

JERR-DAN[®]
RUN HARD[™]

An Oshkosh Corporation Company

**HEAVY-DUTY FIFTH WHEEL
DETACHABLE UNDERLIFT
HDUL-450D**

ADD ON TO THE EFFICIENCY AND EFFECTIVENESS OF YOUR FLEET.



HDUL-450D



LESS WEIGHT. MORE PROFIT.

HDUL-450D

Convert your fleet fifth wheel tractor to a lightweight, profit-making towing machine. This quick, detachable underlift offers all the features of a heavier and more expensive tow truck for a fraction of the cost. Utilizing the positive vertical tilt along with the optional heavy-duty tire lift, you can tow even the most difficult of vehicles. Saving money is making money – and that's what really matters. **Run hard, with the HDUL-450D from Jerr-Dan.**

Top Five Reasons To Make The HDUL-450D Yours

1. Cost effective – save money on fuel, insurance, equipment and expensive equipment maintenance.
2. Same or better lift capacity as most heavy-duty wreckers.
3. Payload capacity – weighs less so you can carry more.
4. Positive vertical tilt allows for immediate clearance of under chassis obstructions.
5. Optional heavy-duty tire lift makes hook-up safer and faster and avoids curb obstruction by loading from the inside out.

Recommended Chassis Requirements:

Minimum Rear GAWR:	40,000 lbs
Minimum Wheelbase:	280"
Recommended Wheelbase:	320"
Maximum Chassis Frame Height:	42"

Detachable Fifth Wheel Mounted Only:

Distance from Top of Fifth Wheel King Plate to Top of Frame:	6"-9"
Distance from Fifth Wheel King Pin to End of Frame:	60"

FEATURES



1. Positive Vertical Tilt
Allows for immediate clearance of under chassis obstructions.



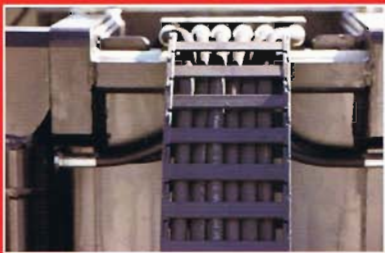
4. Quick Link Attachment
Allows for quick hook-up to any fifth wheel tractor.



2. Heavy-Duty Tire Lift
Offers the fastest and safest operation in the industry. Loads from the inside out to avoid curb interference.



5. Casted Frame Forks
Comes standard with 4 sets of high strength, lightweight forks.



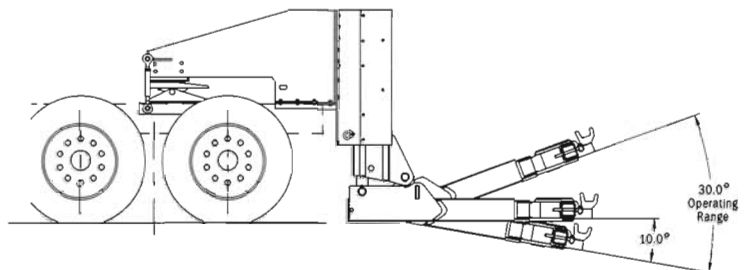
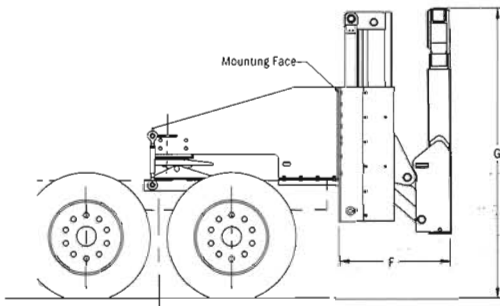
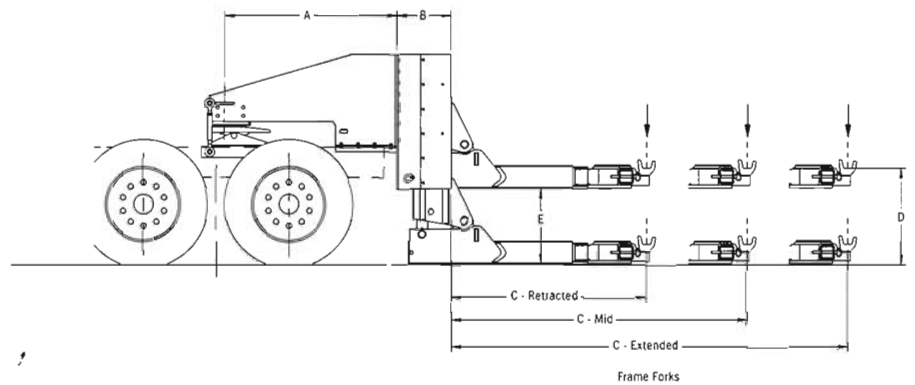
3. Hose Carrier System
Greatly improves the life of the hydraulic hoses.



6. Remote Controls
Shown here with standard wireless remote and optional wired remote controls.

SPECIFICATIONS

		DISTANCE	RATING
A.	King Pin to Mounting Face	62"	
B.	Mounting Face to Rear of Unit (lifting position)	19"	
C.	Reach with Forks	Retracted	69" 45,000 lbs
		Mid	104" 32,000 lbs
		Extended	140" 24,000 lbs
D.	Maximum Horizontal Towing Height with Forks (boom horizontal)	35"	
E.	Vertical Range	27"	
F.	Mounting Face to Rear of Unit (stowed position)	40"	
G.	Height of Unit Stowed	104"	



STANDARD EQUIPMENT

FEATURES		HDUL-450D	
Underlift	Underlift Type	Three Section - Independent	
	Power Tilt and Fold	Positive	20°
		Negative	10°
	Underlift Lift / Tow Rating with Forks	Retracted	45,000 lbs
		Mid	32,000 lbs
		Extended	24,000 lbs
		Reach with Forks (rear of mounting face to centerline of forks)	Retracted
	Maximum Horizontal Towing Height with Forks (boom horizontal)	Mid	104"
		Extended	140"
		Hydraulic Extension	35"
	Vertical Range		71"
	Distance from Mounting Face to Rear of Unit	Lifting Position	27"
		Stowed Position	19"
	Height of Unit Stowed		40"
	Frame Fork Receivers		104"
	Cast Frame Forks		1 Set
	Alloy Tie-Down Chains		4 Sets
Safety Chains (pair) with Built-In Storage Pockets		1 Pair	
		X	
Mounting	Detachable Fifth Wheel Chassis Mounted* – includes parking stand attachments, hold down links and adjustable king pin		X
	Distance from King Pin to Mounting Face		62"
Hydraulic System	Dual Lift Cylinders, Single 2 Stage Tilt Cylinder, Single Piggyback Extended Cylinder with Chrome Plated Rods		X
	Flexible Nylon Carrier Tracking System for Hydraulic Hoses		X
	System Overload Protection Set to 2,500 psi		X
Controls	Wireless Non-Proportional Remote Control System for All Functions		X
	Plug-In Provision for Wired Remote Control		X
Paint	Black Finish		X

OPTIONAL EQUIPMENT

FEATURES		HDUL-450D	
Underlift	Heavy-Duty Tire Lift	Underlift Lift / Tow Rating with Heavy-Duty Tire Lift	
		Retracted	14,000 lbs
		Extended	14,000 lbs
	Reach with Heavy-Duty Tire Lift (rear of mounting face to centerline of tire lift)	Retracted	64"
		Extended	135"
	Maximum Horizontal Towing Height with Heavy-Duty Tire Lift		26"
	Hydraulic Extension		71"
Basket Tire Straps with 2 Ratchets (pairs)		X	
Spring Lift Attachments		X	
Winch	20,000 lb Single Speed Planetary Winch with 9/16" Dia x 150' Long (6 x 37 IWRC RRL EIPS) Galvanized Cable, Cable Air Tensioner, Wireless Remote Control Operated Air Free Spool Release and Cable Guide Sheave		X
Power Supply	Self Contained 12V DC Power System with Dual Motors and Pumps – includes hydraulic tank, quick battery disconnect and heavy-duty battery leads (cannot be used with winch option)		X
Controls	Wired Non-Proportional Remote Control for All Underlift Functions in Addition to Standard Controls		X
Miscellaneous	Small Tie-Down Straps for Heavy-Duty Tire Lift (pair)		X
	78" Long x 21" High x 20" Deep Universal Toolbox with 2 Stainless Steel Door Covers w/Beaver Tail Latches; Rubber Mat; Pair of Mounting Brackets and Hardware; 4" Top Storage Tray and Single Rear LED Stop/Tail/Turn (red) and Single Front LED Marker (amber) Lights		X
	Magnetic or Suction/Magnetic Tow Light Kit with Case		X
	Extended Hold-Down Link ILO Standard Hold-Down Link (for fifth wheel heights greater than 7" from top of frame)		X

*Hydraulic reservoir, power take-off, pump, hydraulic lines to valve and quick disconnects not supplied.

All equipment ratings specified are based on structural capacity only and comply with SAE J2012 and 1706 Recommended Practices and may be limited by the axle rating and Gross Vehicle Weight Rating of the truck chassis.

All dimensions are based on a 42" truck frame height and are rounded to the nearest inch. Values are subject to change without notice. All measurements and ratings are nominal values.

The payload and towing capacity of any towing vehicle must meet the following: The actual payload on the towing vehicle must not exceed the posted rating and the towed vehicle load must not exceed the posted lift/towing ratings; the total weight of the towing vehicle (cab, chassis, body, payload, driver, passenger(s), tools, fuel, etc.) and the towed vehicle load must not exceed the GVWR (Gross Vehicle Weight Rating) of the towing vehicle; the total weight of the towing vehicle and a towed vehicle load must be distributed so that each axle's GAWR (Gross Axle Weight Rating) is not exceeded; the total weight of the towing vehicle and towed vehicle (everything that moves with the towing vehicle) must not exceed the GCWR (Gross Combination Weight Rating) of the towing vehicle. Staying within these ratings is necessary to maintain the safety and performance of the towing vehicle.

Manufactured under one or more of the following patents: 5,523,735 and 6,036,428 with other Patents Pending.

Specifications, descriptions and illustrative material contained within this literature are as accurate as known at the time of publication, but are subject to change, without notice, as a result of continuous product improvements. Illustrations may include optional equipment and accessories and may not include all standard equipment. Always check with an authorized sales representative or call 800-926-9666 for current information.

Jerr-Dan and the Jerr-Dan logo are registered trademarks of Jerr-Dan Corporation, Greencastle, PA USA.

©Copyright Jerr-Dan Corporation, 1080 Hayes Road, Greencastle, PA 17226 - 800-926-9666 - 717-597-7111 - Fax: 717-593-6183 - www.jerr-dan.com.

JD-0006-HDUL
11/08

JERR-DAN
RUN HARD™

An Oshkosh Corporation Company