

**JERR-DAN**  
RUN HARD

# SRS SIDE RECOVERY SYSTEM

**CARRIER CAPACITY, WRECKER ABILITY.  
TWO JOBS, ONE VERSATILE TRUCK.**



An Oshkosh Truck Corporation Company

## SRS - SIDE RECOVERY SYSTEM



### VERSATILITY OF TWO IN ONE.

#### SRS - Side Recovery System.

The Jerr-Dan Side Recovery System is engineered and built for the most demanding runs. It's a carrier and wrecker all in one unit and delivers the ultimate in versatility. It's the largest and strongest in its class. It's almost fifty percent bigger and stronger than the leading competitor - and it still fits within a 12" envelope. Standard Hydraulic Stabilizer legs assure fit with varying frame heights. The patent pending Pivoting Recovery Boom offers a swivel feature that allows recovery from either side. The patent pending Independent Hide-Away Flip Down Claw/Spade with Dual Stabilizing creates a solid foundation for any type of surface. With the boom locked into pulling position, the SRS is structurally capable of pulling from the front, side or rear - unlike the competition. So you can recover. You can tow. You can run hard.

### Top SIX Reasons To Make The SRS Yours

1. Versatility - you have a Carrier and Wrecker all in one unit.
2. The patent pending Pivoting Recovery Boom makes recovery from either side of the vehicle safe and easy.
3. The Independent Hide-Away Flip Down Claw/Spade with Dual Stabilizing feature allows for greater strength and stability. (patent pending)
4. Standard hydraulic stabilizer legs allow the unit to fit varying frame heights from 32" to 42".
5. The largest and strongest in its class - 6 x 6 outer support tubes and 5 x 5 high strength stabilizer legs.
6. With the boom locked into pulling position, the SRS is structurally capable of pulling at any angle - forward, sideways and rearward - unlike competitive units.

# FEATURES



## 1. Fully Adjustable Light Pylon

Comes standard and easily adjusts to all popular chassis cab heights.



## 4. Independent Hide-Away Flip Down Claw/Spade With Stabilizing Feature

Allows for greater strength and stability. Also alleviates need for wood blocks to prevent road damage or bolt-on attachments to break through ice.



## 2. 8,000 lbs / 10,000 lbs High Speed, Planetary Winch

Designed to fit 8,000 and 10,000 lbs capacity planetary winches. Upgrading is easy for even greater profit potential.



## 5. Pivoting Recovery Boom

Easily recover from either side of the vehicle. A simple pin release allows the boom to swing from one side to the other.



## 3. Hydraulic Stabilizer Legs

Fits varying frame sizes from 32" to 42".



## 6. Wireless Remote Control System

This standard feature allows operators to maintain a safe distance during recovery.

# SPECIFICATIONS

**Structural Capacity** 10,000 lbs

**Winch Capacity**  
SRS-8 8,000 lbs  
SRS-10 10,000 lbs

**Wire Rope**  
SRS-8 3/8" dia x 100 ft  
SRS-10 7/16" dia x 75 ft

**Weight (Complete Unit)** 1,200 lbs

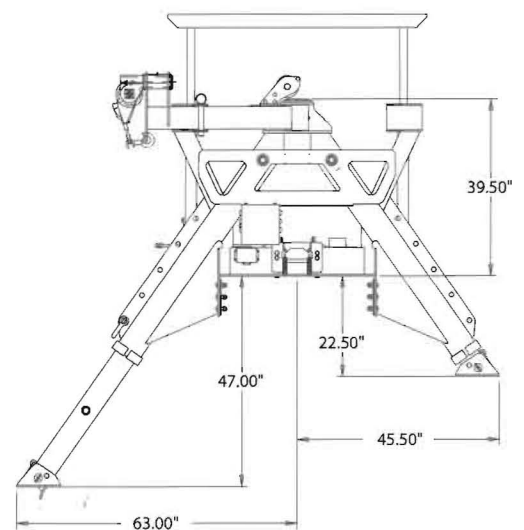
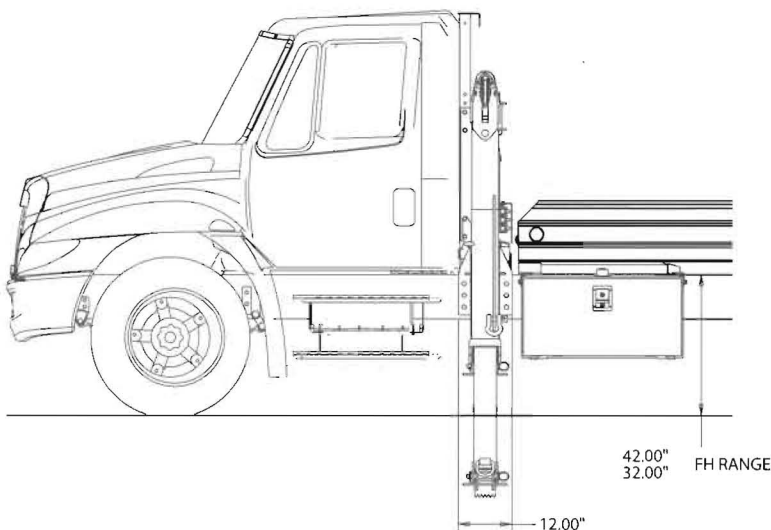
### Chassis Requirements

Minimum GVWR 19,500 lbs  
Additional CA (CAB TO AXLE) 12"

Carrier Minimum CA with Wheel Lift	19'	132"
	20'	144"
	21'	156"
	22'	156"
	24'	174"
	26'	198"
28'	222"	

Frame Height Range 32"-42"  
Frame Minimum Total RBM 900,000 in-lbs

**\*All foreign chassis installations must be approved by Jerr-Dan engineering due to frame rail obstructions.**



## STANDARD EQUIPMENT

- 8,000 LB OR 10,000 LB HIGH SPEED PLANETARY WINCH
- WINCH CABLE TENSIONER
- EASY ACCESS WINCH REMOTE FREE SPOOL RELEASE
- INDEPENDENT HYDRAULIC STABILIZER LEGS
- QUICK SWITCH PIVOTING RECOVERY BOOM (NO ASSEMBLY REQUIRED - PATENT PENDING)
- TWELVE TIE-BACK LOCATIONS
- SNATCH BLOCK AND GALVANIZED SHACKLE
- INDEPENDENT HIDE-AWAY FLIP DOWN CLAW/SPADE WITH DUAL STABILIZING FEATURE (PATENT PENDING)
- WIRELESS REMOTE CONTROL SYSTEM FOR ALL FUNCTIONS (WITH MANUAL OVERRIDES)
- CUSTOM HYDRAULIC MANIFOLD FOR IN-LINE STRAIGHT-FORWARD HOSE ROUTING
- FULLY ADJUSTABLE LIGHT PYLON ADAPTS TO ALL POPULAR CHASSIS CAB HEIGHTS
- MECHANICAL/HYDRAULIC LOCKING FEATURES ON ALL FUNCTIONS FOR IMPROVED SAFETY
- PAINTED BLACK (CUSTOM COLORS AVAILABLE)

All equipment capacities specified are based on structural capacity only and comply with 442 (199) Recommended Practices. Actual capacities may be limited by the capacity of the chassis and equipment attached.  
All measurements and capacities are nominal values.  
All weights shown apply to a maximum 12" behind the cab of the chassis and be free of all air tanks, battery boxes, fuel tanks, etc.

#### Patent Pending

Specifications, equipment and features listed herein are subject to change without notice at the time of publication, but are subject to change without notice as a result of continuous product improvements.  
Illustrations may include optional equipment and accessories and may not include all standard equipment. Always check with an authorized sales representative or call 800-425-8000 for current information.

Jerr-Dan and the Jerr-Dan logo are registered trademarks of Jerr-Dan Corporation, Greenfield, IN USA. © Copyright Jerr-Dan Corporation, 1180 Hoke Road, Greenfield, IN 47122  
800-425-8000 • 717-851-1111 • Fax: 717-852-0192 • [www.jerr-dan.com](http://www.jerr-dan.com)