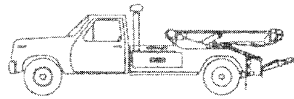
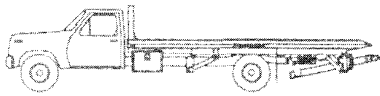
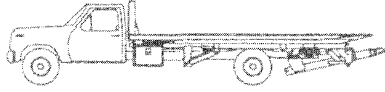
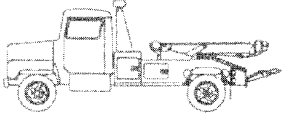


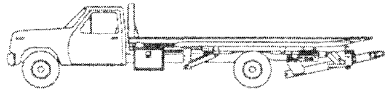
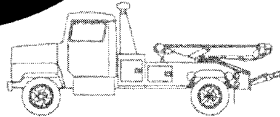
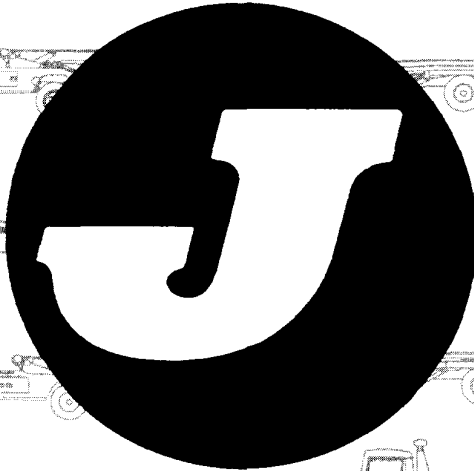
\$35.00



**EPG™ 35**



**OPERATIONS, MAINTENANCE,  
AND PARTS MANUAL**



**JERR-DAN®  
CORP.**

1080 Hykes Road  
Greencastle, PA 17225

Phone (717) 597-7111

AB-KG

Part Number 5-376-000026

---

**EPG™35  
WHEEL LIFT SYSTEM  
PARTS**

AB-KG

B-1

Part Number 5-376-000028

**PARTS LIST - SUBFRAME**

| Ref. No.        | Part No.        | Description                | Qty. |
|-----------------|-----------------|----------------------------|------|
| 1               | 3502700001      | Subframe                   | 1    |
| 2               | 7950180161      | Flatwasher                 | 16   |
| 3               | 7660182301      | Locknut                    | 12   |
| 4               | 7115181250      | Capscrew                   | 12   |
| 5               | 3178000154      | Bracket                    | 2    |
| 6               | 4017000387      | Angle                      | 1    |
| 7               | 3750000010      | Oil Reservoir Assembly     | 1    |
| 8               | 7551000002(A)   | Knob (Black)               | 10   |
|                 | 7551000002(B)   | Knob (Black)               | 12   |
|                 | 7551000002(C)   | Knob (Black)               | 6    |
|                 | 7551000002(D)   | Knob (Black)               | 4    |
| 9               | 3062000002(B)   | Bar                        | 1    |
| 10              | 3062000003(ABC) | Bar                        | 1    |
| 11              | 3062000005(AB)  | Bar                        | 1    |
| 12              | 4763000186      | Control Rod                | 1    |
| 13              | 4763000187      | Control Rod                | 1    |
| 14              | 4763000188      | Control Rod                | 1    |
| 15              | 7690021610      | Cotter Pin                 | 3    |
| 16              | 4763000154      | Rod                        | 7    |
| 17              | 7990000003(A)   | End Yoke w/Clevis & Cotter | 6    |
|                 | 7990000003(B)   | End Yoke w/Clevis & Cotter | 7    |
|                 | 7990000003(C)   | End Yoke w/Clevis & Cotter | 4    |
|                 | 7990000003(D)   | End Yoke w/Clevis & Cotter | 3    |
| 18              | 7660140230(A)   | Jam Nut                    | 6    |
|                 | 7660140230(B)   | Jam Nut                    | 7    |
|                 | 7660140230(C)   | Jam Nut                    | 4    |
|                 | 7660140230(D)   | Jam Nut                    | 3    |
| 19              | 7765000006(A)   | Spade Bolt                 | 6    |
|                 | 7765000006(B)   | Spade Bolt                 | 7    |
|                 | 7765000006(C)   | Spade Bolt                 | 4    |
|                 | 7765000006(D)   | Spade Bolt                 | 3    |
| 20              | 4935000053      | Valve                      | 1    |
| 21              | 7690141200(A)   | Clevis Pin                 | 3    |
|                 | 7690141200(B)   | Clevis Pin                 | 4    |
|                 | 7690141200(C)   | Clevis Pin                 | 1    |
| 22              | 7690000810(A)   | Cotter Pin                 | 3    |
|                 | 7690000810(B)   | Cotter Pin                 | 4    |
|                 | 7690000810(C)   | Cotter Pin                 | 1    |
| 23              | 7115162850      | Capscrew                   | 2    |
| 24              | 7950160252      | Flatwasher                 | 3    |
| 25              | 7660162601      | Locknut                    | 3    |
| 26              | 7660182601      | Locknut                    | 4    |
| 27              | 4763000150      | Handle Rod                 | 6    |
| 28              | 4763000151(A)   | Handle Rod                 | 6    |
|                 | 4763000151(B)   | Handle Rod                 | 8    |
|                 | 4763000151(C)   | Handle Rod                 | 2    |
| 29 <sup>1</sup> | 3750000009      | Oil Reservoir              | 1    |
| 30 <sup>1</sup> | 7470000001      | Dipstick                   | 1    |
| 31 <sup>1</sup> | 7430000003      | Oil Filter Assembly        | 1    |
| 32 <sup>1</sup> | 7701000025      | Plug                       | 1    |
| 33 <sup>1</sup> | 7701000026      | Plug                       | 1    |

Rev. \_\_\_\_\_

B-3

Date \_\_\_\_\_

---

**PARTS LIST - SUBFRAME (Continued)**

| <b>Ref. No.</b> | <b>Part No.</b> | <b>Description</b> | <b>Qty.</b> |
|-----------------|-----------------|--------------------|-------------|
| 34 <sup>1</sup> | 7431000001      | Filter Element     | 1           |
| 35              | 7551000003      | Knob (Red)         | 2           |
| 36              | 3062000001(AB)  | Bar                | 1           |
| 37              | 7660160000(A)   | Hex Nut            | 6           |
|                 | 7660160000(B)   | Hex Nut            | 7           |
|                 | 7660160000(C)   | Hex Nut            | 4           |
|                 | 7660160000(D)   | Hex Nut            | 3           |
| 38              | 4831000056      | Bar                | 1           |
| 39              | 7115161450      | Capscrew           | 1           |

- A - Application with Single Winch Wrecker Boom
- B - Application with Dual Winch Wrecker Boom
- C - Application with Deck Mounted Winch
- D - Application with Wheel Lift only

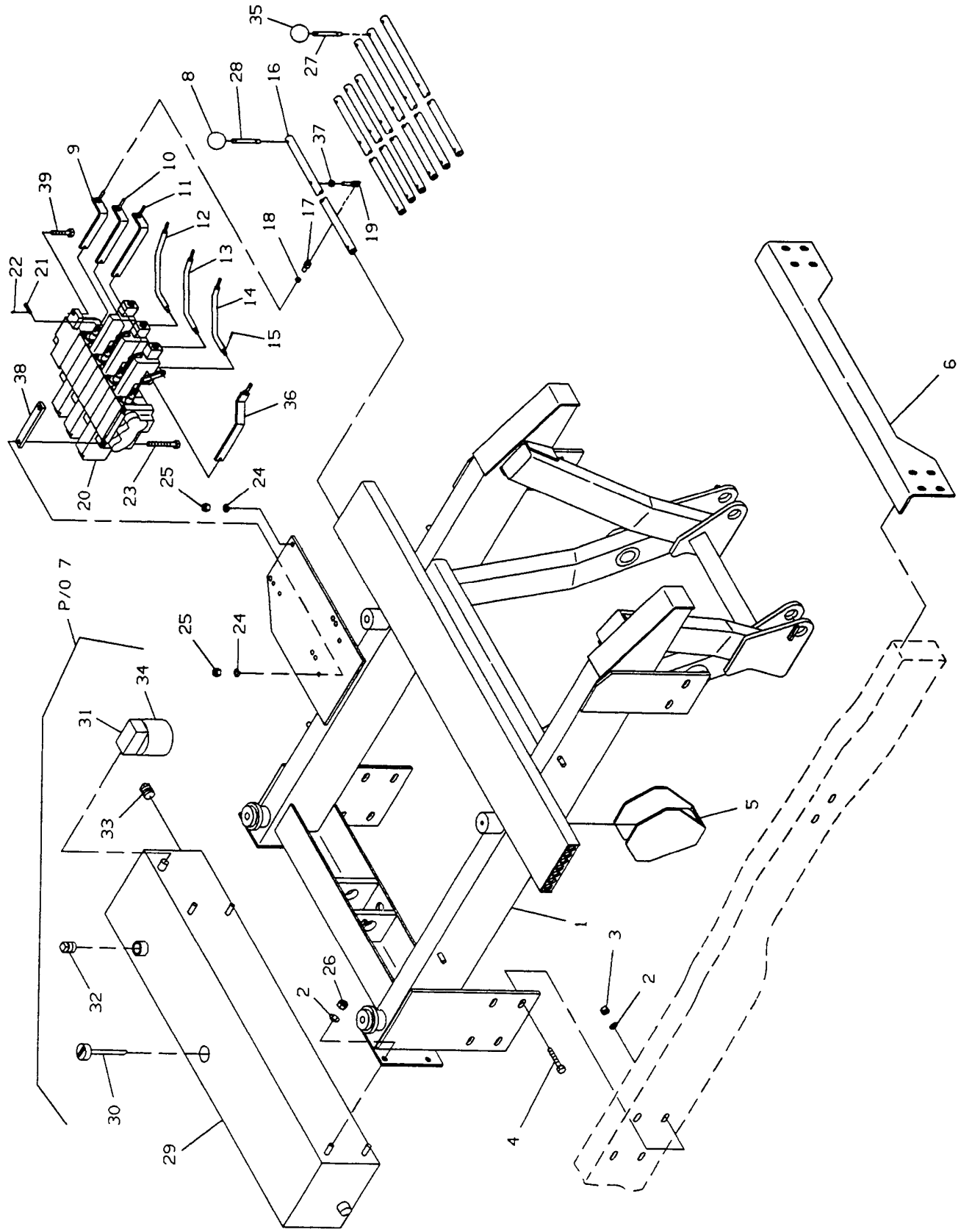
<sup>1</sup> Part of item 7 (Oil Reservoir Assembly)

Rev. \_\_\_\_\_

B-4

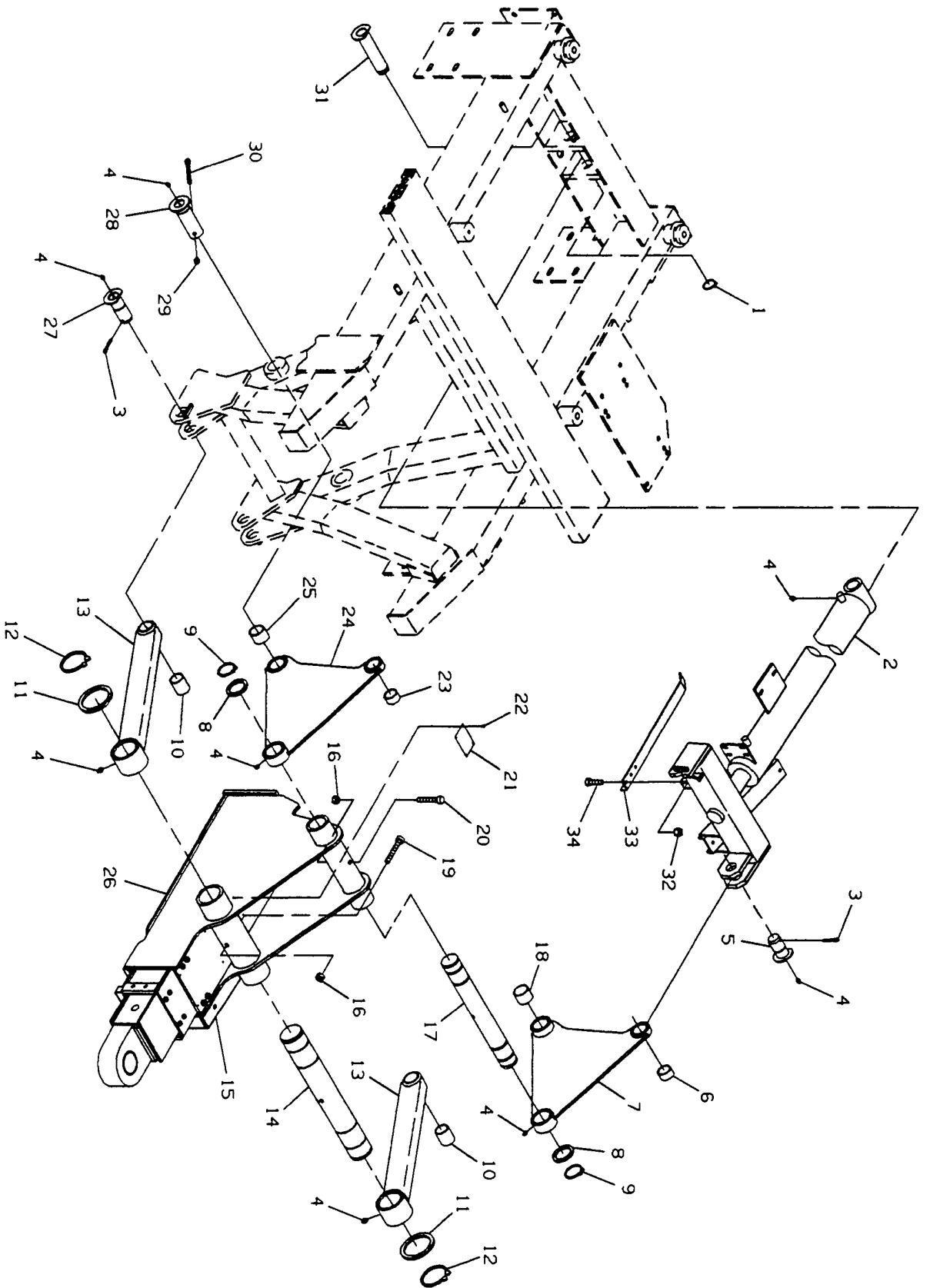
Date \_\_\_\_\_

SUBFRAME



Rev. \_\_\_\_\_  
Date \_\_\_\_\_

WHEEL LIFT BOOM



**PARTS LIST - WHEEL LIFT BOOM**

| <b>Ref. No.</b> | <b>Part No.</b>         | <b>Description</b>       | <b>Qty.</b> |
|-----------------|-------------------------|--------------------------|-------------|
| 1               | 7754000033              | Retaining Ring           | 1           |
| 2               | 3320000052              | Wheel Lift Lift Cylinder | 1           |
| 3               | 7690103210              | Cotter Pin               | 4           |
| 4               | 7440030000              | Grease Fitting           | 13          |
| 5               | 3691000060              | Pin                      | 2           |
| 6               | 7209000001 <sup>1</sup> | Bronze Bushing           | 1           |
| 7               | 3512100017              | Arm Weldment, RH         | 1           |
| 8               | 4949000019              | Washer                   | 2           |
| 9               | 7754000017              | Retaining Ring           | 2           |
| 10              | 7209000003 <sup>2</sup> | Bronze Bushing           | 2           |
| 11              | 4949000018              | Washer                   | 2           |
| 12              | 7754000018              | Retaining Ring           | 2           |
| 13              | 3913000044              | Tube Weldment            | 2           |
| 14              | 4691000197              | Pin                      | 1           |
| 15              | 3509870002              | Hose Retractor           | 1           |
| 16              | 7660182601              | Locknut                  | 2           |
| 17              | 4691000054              | Pin                      | 1           |
| 18              | 7209000015 <sup>1</sup> | Bronze Bushing           | 1           |
| 19              | 7115183650              | Hex Head Capscrew        | 1           |
| 20              | 7115183250              | Hex Head Capscrew        | 1           |
| 21              | 7330000001              | Nameplate                | 1           |
| 22              | 7759000004              | Rivet                    | 4           |
| 23              | 7209000001 <sup>3</sup> | Bronze Bushing           | 1           |
| 24              | 3512100018              | Arm Weldment, LH         | 1           |
| 25              | 7209000015 <sup>3</sup> | Bronze Bushing           | 1           |
| 26              | 3509870001              | 3 Stage Boom Assembly    | 1           |
| 27              | 3691000066              | Pin                      | 2           |
| 28              | 3691000086              | Pin                      | 2           |
| 29              | 7660162601              | Locknut                  | 2           |
| 30              | 7115162650              | Hex Head Capscrew        | 2           |
| 31              | 3691000063              | Pin                      | 1           |
| 32              | 7660152600              | Locknut                  | 2           |
| 33              | 4706001535              | Plate                    | 1           |
| 34              | 7115150625              | Machine Screw            | 2           |

<sup>1</sup> Part of item 7 (Arm Weldment, RH)

<sup>2</sup> Part of item 13 (Tube Weldment)

<sup>3</sup> Part of item 24 (Arm Weldment, LH)

Rev. \_\_\_\_\_

Date \_\_\_\_\_

**PARTS LIST - 3 STAGE BOOM ASSEMBLY**

| <b>Ref. No.</b> | <b>Part No.</b>         | <b>Description</b> | <b>Qty.</b> |
|-----------------|-------------------------|--------------------|-------------|
| 1               | 3170000083              | Base Section       | 1           |
| 2               | 7120000023              | Button Head Screw  | 8           |
| 3               | 7950140161              | Flatwasher         | 8           |
| 4               | 4062000129              | Bar                | 1           |
| 5               | 4679000102              | Pad                | 1           |
| 6               | 7660142600              | Locknut            | 2           |
| 7               | 4691000191              | Pin                | 2           |
| 8               | 7950180000              | Lockwasher         | 4           |
| 9               | 7115181450              | Hex Head Capscrew  | 4           |
| 10              | 7115141450              | Hex Head Capscrew  | 2           |
| 11              | 3209000008              | Bushing Weldment   | 2           |
| 12              | 4831000053              | Spacer             | 1           |
| 13              | 4831000057              | Spacer             | 1           |
| 14              | 7320000005              | Extension Cylinder | 1           |
| 15              | 7440030000              | Grease Fitting     | 1           |
| 16              | 4831000058              | Spacer             | 1           |
| 17              | 4831000054              | Spacer             | 1           |
| 18              | 4831000055              | Spacer             | 2           |
| 19              | 7950200959              | Flatwasher         | 2           |
| 20              | 7118201616              | Hex Head Screw     | 2           |
| 21              | 7118140423              | Flat Head Capscrew | 2           |
| 22              | 4679000103              | Pad                | 1           |
| 23              | 4062000128              | Bar                | 1           |
| 24              | 4679000100              | Pad                | 1           |
| 25              | 4679000101              | Pad                | 1           |
| 26              | 7754000019              | Retaining Ring     | 2           |
| 27              | 7211000001 <sup>1</sup> | Bushing            | 1           |
| 28              | 4691000190              | Pin                | 1           |
| 29              | 3170000081              | Fly Boom           | 1           |
| 30              | 3170000082              | Mid Section        | 1           |

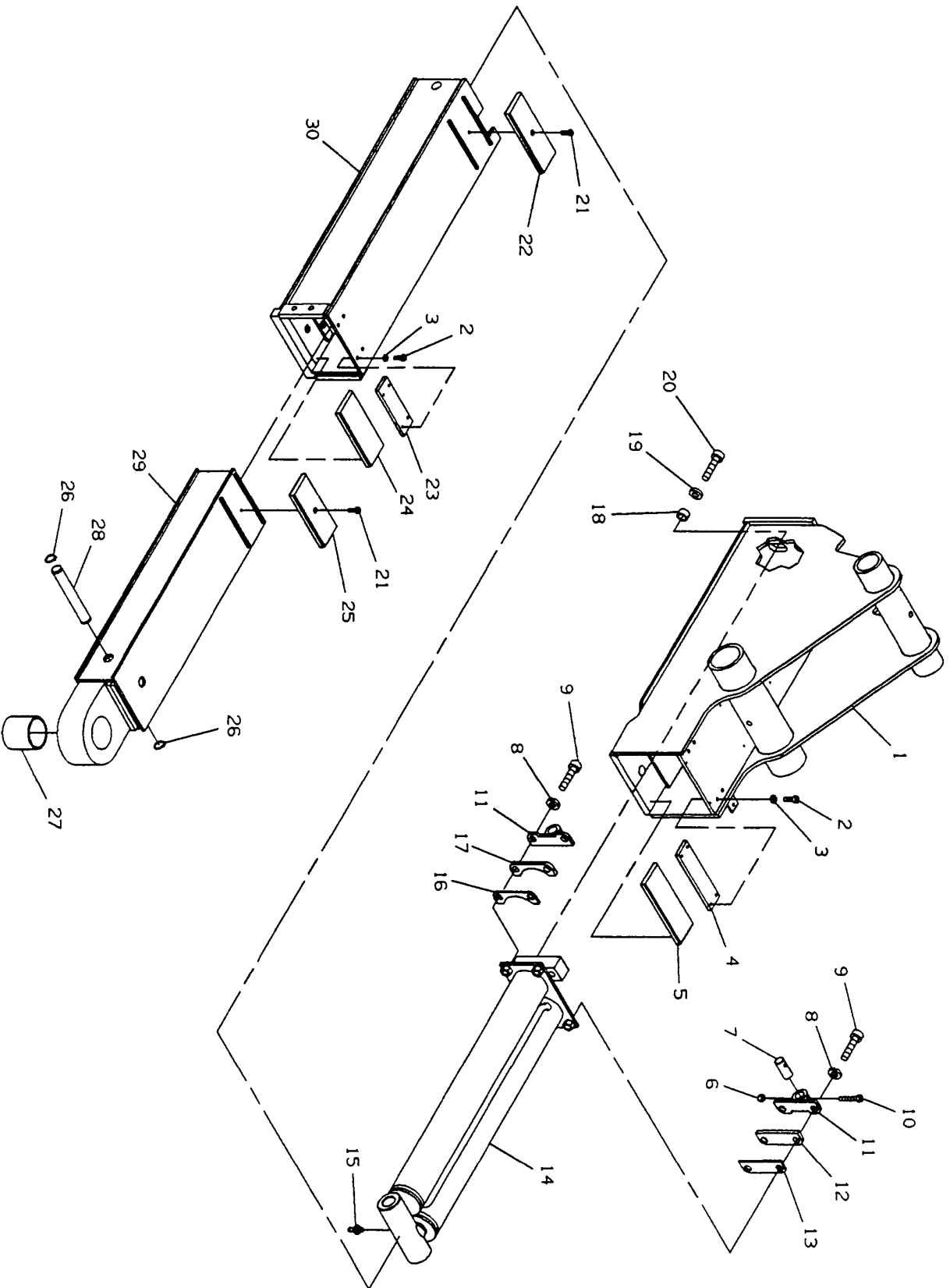
<sup>1</sup> Part of item 29 (Fly Boom)

Rev. \_\_\_\_\_

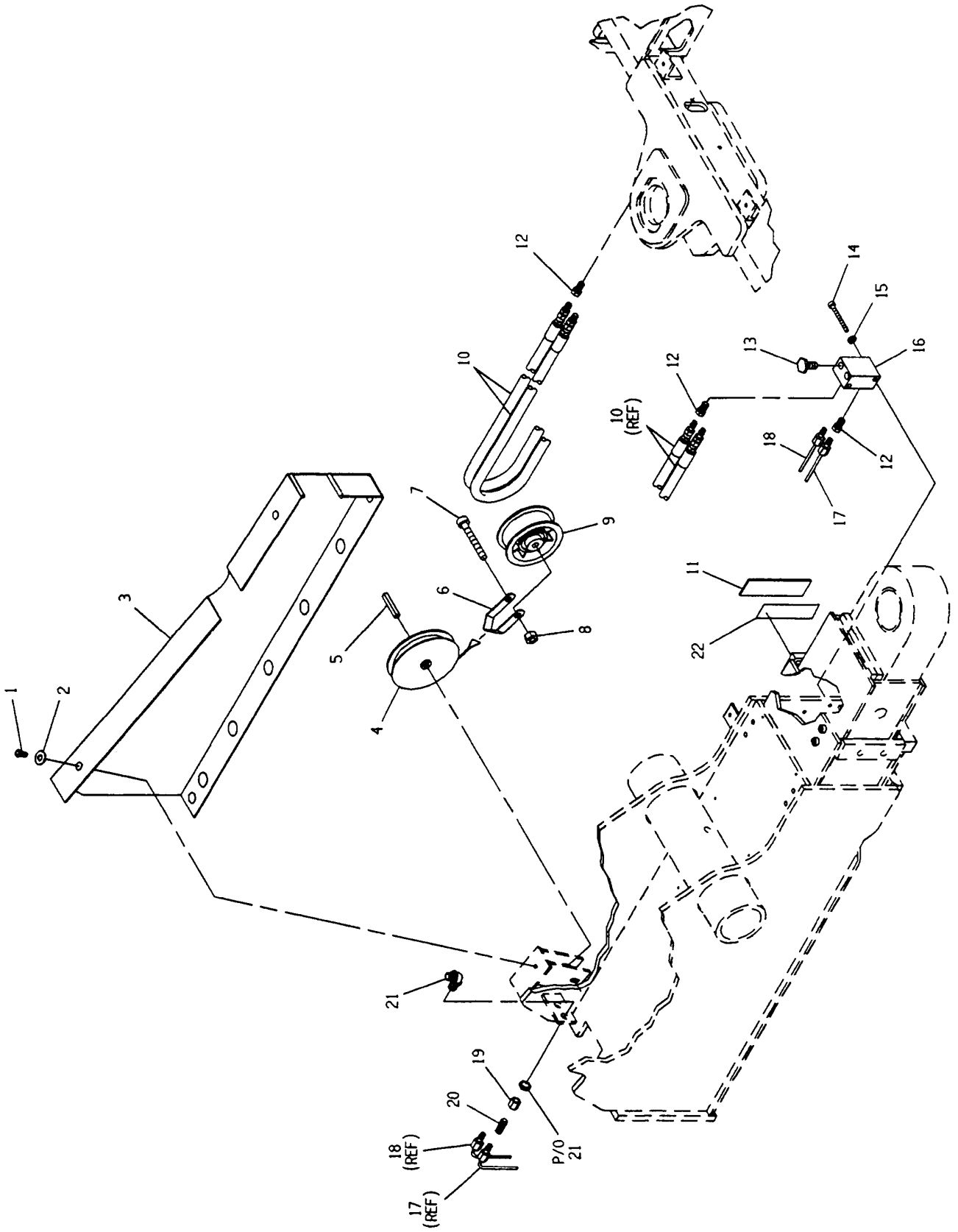
B-8

Date \_\_\_\_\_

# 3 STAGE BOOM ASSEMBLY



# HOSE RETRACTOR



Rev. \_\_\_\_\_  
Date \_\_\_\_\_

---

**PARTS LIST - HOSE RETRACTOR**

| <b>Ref. No.</b> | <b>Part No.</b> | <b>Description</b>   | <b>Qty.</b> |
|-----------------|-----------------|----------------------|-------------|
| 1               | 7118140418      | Capscrew             | 4           |
| 2               | 7950140161      | Flatwasher           | 4           |
| 3               | 3314000009      | Cover Plate          | 1           |
| 4               | 7732000001      | Spring Reel          | 1           |
| 5               | 4575101700      | Keystock             | 1           |
| 6               | 4706001525      | Plate                | 1           |
| 7               | 7115161650      | Hex Head Capscrew    | 1           |
| 8               | 7661000021      | Locknut              | 1           |
| 9               | 7719000002      | Pulley               | 1           |
| 10              | 3570000002      | Hose Assembly (Pair) | 1           |
| 11              | 4679000105      | Wear Pad             | 1           |
| 12              | 7445040443      | Adapter              | 6           |
| 13              | 7443000114      | Plug                 | 2           |
| 14              | 7115141850      | Hex Head Capscrew    | 2           |
| 15              | 7950140000      | Lockwasher           | 2           |
| 16              | 4619000004      | Manifold             | 1           |
| 17              | 7912000032      | Tube Assembly        | 1           |
| 18              | 7912000033      | Tube Assembly        | 1           |
| 19              | 7443000106      | Reducer Nut          | 2           |
| 20              | 7443000105      | Reducer              | 2           |
| 21              | 7445060631      | Elbow - 90°          | 2           |
| 22              | 4892000006      | Adhesive Tape        | 1           |

Rev. \_\_\_\_\_

B-11

Date \_\_\_\_\_

**PARTS LIST - WHEEL LIFT BOOM EXTENSION CYLINDER  
732000005**

| <b>Ref. No.</b> | <b>Part No.</b>         | <b>Description</b> | <b>Qty.</b> |
|-----------------|-------------------------|--------------------|-------------|
| 1               | 9763250005              | Rod-Tube Assembly  | 1           |
| 2               | 9796250036 <sup>1</sup> | Wiper Seal         | 2           |
| 3               | 9796250037 <sup>1</sup> | Rod Seal           | 2           |
| 4               | 9553250002              | Head               | 1           |
| 5               | 9754250005 <sup>1</sup> | Back-up Ring       | 2           |
| 6               | 9796250039 <sup>1</sup> | O-Ring             | 2           |
| 7               | 9796250040 <sup>1</sup> | O-Ring             | 2           |
| 8               | 9698250001              | Piston             | 2           |
| 9               | 9796250038 <sup>1</sup> | Piston Seal        | 2           |
| 10              | 9754250006 <sup>1</sup> | Wear Ring          | 2           |
| 11              | 9661250013              | Locknut            | 2           |
| 12              | 9912250003              | Tube Assembly      | 1           |
| 13              | 9763250004              | Rod Assembly       | 1           |
| 14              | 9754250007 <sup>1</sup> | Wear Ring          | 2           |
| 15              | 9553250001              | Head               | 1           |

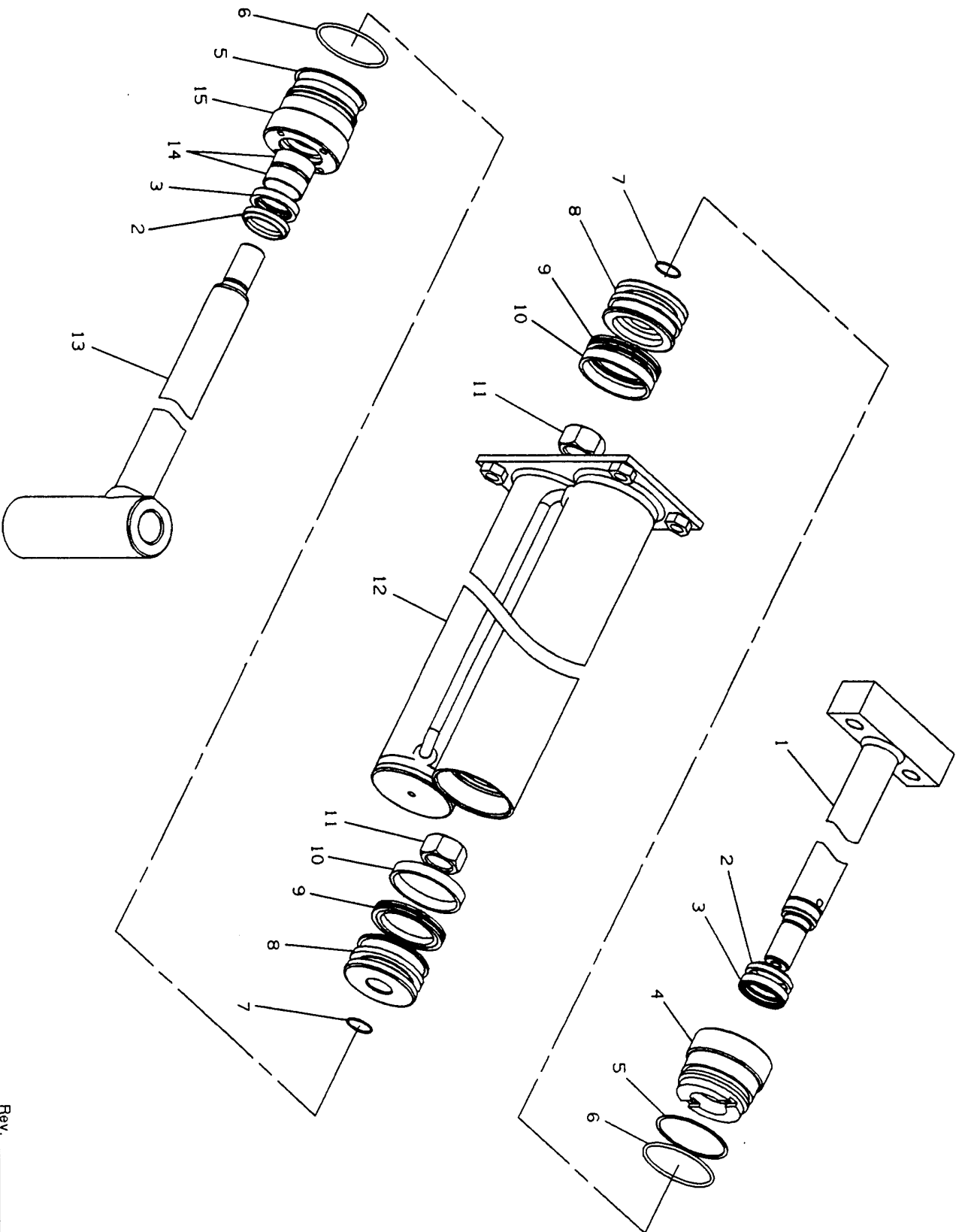
<sup>1</sup> Available Only in Seal Kit No. 9577250091

Rev. \_\_\_\_\_

B-12

Date \_\_\_\_\_

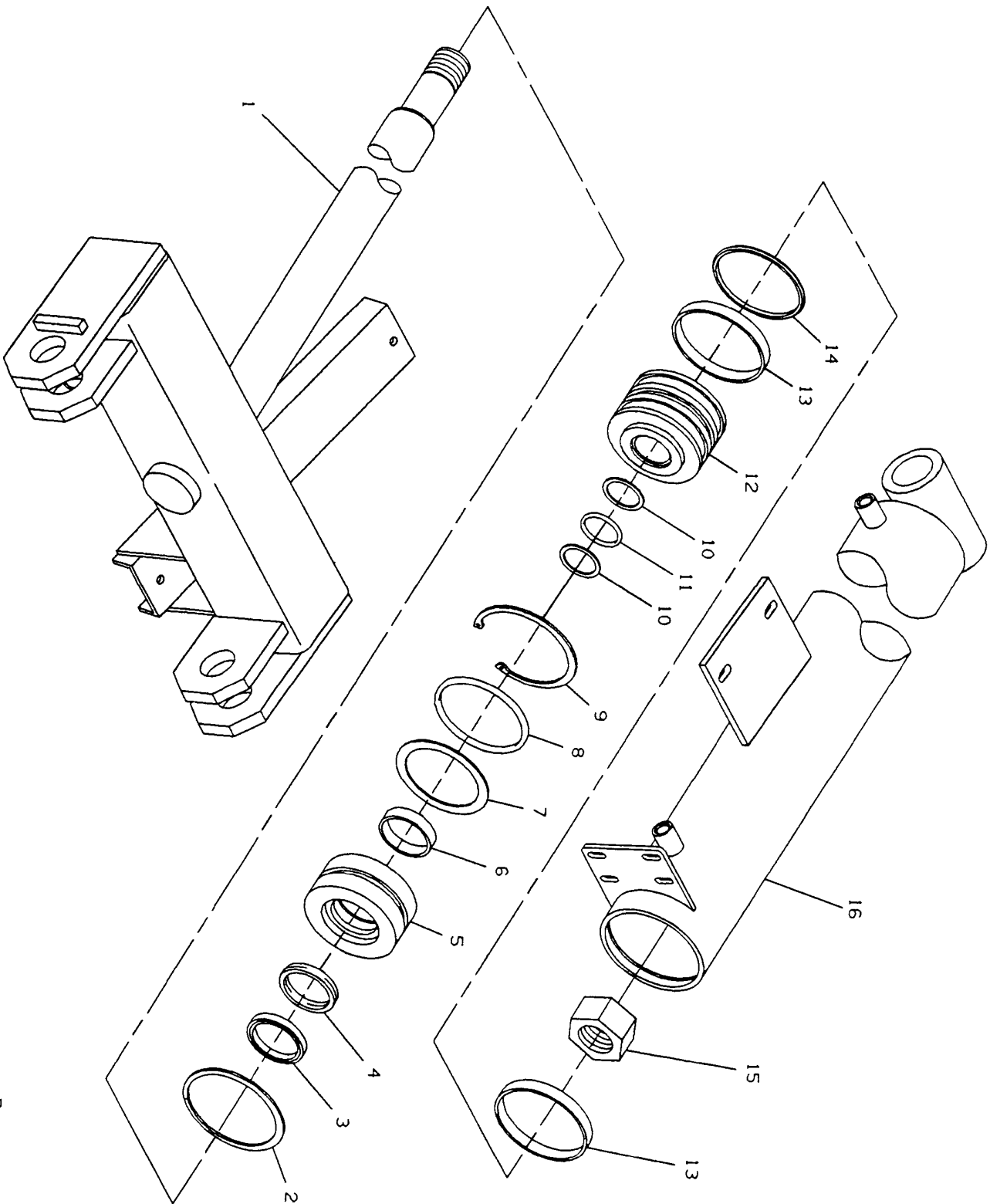
WHEEL LIFT BOOM EXTENSION CYLINDER  
732000005



B-13

Rev. \_\_\_\_\_  
Date \_\_\_\_\_

WHEEL LIFT LIFT CYLINDER  
3320000052



**PARTS LIST - WHEEL LIFT LIFT CYLINDER  
332000052**

| <b>Ref. No.</b> | <b>Part No.</b>         | <b>Description</b> | <b>Qty.</b> |
|-----------------|-------------------------|--------------------|-------------|
| 1               | 3763000070              | Cylinder Rod       | 1           |
| 2               | 7754000027              | Retaining Ring     | 1           |
| 3               | 7796000011 <sup>1</sup> | Rod Wiper Seal     | 1           |
| 4               | 7796000025 <sup>1</sup> | Rod Seal           | 1           |
| 5               | 4553000010              | Aluminum Head      | 1           |
| 6               | 7754000012 <sup>1</sup> | Piston Wear Ring   | 1           |
| 7               | 7755338609 <sup>1</sup> | Backup Ring        | 1           |
| 8               | 7755338000 <sup>1</sup> | O-Ring             | 1           |
| 9               | 7754000016              | Retaining Ring     | 1           |
| 10              | 7755226609 <sup>1</sup> | Backup Ring        | 2           |
| 11              | 7755226000 <sup>1</sup> | O-Ring             | 1           |
| 12              | 4698000009              | Piston             | 1           |
| 13              | 7796000013 <sup>1</sup> | Wear Ring          | 2           |
| 14              | 7796000014              | Piston Seal        | 1           |
| 15              | 7660342031              | Locknut            | 1           |
| 16              | 3071000049              | Barrel             | 1           |

<sup>1</sup> Available Only in Service Kit No. 7577250043

Rev. \_\_\_\_\_

B-15

Date \_\_\_\_\_

**PARTS LIST - HYDRAULIC COMPONENTS**

| Ref. No. | Part No.   | Description       | Qty. |
|----------|------------|-------------------|------|
| 1        | **         | Fitting           |      |
| 2        | **         | Fitting           |      |
| 3        | **         | Fitting           |      |
| 4        | **         | Pressure Hose     | 1    |
| 5        | **         | Fitting           |      |
| 6        | 7445040443 | Adapter           | 6    |
| 7        | 7445040447 | Branch Tee        | 1    |
| 8        | 4570000066 | Hose Assembly     | 4    |
| 9        | 7443000052 | Branch Tee        | 1    |
| 10       | 7443000114 | O-Ring Plug       | 2    |
| 11       | 4619000003 | Manifold          | 1    |
| 12       | 7115141250 | Hex Head Capscrew | 2    |
| 13       | 7950140000 | Lockwasher        | 2    |
| 14       | **         | Suction Hose      | 1    |
| 15       | 7111151650 | Hex Head Capscrew | 4    |
| 16       | 7660152600 | Locknut           | 4    |
| 17       | 4567320085 | Hose Assembly     | 4    |
| 18       | 7445040643 | Adapter           | 3    |
| 19       | 7445060645 | Elbow - 90°       | 9    |
| 20       | 7935000001 | Sun Check Valve   | 1    |
| 21       | 7950150161 | Flatwasher        | 4    |
| 22       | 4567112012 | Hose Assembly     | 1    |
| 23       | 7443000105 | Reducer           | 1    |
| 24       | 7443000106 | Reducer Nut       | 1    |
| 25       | 7445060647 | Branch Tee        | 1    |
| 26       | 7445060672 | Elbow - 90°       | 1    |
| 27       | 4567113013 | Hose Assembly     | 1    |
| 28       | 7445040645 | Elbow - 90°       | 2    |
| 29       | 7912000034 | Tube Assembly     | 1    |
| 30       | 7935000105 | Sun Valve         | 1    |
| 31       | 7912000017 | Tube Assembly     | 1    |
| 32       | 7445040445 | Elbow - 90°       | 1    |
| 33       | 4567320044 | Hose Assembly     | 2    |
| 34       | 7443000128 | Restrictor        | 1    |
| 35       | 7443000129 | Reducer           | 6    |
| 36       | 7445121243 | Adapter           | 1    |
| 37       | 4567362029 | Hose Assembly     | 1    |
| 38       | 7445121619 | Adapter           | 1    |
| 39       | **         | Fitting           |      |
| 40       | **         | Fitting           |      |

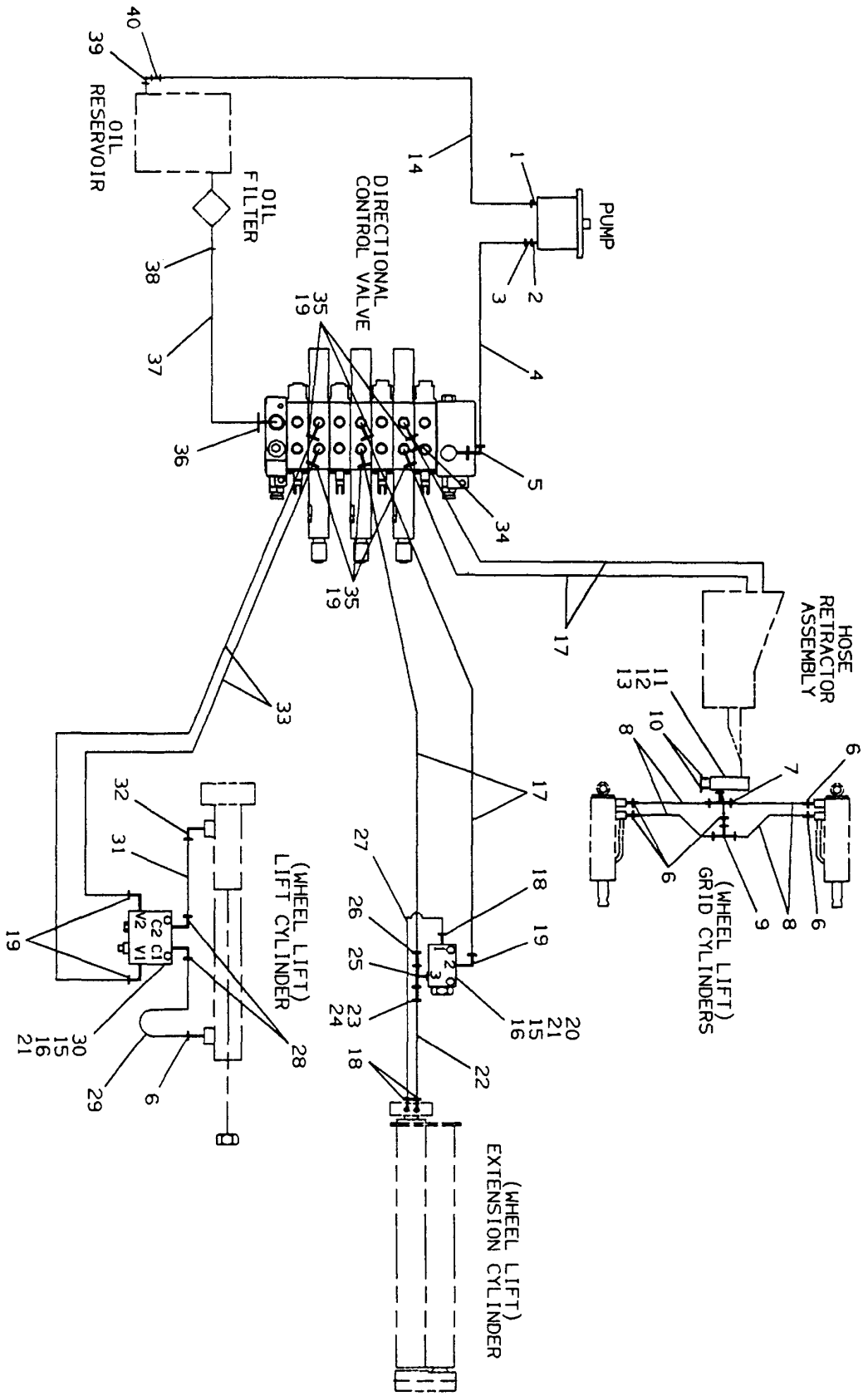
\*\* Consult Factory for Part Numbers and Quantities

Rev. \_\_\_\_\_

B-16

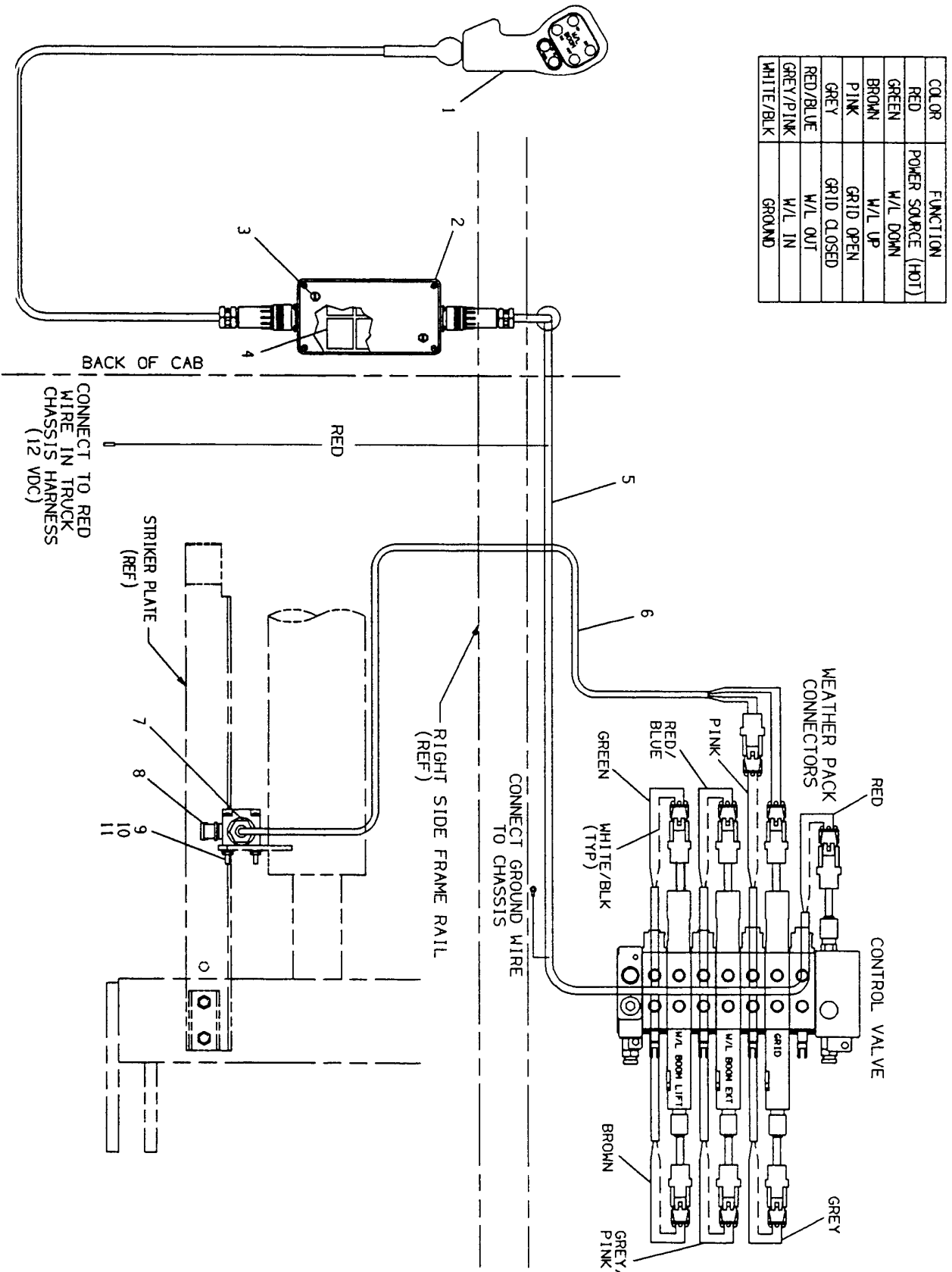
Date \_\_\_\_\_

HYDRAULIC COMPONENTS



# REMOTE CONTROL SCHEMATIC

| COLOR     | FUNCTION           |
|-----------|--------------------|
| RED       | POWER SOURCE (HOT) |
| GREEN     | W/L DOWN           |
| BROWN     | W/L UP             |
| PINK      | GRID OPEN          |
| GREY      | GRID CLOSED        |
| RED/BLUE  | W/L OUT            |
| GREY/PINK | W/L IN             |
| WHITE/BLK | GROUND             |



---

**PARTS LIST - REMOTE CONTROL SCHEMATIC**

| <b>Ref. No.</b> | <b>Part No.</b> | <b>Description</b>   | <b>Qty.</b> |
|-----------------|-----------------|----------------------|-------------|
| 1               | 7295000022      | Hand Controller      | 1           |
| 2               | 3740000001      | Relay Box            | 1           |
| 3               | 7790100856      | Self Tapping Screw   | 2           |
| 4               | 9740310001      | Relay                | 6           |
| 5               | 7552000059      | Wiring Harness       | 1           |
| 6               | 7552000060      | Wiring Harness       | 1           |
| 7               | 7346000056      | Relief Fitting       | 1           |
| 8               | 7870000036      | Lockout Switch       | 1           |
| 9               | 7115101411      | Pan Head Screw       | 4           |
| 10              | 7950100151      | Flatwasher           | 4           |
| 11              | 7661000002      | Hex Nut w/Lockwasher | 4           |

Rev. \_\_\_\_\_

B-19

Date \_\_\_\_\_

---

**ALUMINUM  
BODY PARTS**

B-KE

C-1

Part Number 5-376-000010  
Rev. 1

**PARTS LIST - BODY**

| <b>Ref. No.</b> | <b>Part No.</b> | <b>Description</b>  | <b>Qty.</b> |
|-----------------|-----------------|---------------------|-------------|
| 1               | 3512300066      | Deck                | 1           |
| 2               | 3899000018(BC)  | Toolbox, LH         | 1           |
| 3               | 3899000017(C)   | Toolbox, RH         | 1           |
| 4               | 4679000070(BC)  | Rubber Pad          | 1           |
| 5               | 4679000069(C)   | Rubber Pad          | 1           |
| 6               | 4415000009      | Fender, LH          | 1           |
| 7               | 4415000010      | Fender, RH          | 1           |
| 8               | 3502300020      | Tail Plate, LH      | 1           |
| 9               | 3502300019      | Tail Plate, RH      | 1           |
| 10              | 3502300022      | Tail Piece, LH      | 1           |
| 11              | 3502300021      | Tail Piece, RH      | 1           |
| 12              | 4706000948      | Tail Piece          | 1           |
| 13              | 7701000003      | Hole Plug           | 3           |
| 14              | 7111140650      | Capscrew            | 9           |
| 15              | 4706000030      | Back-up Plate       | 2           |
| 16              | 7002000011      | Folding Step        | 2           |
| 17              | 7189000007(C)   | Rubber Bumper       | 4           |
|                 | 7189000007(B)   | Rubber Bumper       | 2           |
| 18              | 4706001518      | Mud Cover Plate     | 1           |
| 19              | 7660162601      | Locknut             | 7           |
| 20              | 7114140818      | Capscrew            | 26          |
| 21              | 7115161050      | Capscrew            | 37          |
| 22              | 7114141023      | Capscrew            | 6           |
| 23              | 7660142600      | Locknut             | 32          |
| 24              | 7950140161      | Flatwasher          | 40          |
| 25              | 7950160161      | Flatwasher          | 31          |
| 26              | 7950160000      | Lockwasher          | 26          |
| 27              | 7111151013      | Screw               | 4           |
| 28              | 7950150161      | Flatwasher          | 4           |
| 29              | 7660152600      | Hexnut              | 4           |
| 30              | 7413000002      | Nutsert             | 12          |
| 31              | 7259000004      | Tail Light Housing  | 4           |
| 32              | 7111140850      | Capscrew            | 3           |
| 33              | 4706000397      | Plate, LH           | 1           |
| 34              | 4706000398      | Plate, RH           | 1           |
| 35              | 4706001094      | Mud Cover Plate     | 1           |
| 36              | 7790101611      | Screw               | 12          |
| 37              | 4706001519      | Mud Cover Mtg Plate | 1           |
| 38              | 7330000166(D)   | Cover Plate         | 2           |
|                 | 7314000002(E)   | Cover Plate         | 2           |
| 39              | 7790141076      | Screw               | 8           |
| 40              | 7330000001      | Serial Number Tag   | 1           |
| 41              | 7759000004      | Rivets              | 4           |

Rev. 1

C-3

Date 5-1-96

| Ref. No. | Part No.       | Description              | Qty. |
|----------|----------------|--------------------------|------|
| 42       | 3686000005(A)  | Body Panel, LH           | 1    |
| 43       | 3686000004(AB) | Body Panel, RH           | 1    |
| 44       | 4017000478     | Mounting Angle, LH - 19" | 1    |
|          | 4017000479     | Mounting Angle, LH - 21" | 1    |
|          | 4017000481     | Mounting Angle - 24"     | 1    |
| 45       | 4706001123     | Back-Up Plate - 19"      | 2    |
|          | 4706001124     | Back-Up Plate - 21"      | 2    |
|          | 4706001125     | Back-Up Plate - 24"      | 2    |
| 46       | 4178000073     | Bracket                  | 2    |
| 47       | 7638000003     | Mud Flap - 19"           | 2    |
|          | 4638000001     | Mud Flap - 24"           | 2    |
| 48       | 7111151010     | Machine Screw            | 8    |
| 49       | 7950150161     | Flatwasher               | 14   |
| 50       | 7950150000     | Lockwasher               | 14   |
| 51       | 7660150000     | Hexnut                   | 14   |
| 52       | 7111150850     | Capscrew                 | 6    |
| 53       | 4017000482     | Mounting Angle, RH - 19" | 1    |
|          | 4017000480     | Mounting Angle, RH - 21" | 1    |
|          | 4017000481     | Mounting Angle - 24"     | 1    |
| 54       | 3708000002     | Tow Sling Bracket, LH    | 1    |
| 55       | 7115181450     | Capscrew                 | 8    |
| 56       | 7660182301     | Locknut                  | 8    |
| 57       | 4706000717     | Plate                    | 4    |
| 58       | 7660162601     | Locknut                  | 4    |
| 59       | 3455000003     | Door and Frame           | 1    |
| 60       | 7595000001     | Paddle Handle Lock       | 1    |
| 61       | 7759000001     | Rivet                    | 32   |
| 62       | 3708000003     | Tow Sling Bracket, RH    | 1    |

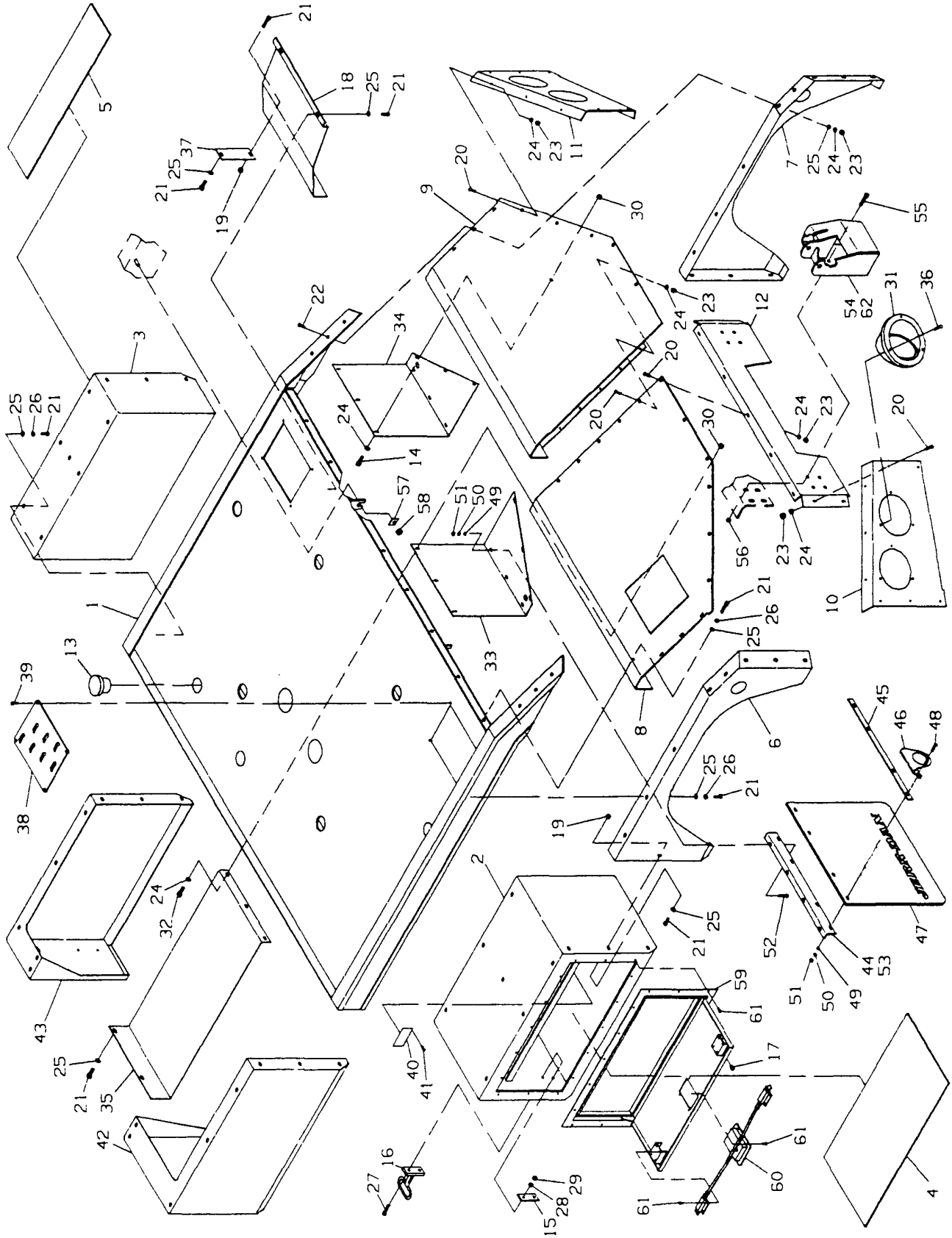
- A - Application with no toolboxes
- B - Application with Driver's Side Toolbox
- C - Application with Toolboxes, Both Sides
- D - HPL Applications
- E - MPG/EPG™ Applications

Rev. 1

C-4

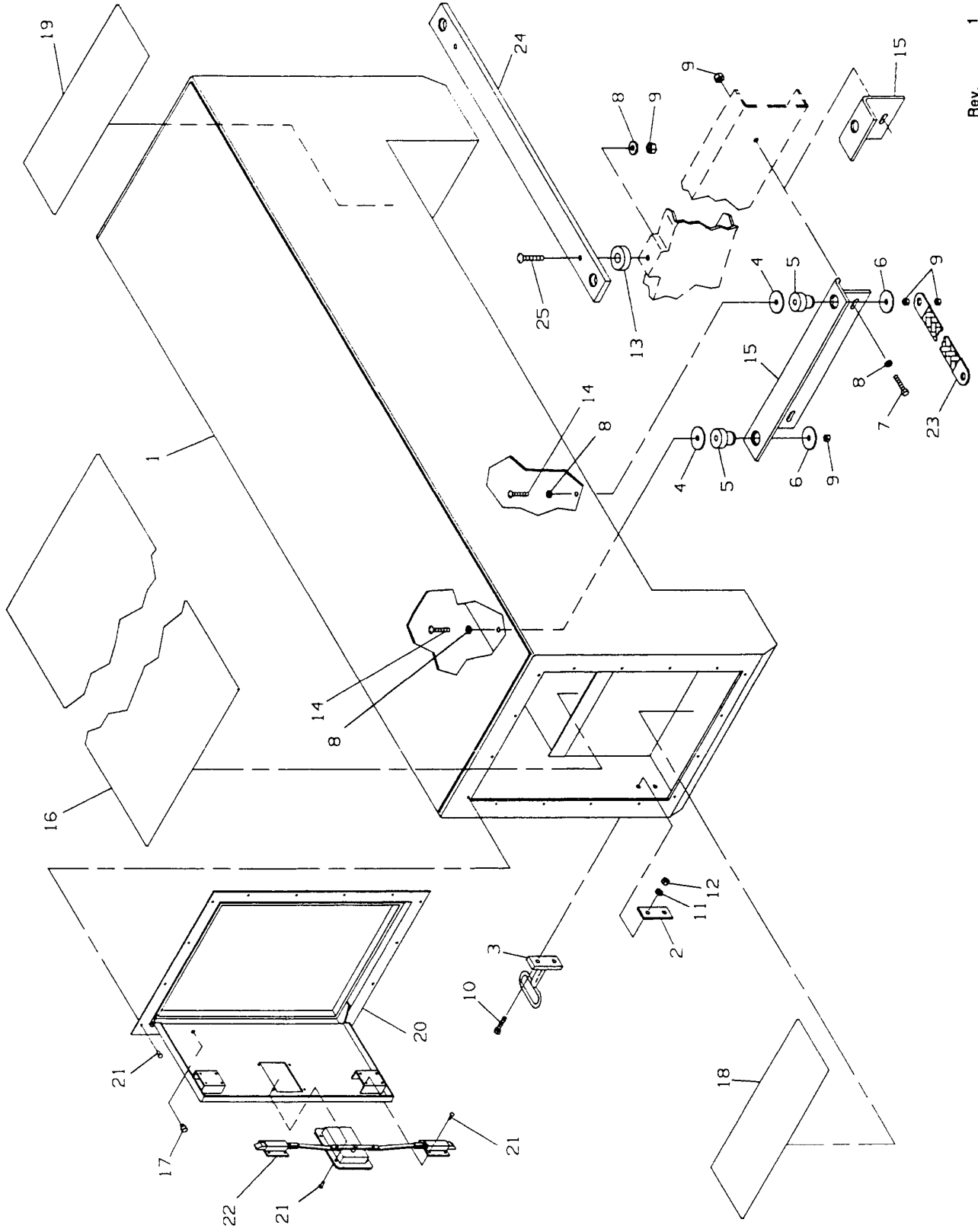
Date 5-1-96

**BODY**



Rev. 1  
Date 5-1-96

24" TUNNEL TOOLBOX



Rev. 1

Date 5-1-96

**PARTS LIST — 24" TUNNEL TOOLBOX**

| Ref. No. | Part No.       | Description        | Qty. |
|----------|----------------|--------------------|------|
| 1        | 3899000042     | Toolbox            | 1    |
| 2        | 4706000030     | Back-Up Plate      | 2    |
| 3        | 7002000011     | Folding Step       | 2    |
| 4        | 7949000013     | Washer             | 4    |
| 5        | 7636000005     | Rubber Mount       | 4    |
| 6        | 7949000012     | Washer             | 4    |
| 7        | 7115181450(A)  | Capscrew           | 4    |
|          | 7115181450(B)  | Capscrew           | 2    |
| 8        | 7950180161(A)  | Flatwasher         | 8    |
|          | 7950180161(B)  | Flatwasher         | 10   |
| 9        | 7660182301     | Locknut            | 9    |
| 10       | 7111151013     | Screw              | 4    |
| 11       | 7950150161     | Flatwasher         | 4    |
| 12       | 7660152600     | Hex Nut            | 4    |
| 13       | 4831000060(B)  | Spacer             | 2    |
| 14       | 7115182650     | Capscrew           | 4    |
| 15       | 4017000674(A)  | Angle              | 2    |
|          | 4017000675(B)  | Angle              | 2    |
| 16       | 4679000107     | Rubber Pad         | 1    |
| 17       | 7189000010     | Rubber Bumper      | 4    |
| 18       | 4679000029     | Rubber Pad, LH     | 1    |
| 19       | 4679000030     | Rubber Pad, RH     | 1    |
| 20       | 3455000003     | Door and Frame     | 1    |
| 21       | 7759000001     | Rivet              | 32   |
| 22       | 7595000001     | Paddle Handle Lock | 1    |
| 23       | 7346000038     | Grounding Strap    | 1    |
| 24       | 4706001541(B)  | Plate              | 1    |
| 25       | 7115181850 (B) | Capscrew           | 2    |

A - Ford and International Applications  
 B - Chevy Applications

Rev. 1

C-7

Date 5-1-96

---

**PARTS LIST - HEADBOARD AND FOLD DOWN LIGHT BAR**

| <b>Ref. No.</b> | <b>Part No.</b> | <b>Description</b>        | <b>Qty.</b> |
|-----------------|-----------------|---------------------------|-------------|
| 1               | 3241000037      | 24.75" Aluminum Headboard | 1           |
|                 | 3241000038      | 34" Aluminum Headboard    | 1           |
|                 | 3241000039      | 37" Aluminum Headboard    | 1           |
|                 | 3241000034      | 24.75" Steel Headboard    | 1           |
|                 | 3241000035      | 34" Steel Headboard       | 1           |
|                 | 3241000036      | 40" Steel Headboard       | 1           |
| 2               | 7115181450      | Capscrew                  | 4           |
| 3               | 7950180161(A)   | Flatwasher                | 8           |
|                 | 7950180161(B)   | Flatwasher                | 4           |
| 4               | 7661000006      | Well Nut                  | 8           |
| 5               | 7660182601(A)   | Locknut                   | 4           |
| 6               | 3510150025      | Light Bar                 | 1           |
| 7               | 3510150080      | Hinge                     | 2           |
| 8               | 4017000130      | Angle                     | 2           |
| 9               | 4017000129      | Angle                     | 2           |
| 10              | 7690081441      | Spring Pin                | 4           |
| 11              | 7189000001      | Rubber Bumper             | 4           |
| 12              | 7111101610      | Machine Screw             | 4           |
| 13              | 7661000002      | Hex Nut W/Lockwasher      | 4           |
| 14              | 7949000007      | Flatwasher                | 4           |
| 15              | 7585000001      | Flexible Draw Latch       | 2           |
| 16              | 7759000002      | Pop Rivet                 | 8           |
| 17              | 7114140818      | Capscrew                  | 16          |
| 18              | 7660142600      | Hex Locknut               | 8           |
| 19              | 7950140161      | Flatwasher                | 8           |

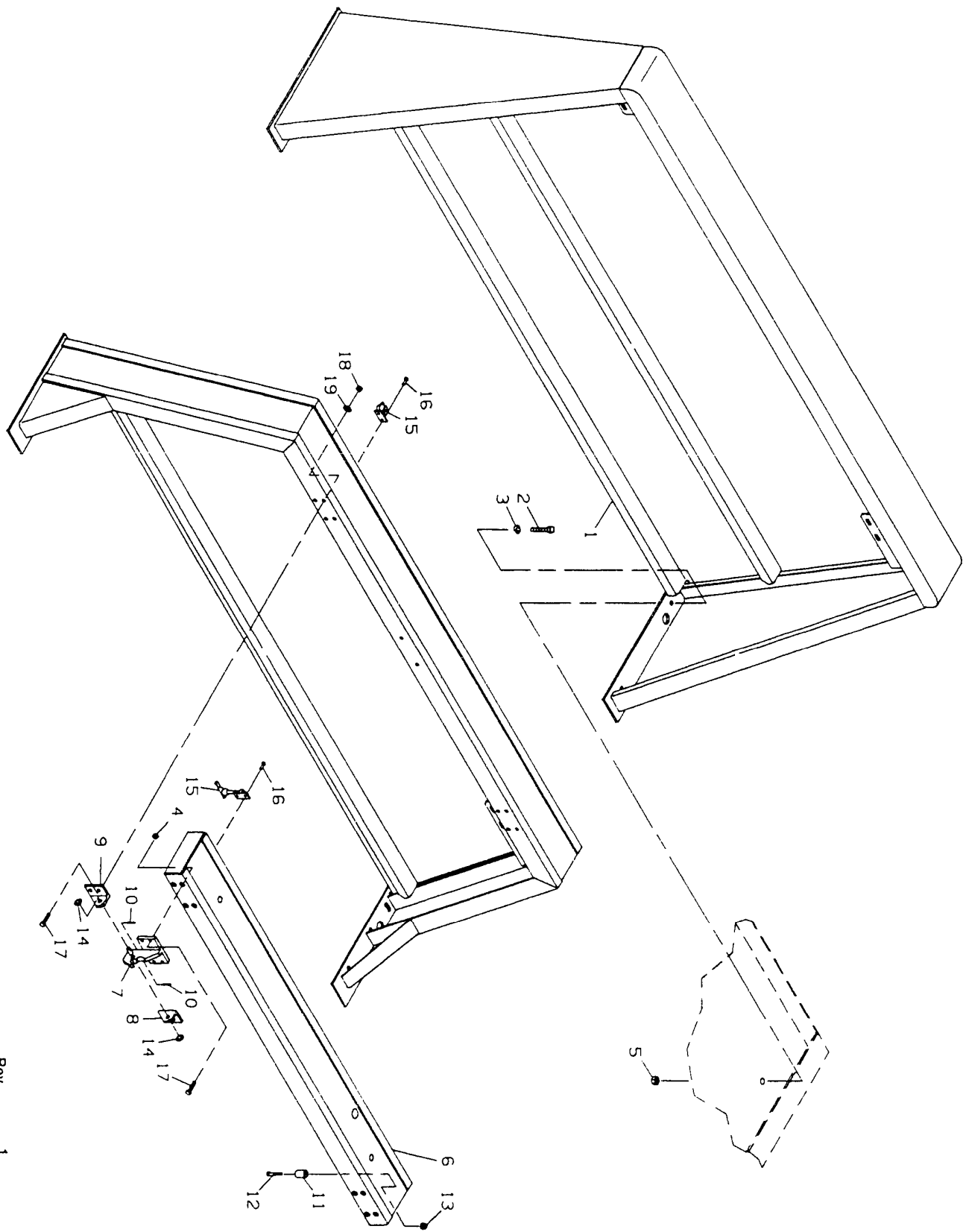
A - Tunnel Toolbox Mounted  
B - Deck Mounted

Rev. 1

C-8

Date 5-1-96

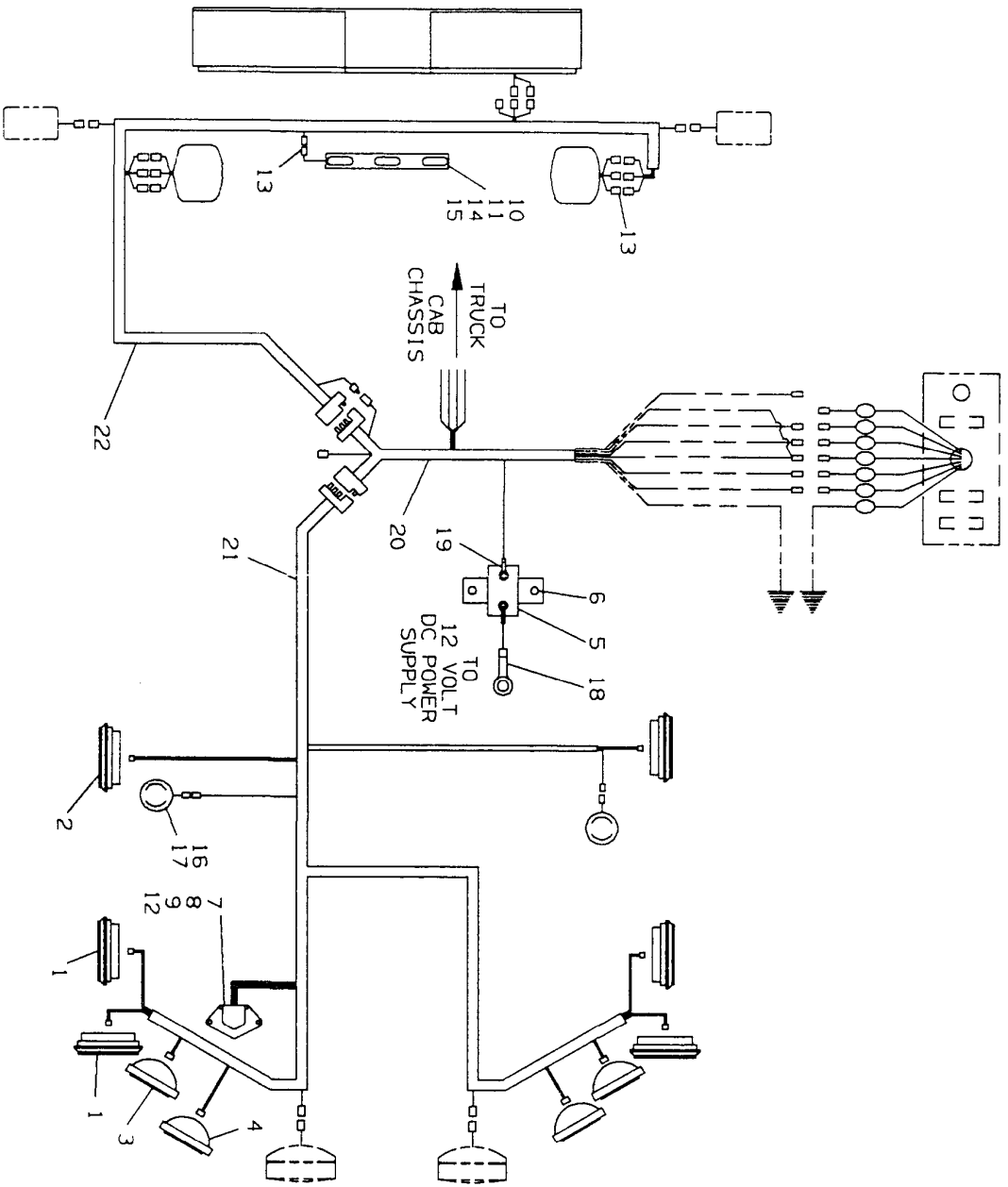
HEADBOARD AND FOLD DOWN LIGHT BAR



C-9

Rev. 1  
Date 5-1-96

**WIRING DIAGRAM  
60" C.A.**



| WIRE COLOR         | FUNCTION                          |
|--------------------|-----------------------------------|
| ORANGE             | ROTA TOR                          |
| BLUE               | TOOL BOX                          |
| BROWN              | CLEARANCE/<br>PARKING             |
| WHITE              | GROUND                            |
| WHITE/BLACK STRIPE | BEACON                            |
| PURPLE             | FLOOD LIGHTS                      |
| RED                | HAND CONTROL/<br>REAR WORK LIGHTS |
| GRAY               | 12VDC POWER SUPPLY                |
| GREEN              | RIGHT TURN/<br>STOP               |
| BLACK              | BACK UP                           |
| YELLOW             | LEFT TURN/<br>STOP                |

**PARTS LIST - WIRING DIAGRAM  
60" C.A.**

| Ref. No. | Part No.   | Description            | Qty. |
|----------|------------|------------------------|------|
| 1        | 7590000009 | Red Marker Light       | 4    |
| 2        | 7590000010 | Amber Marker Light     | 2    |
| 3        | 7590000002 | Stop, Turn, Tail Light | 2    |
| 4        | 7590000003 | Clear Back Up Light    | 2    |
| 5        | 7457000004 | Circuit Breaker        | 1    |
| 6        | 7790100856 | Screw                  | 2    |
| 7        | 7291000003 | Receptacle             | 1    |
| 8        | 7111140613 | Machine Screw          | 2    |
| 9        | 7950140000 | Lockwasher             | 2    |
| 10       | 7590000007 | Bar Lamp               | 1    |
| 11       | 7114140818 | Capscrew               | 2    |
| 12       | 7413000002 | Nutsert                | 2    |
| 13       | 7345001703 | Bullet Terminal        | *    |
| 14       | 7660142600 | Locknut                | 2    |
| 15       | 7950140161 | Flatwasher             | 2    |
| 16       | 7590000001 | Interior Light         | *    |
| 17       | 7790060676 | Screw                  | *    |
| 18       | 7345231901 | Ring Terminal          | 1    |
| 19       | 7345211901 | Ring Terminal          | 2    |
| 20       | 7552000001 | Wiring Harness         | 1    |
| 21       | 7552000042 | Wiring Harness         | 1    |
| 22       | 7552000045 | Wiring Harness         | 1    |

\* - Quantity of this item varies with optional body equipment

Rev. 1

C-11

Date 5-1-96

**PARTS LIST - WIRING DIAGRAM**  
**84" C.A.**

| <b>Ref. No.</b> | <b>Part No.</b> | <b>Description</b>       | <b>Qty.</b> |
|-----------------|-----------------|--------------------------|-------------|
| 1               | 7590000009      | Red Marker Light         | 4           |
| 2               | 7590000010      | Amber Marker Light       | 2           |
| 3               | 7590000002      | Stop, Turn, Tail Light   | 2           |
| 4               | 7590000003      | Clear Back Up Light      | 2           |
| 5               | 7457000004      | Circuit Breaker          | 1           |
| 6               | 7790100856      | Screw                    | 2           |
| 7               | 7291000003      | Receptacle               | 1           |
| 8               | 7111140613      | Machine Screw            | 2           |
| 9               | 7950140000      | Lockwasher               | 2           |
| 10              | 7590000007      | Bar Lamp                 | 1           |
| 11              | 7114140818      | Capscrew                 | 2           |
| 12              | 7413000002      | Nutsert                  | 2           |
| 13              | 7345001703      | Bullet Terminal          | *           |
| 14              | 7660142600      | Locknut                  | 2           |
| 15              | 7950140161      | Flatwasher               | 2           |
| 16              | 7590000001      | Interior Light           | *           |
| 17              | 7790060676      | Screw                    | *           |
| 18              | 7552000042      | Wiring Harness           | 1           |
| 19              | 7552000053      | Wiring Harness Extension | 1           |
| 20              | 7552000001      | Wiring Harness           | 1           |
| 21              | 7552000044      | Wiring Harness           | 1           |
| 22              | 7345211901      | Ring Terminal            | 2           |
| 23              | 7345231901      | Ring Terminal            | 1           |

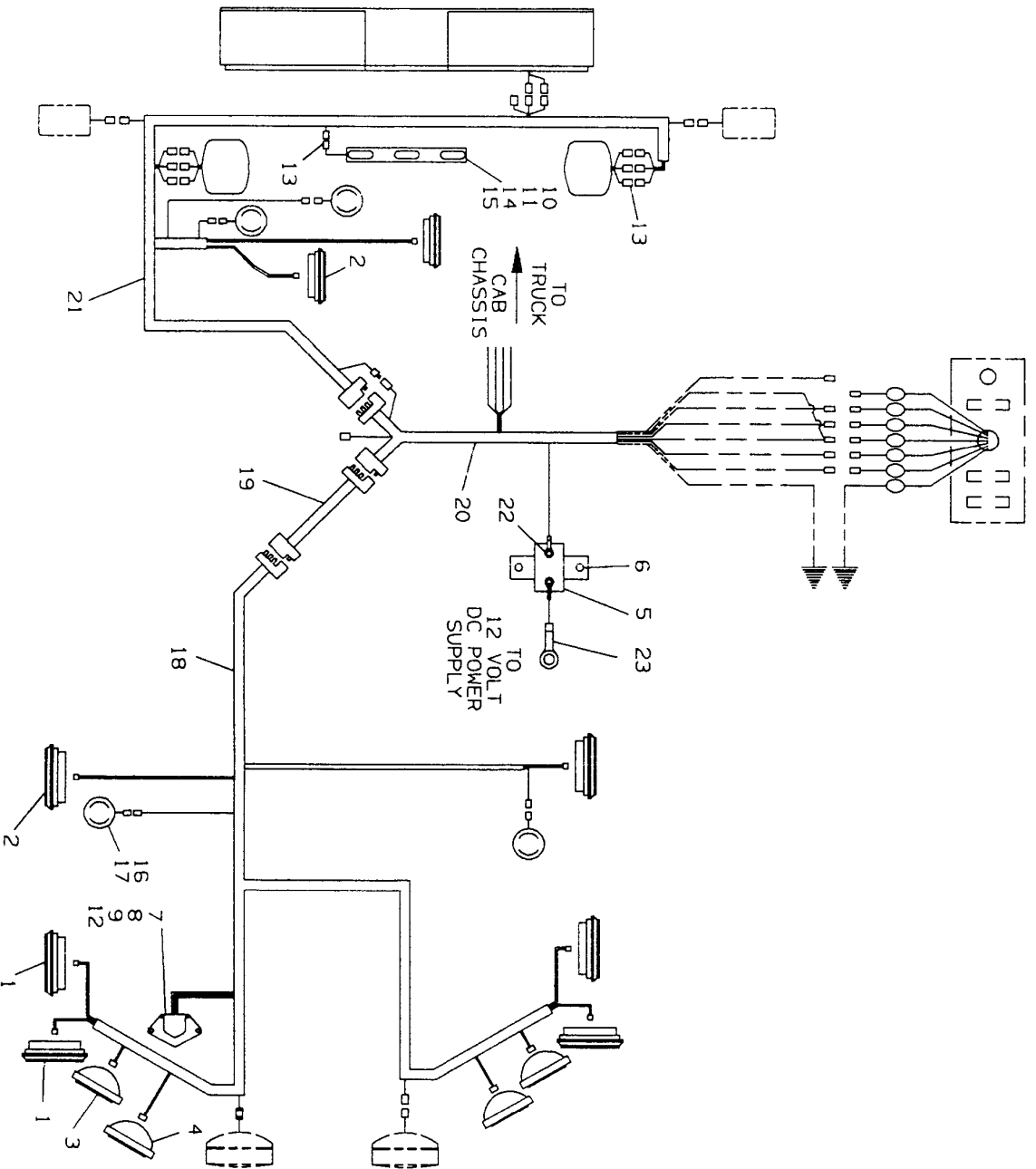
\* - Quantity of this item varies with optional body equipment

Rev. 1

C-12

Date 5-1-96

**WIRING DIAGRAM  
84" C.A.**



| WIRE COLOR         | FUNCTION                      |
|--------------------|-------------------------------|
| ORANGE             | ROTORATOR                     |
| BLUE               | TOOL BOX                      |
| BROWN              | CLEARANCE/PARKING             |
| WHITE              | GROUND                        |
| WHITE/BLACK STRIPE | BEACON                        |
| PURPLE             | FLOOD LIGHTS                  |
| RED                | HAND CONTROL/REAR WORK LIGHTS |
| GRAY               | 12VDC POWER SUPPLY            |
| GREEN              | RIGHT TURN/STOP               |
| BLACK              | BACK UP                       |
| YELLOW             | LEFT TURN/STOP                |

C-13

Rev. \_\_\_\_\_  
Date \_\_\_\_\_

---

**STEEL  
BODY PARTS  
60" C.A.**

B-KE

C-1

Part Number 5-376-000011  
Rev. 1

**PARTS LIST — BODY - 60" C.A.**

| Ref. No. | Part No.      | Description                | Qty. |
|----------|---------------|----------------------------|------|
| 1        | 4706000717    | Plate                      | 4    |
| 2        | 7660182601    | Locknut                    | 4    |
| 3        | 7115181650    | Capscrew                   | 8    |
| 4        | 7660182301    | Locknut                    | 8    |
| 5        | 4706001516    | Mud Cover Plate            | 1    |
| 6        | 4706001120    | Mud Cover Plate            | 1    |
| 7        | 4178000186    | Bracket                    | 1    |
| 8        | 7790141056    | Screw                      | 6    |
| 9        | 7111140850(A) | Capscrew                   | 2    |
|          | 7111140850(B) | Capscrew                   | 1    |
| 10       | 7660142600(A) | Locknut                    | 2    |
|          | 7660142600(B) | Locknut                    | 1    |
| 11       | 7950140161(A) | Flatwasher                 | 2    |
|          | 7950140161(B) | Flatwasher                 | 1    |
| 12       | 3097000053(A) | Steel Body - 60" C.A.      | 1    |
|          | 3097000079(B) | Steel Body - 60" C.A.      | 1    |
| 13       | 4679000087    | Rubber Pad                 | 1    |
| 14       | 7701000003    | Hole Plug                  | 3    |
| 15       | 7595000002(A) | Paddle Handle Lock         | 1    |
|          | 7595000002(B) | Paddle Handle Lock         | 2    |
| 16       | 7114080418(A) | Capscrew                   | 4    |
|          | 7114080418(B) | Capscrew                   | 8    |
| 17       | 7660082500(A) | Locknut                    | 4    |
|          | 7660082500(B) | Locknut                    | 8    |
| 18       | 3706000040(A) | Door Plate                 | 1    |
|          | 3706000040(B) | Door Plate                 | 2    |
| 19       | 7118160516(A) | Bolt                       | 2    |
|          | 7118160516(B) | Bolt                       | 4    |
| 20       | 7660162301(A) | Locknut                    | 2    |
|          | 7660162301(B) | Locknut                    | 4    |
| 21       | 4679000084(B) | Rubber Pad                 | 1    |
| 22       | 7330000001    | Serial Number Tag          | 1    |
| 23       | 7759000004    | Rivet                      | 4    |
| 24       | 7330000166(C) | Cover Plate                | 2    |
|          | 7314000002(D) | Cover Plate                | 2    |
| 25       | 7790141076    | Screw                      | 8    |
| 26       | 3556000022    | D-Ring                     | 2    |
| 27       | 4314000029    | Guard Plate, R.H.          | 1    |
| 28       | 4314000030    | Guard Plate, L.H.          | 1    |
| 29       | 7759000007    | Rivet                      | 8    |
| 30       | 4017000492    | Mounting Angle, L.H. - 19" | 1    |
|          | 4017000494    | Mounting Angle, L.H. - 21" | 1    |
|          | 4017000496    | Mounting Angle, L.H. - 24" | 1    |
| 31       | 4706001123    | Backup Plate - 19"         | 2    |
|          | 4706001124    | Backup Plate - 21"         | 2    |
|          | 4706001125    | Backup Plate - 24"         | 2    |
| 32       | 4178000073    | Light Bracket              | 2    |
| 33       | 7638000003    | Mud Flap - 19"             | 2    |
|          | 4638000001    | Mud Flap - 24"             | 2    |
|          | 7638000007    | Mud Flap - 20"             | 2    |
| 34       | 7111151010    | Screw                      | 8    |

Rev. 1

C-3

Date 5-1-96

**PARTS LIST — BODY - 60" C.A.**

| <b>Ref. No.</b> | <b>Part No.</b> | <b>Description</b>         | <b>Qty.</b> |
|-----------------|-----------------|----------------------------|-------------|
| 35              | 7950150161      | Flatwasher                 | 14          |
| 36              | 7950150000      | Lockwasher                 | 14          |
| 37              | 7660150000      | Hexnut                     | 14          |
| 38              | 7111150850      | Capscrew                   | 6           |
| 39              | 4017000493      | Mounting Angle, R.H. - 19" | 1           |
|                 | 4017000495      | Mounting Angle, R.H. - 21" | 1           |
|                 | 4017000497      | Mounting Angle, R.H. - 24" | 1           |
| 40              | 7259000004      | Tail Light Housing         | 4           |
| 41              | 7790101611      | Screw                      | 12          |

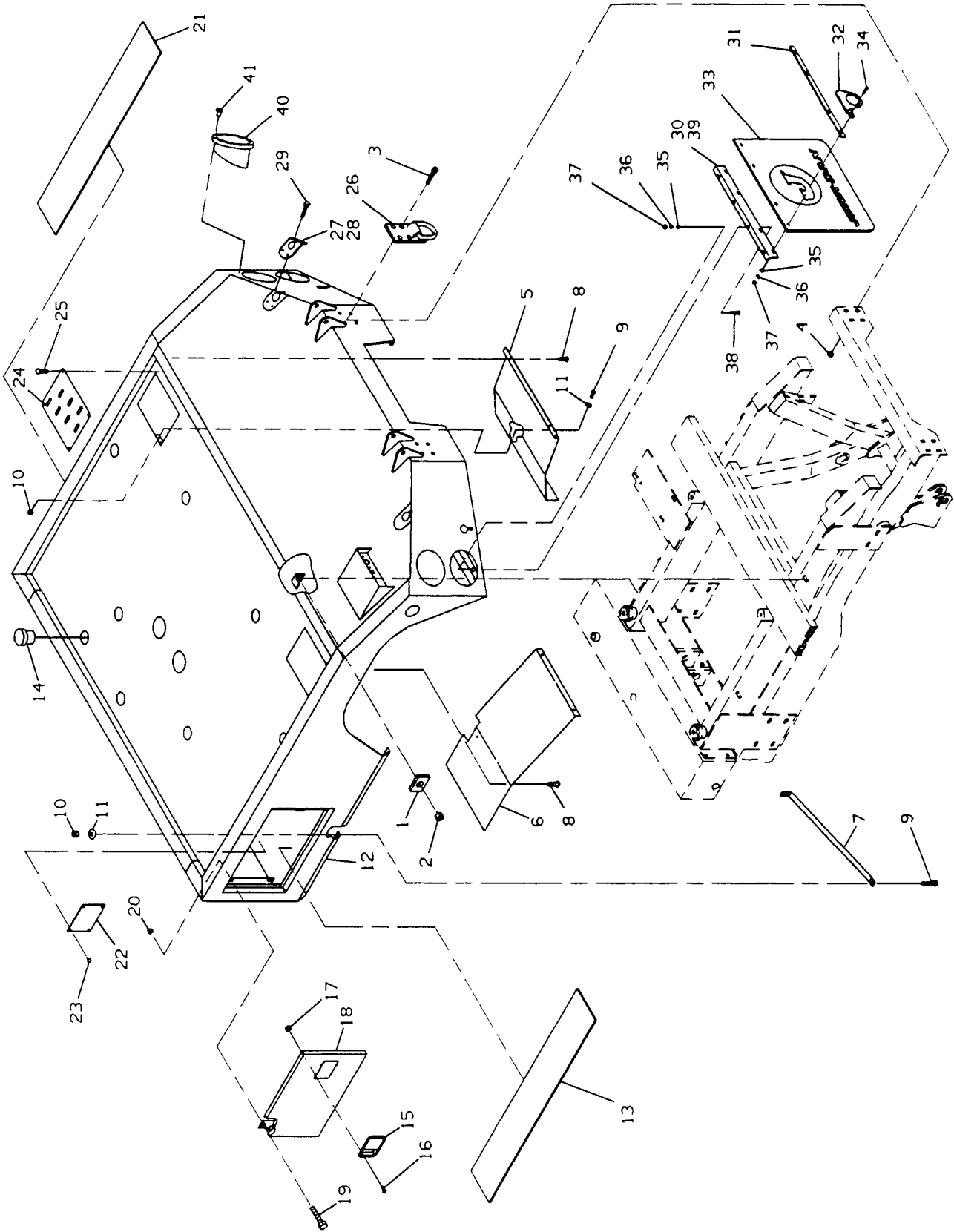
- A - Toolbox, Driver's Side
- B - Toolbox, Both Sides
- C - HPL Applications
- D - MPG/EPG™ Applications

Rev. 1

C-4

Date 5-1-96

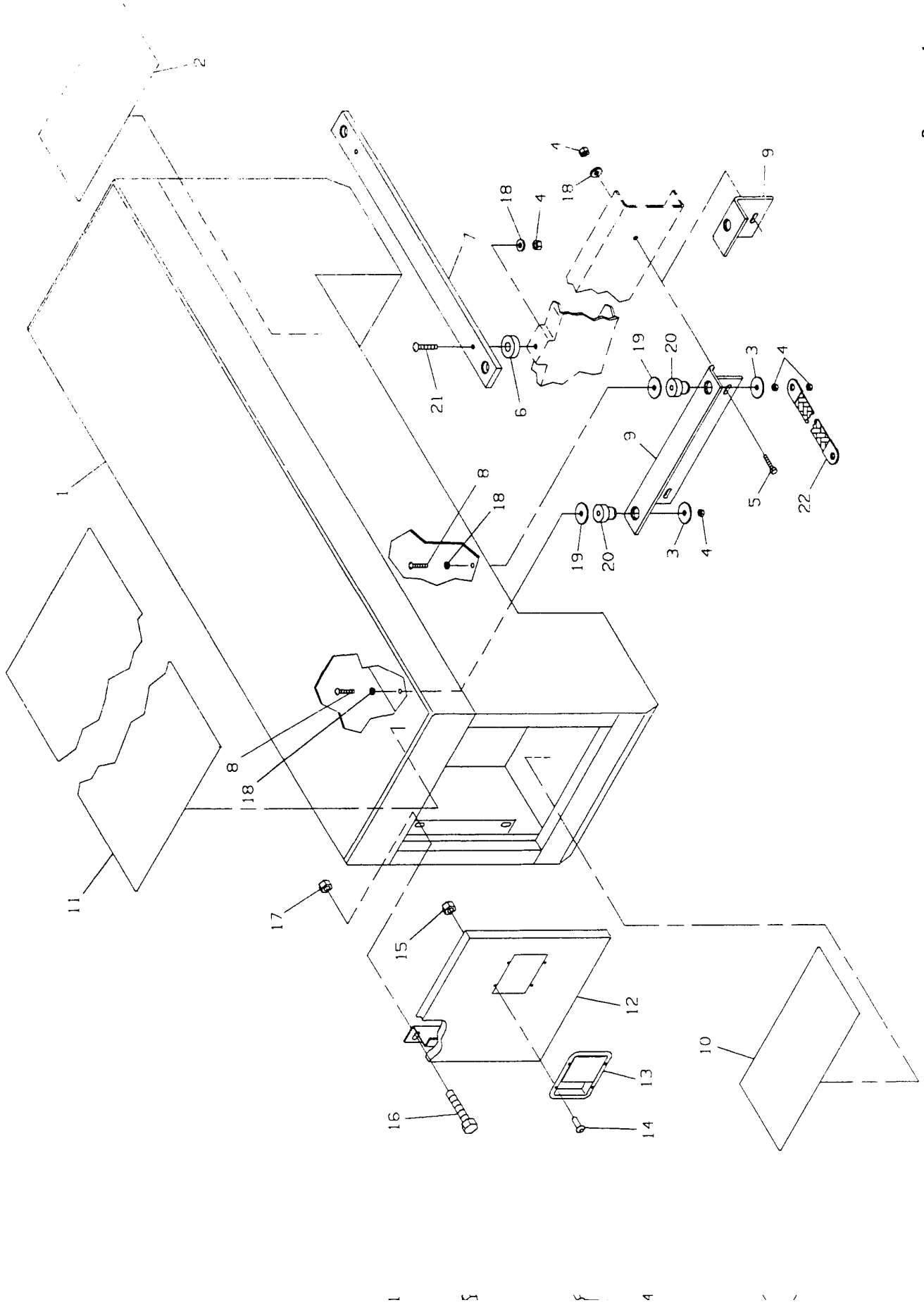
BODY 60" C.A.



Rev. 1

Date 5-1-96

24" TUNNEL TOOLBOX



Rev. \_\_\_\_\_

Date 5/1/22

**PARTS LIST — 24" TUNNEL TOOLBOX**

| Ref. No. | Part No.       | Description        | Qty. |
|----------|----------------|--------------------|------|
| 1        | 3899000041     | Toolbox            | 1    |
| 2        | 4679000085     | Rubber Pad         | 1    |
| 3        | 7949000012     | Washer             | 4    |
| 4        | 7660182301     | Locknut            | 9    |
| 5        | 7115181450(A)  | Capscrew           | 4    |
|          | 7115181450(B)  | Capscrew           | 2    |
| 6        | 4831000060(B)  | Spacer             | 2    |
| 7        | 4706001541(B)  | Plate              | 1    |
| 8        | 7115182650     | Capscrew           | 4    |
| 9        | 4017000674(A)  | Angle              | 2    |
|          | 4017000675(B)  | Angle              | 2    |
| 10       | 4679000106     | Rubber Pad         | 1    |
| 11       | 4679000108     | Rubber Pad         | 1    |
| 12       | 3706000036     | Door               | 2    |
| 13       | 7595000002     | Paddle Handle Lock | 2    |
| 14       | 7114080418     | Capscrew           | 8    |
| 15       | 7660082500     | Locknut            | 8    |
| 16       | 7118160516     | Bolt               | 4    |
| 17       | 7660162301     | Locknut            | 4    |
| 18       | 7950180161(A)  | Flatwasher         | 8    |
|          | 7950180161(B)  | Flatwasher         | 10   |
| 19       | 7949000013     | Washer             | 4    |
| 20       | 7636000005     | Rubber Mount       | 4    |
| 21       | 7115181850 (B) | Capscrew           | 2    |
| 22       | 7346000038     | Grounding Strap    | 1    |

A - Ford and International Applications  
 B - Chevy Applications

Rev. 1

C-7

Date 5-1-96

**PARTS LIST — HEADBOARD AND FOLD DOWN LIGHT BAR**

| <b>Ref. No.</b> | <b>Part No.</b> | <b>Description</b>        | <b>Qty.</b> |
|-----------------|-----------------|---------------------------|-------------|
| 1               | 3241000037      | 24.75" Aluminum Headboard | 1           |
|                 | 3241000038      | 34" Aluminum Headboard    | 1           |
|                 | 3241000039      | 37" Aluminum Headboard    | 1           |
|                 | 3241000034      | 24.75" Steel Headboard    | 1           |
|                 | 3241000035      | 34" Steel Headboard       | 1           |
|                 | 3241000036      | 40" Steel Headboard       | 1           |
| 2               | 7115181450      | Capscrew                  | 4           |
| 3               | 7950180161(A)   | Flatwasher                | 8           |
|                 | 7950180161(B)   | Flatwasher                | 4           |
| 4               | 7661000006      | Well Nut                  | 8           |
| 5               | 7660182601(A)   | Locknut                   | 4           |
| 6               | 3510150025      | Light Bar                 | 1           |
| 7               | 3510150080      | Hinge                     | 2           |
| 8               | 4017000130      | Angle                     | 2           |
| 9               | 4017000129      | Angle                     | 2           |
| 10              | 7690081441      | Spring Pin                | 4           |
| 11              | 7189000001      | Rubber Bumper             | 4           |
| 12              | 7111101610      | Machine Screw             | 4           |
| 13              | 7661000002      | Hexnut w/Lockwasher       | 4           |
| 14              | 7949000007      | Flatwasher                | 4           |
| 15              | 7585000001      | Flexible Draw Latch       | 2           |
| 16              | 7759000002      | Rivet                     | 8           |
| 17              | 7114140818      | Capscrew                  | 16          |
| 18              | 7660142600      | Hex Locknut               | 8           |
| 19              | 7950140161      | Flatwasher                | 8           |

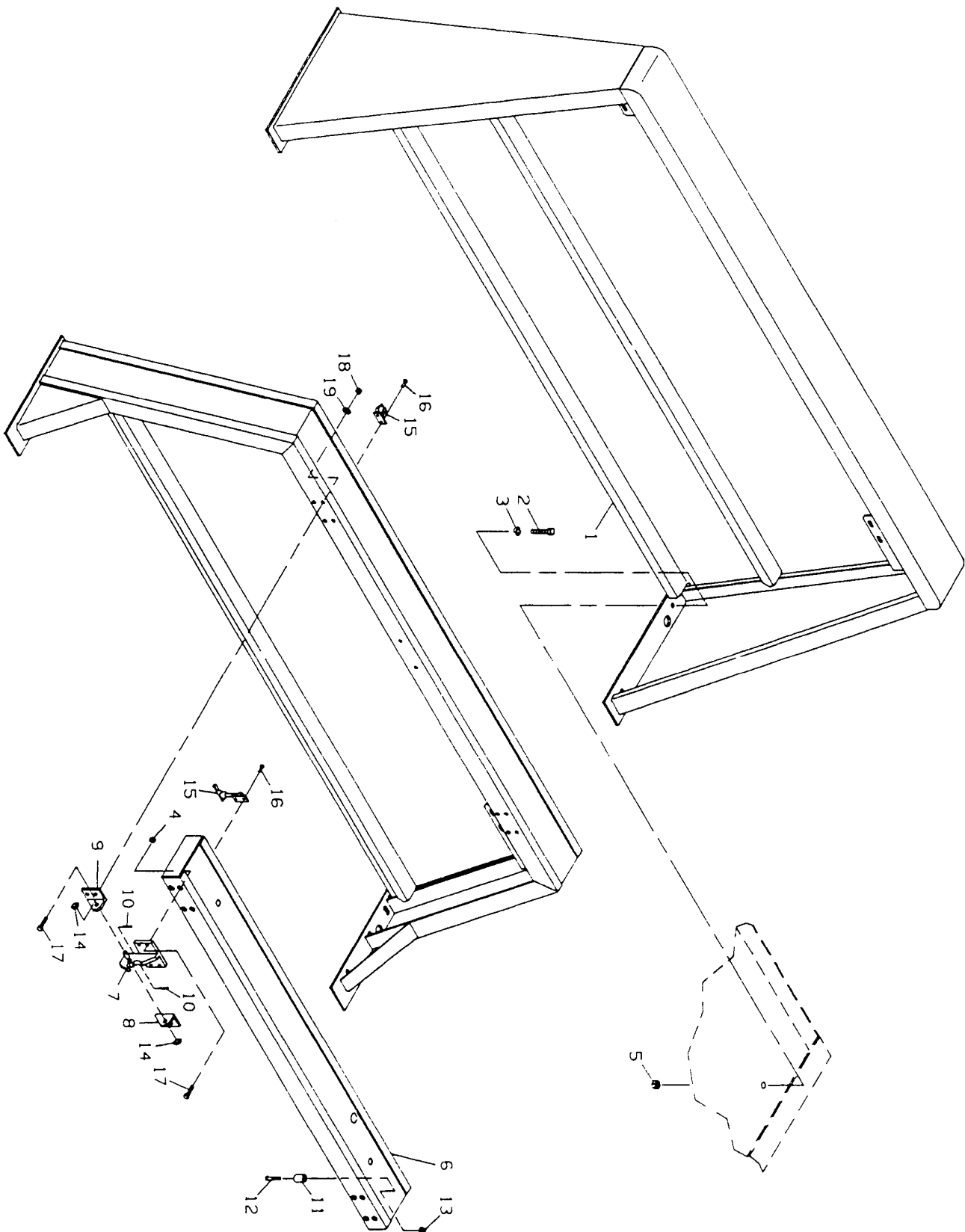
A - Tunnel Toolbox Mounted  
B - Deck Mounted

Rev. 1

C-8

Date 5-1-96

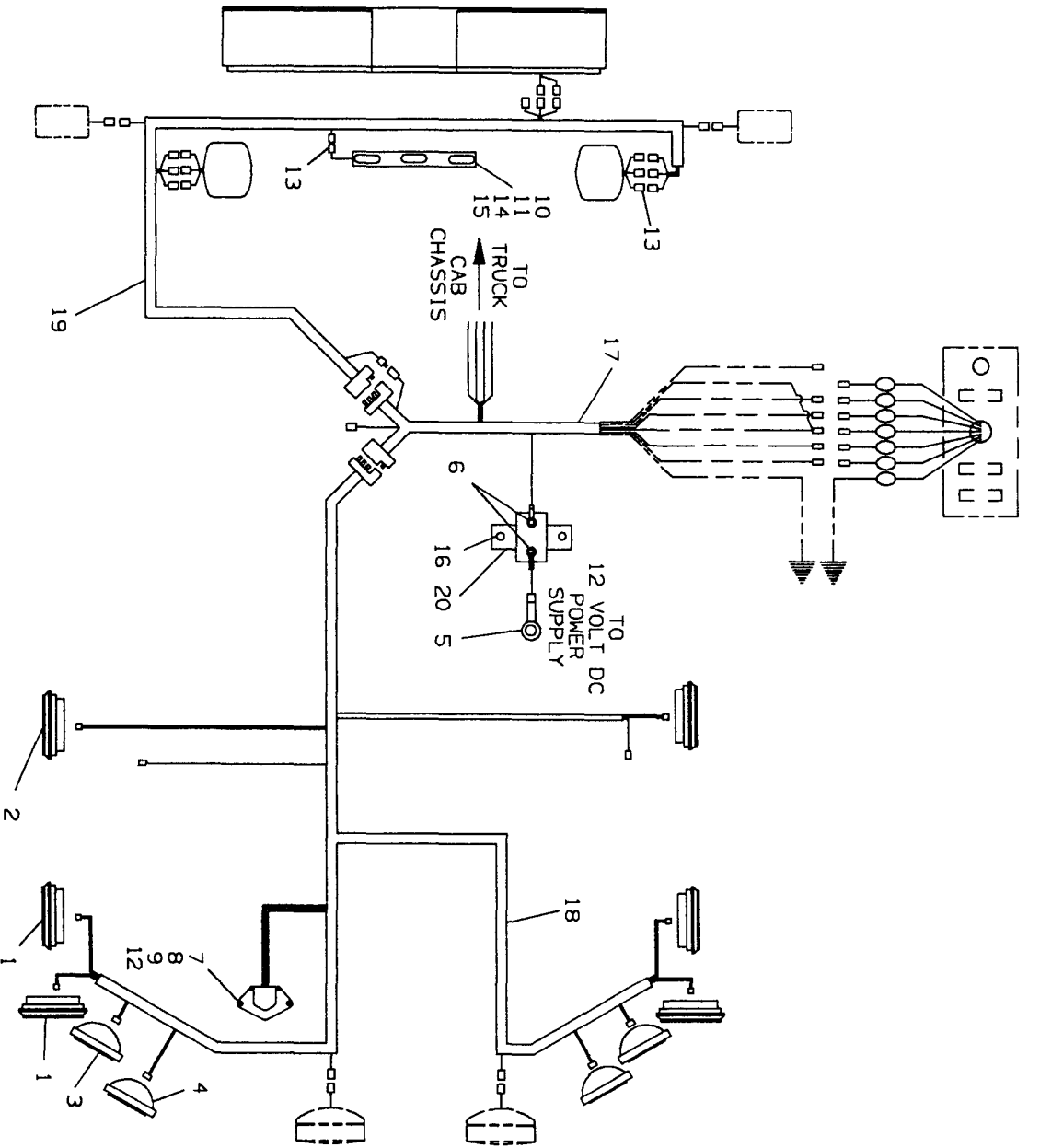
# HEADBOARD AND FOLD DOWN LIGHT BAR



C-9

Rev. 1  
Date 5-1-96

**WIRING DIAGRAM  
60" C.A.**



| WIRE COLOR         | FUNCTION                          |
|--------------------|-----------------------------------|
| ORANGE             | ROTORATOR                         |
| BLUE               | TOOL BOX                          |
| BROWN              | CLEARANCE/<br>PARKING             |
| WHITE              | GROUND                            |
| WHITE/BLACK STRIPE | BEACON                            |
| PURPLE             | FLOOD LIGHTS                      |
| RED                | HAND CONTROL/<br>REAR WORK LIGHTS |
| GRAY               | 12VDC POWER SUPPLY                |
| GREEN              | RIGHT TURN/<br>STOP               |
| BLACK              | BACK UP                           |
| YELLOW             | LEFT TURN/<br>STOP                |

C-10

Rev. \_\_\_\_\_  
Date \_\_\_\_\_

**PARTS LIST — WIRING DIAGRAM**  
**60" C.A.**

| <b>Ref. No.</b> | <b>Part No.</b> | <b>Description</b>     | <b>Qty.</b> |
|-----------------|-----------------|------------------------|-------------|
| 1               | 7590000009      | Red Marker Light       | 4           |
| 2               | 7590000010      | Amber Marker Light     | 2           |
| 3               | 7590000002      | Stop, Turn, Tail Light | 2           |
| 4               | 7590000003      | Clear Back Up Light    | 2           |
| 5               | 7345231901      | Terminal               | 1           |
| 6               | 7345211901      | Terminal               | 2           |
| 7               | 7291000003      | Receptacle             | 1           |
| 8               | 7111140613      | Screw                  | 2           |
| 9               | 7950140000      | Lockwasher             | 2           |
| 10              | 7590000007      | Bar Lamp               | 1           |
| 11              | 7114140818      | Capscrew               | 2           |
| 12              | 7413000002      | Nutsert                | 2           |
| 13              | 7345001703      | Bullet Terminal        | 7           |
| 14              | 7660142600      | Locknut                | 2           |
| 15              | 7950140161      | Flatwasher             | 2           |
| 16              | 7790100856      | Screw                  | 2           |
| 17              | 7552000001      | Wiring Harness         | 1           |
| 18              | 7552000042      | Wiring Harness         | 1           |
| 19              | 7552000045      | Wiring Harness         | 1           |
| 20              | 7457000004      | Circuit Breaker        | 1           |

Rev. \_\_\_\_\_

C-11

Date \_\_\_\_\_

**PARTS LIST — WIRING DIAGRAM**  
**84" C.A.**

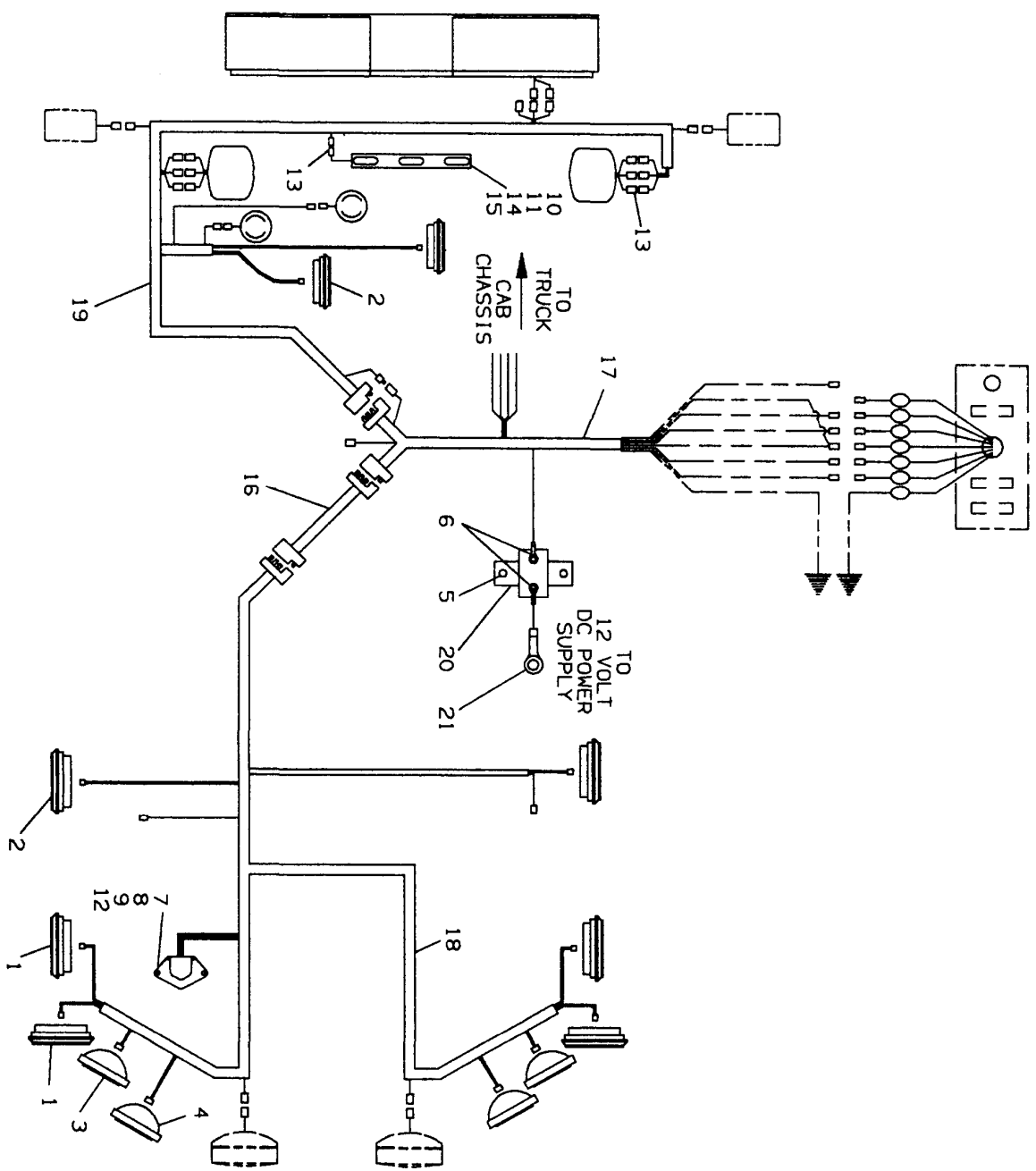
| <b>Ref. No.</b> | <b>Part No.</b> | <b>Description</b>       | <b>Qty.</b> |
|-----------------|-----------------|--------------------------|-------------|
| 1               | 7590000009      | Red Marker Light         | 4           |
| 2               | 7590000010      | Amber Marker Light       | 4           |
| 3               | 7590000002      | Stop, Turn, Tail Light   | 2           |
| 4               | 7590000003      | Clear Back Up Light      | 2           |
| 5               | 7790100856      | Screw                    | 2           |
| 6               | 7345211901      | Terminal                 | 2           |
| 7               | 7291000003      | Receptacle               | 1           |
| 8               | 7111140613      | Screw                    | 2           |
| 9               | 7950140000      | Lockwasher               | 2           |
| 10              | 7590000007      | Bar Lamp                 | 1           |
| 11              | 7114140818      | Capscrew                 | 2           |
| 12              | 7413000002      | Nutsert                  | 2           |
| 13              | 7345001703      | Bullet Terminal          | 7           |
| 14              | 7660142600      | Locknut                  | 2           |
| 15              | 7950140161      | Flatwasher               | 2           |
| 16              | 7552000053      | Wiring Harness Extension | 1           |
| 17              | 7552000001      | Wiring Harness           | 1           |
| 18              | 7552000042      | Wiring Harness           | 1           |
| 19              | 7552000044      | Wiring Harness           | 1           |
| 20              | 7457000004      | Circuit Breaker          | 1           |
| 21              | 7345231901      | Terminal                 | 1           |

Rev. \_\_\_\_\_

C-12

Date \_\_\_\_\_

**WIRING DIAGRAM  
84" C.A.**



| WIRE COLOR         | FUNCTION                          |
|--------------------|-----------------------------------|
| ORANGE             | ROTATOR                           |
| BLUE               | TOOL BOX                          |
| BROWN              | CLEARANCE/<br>PARKING             |
| WHITE              | GROUND                            |
| WHITE/BLACK STRIPE | BEACON                            |
| PURPLE             | FLOOD LIGHTS                      |
| RED                | HAND CONTROL/<br>REAR WORK LIGHTS |
| GRAY               | 12VDC POWER SUPPLY                |
| GREEN              | RIGHT TURN/<br>STOP               |
| BLACK              | BACK UP                           |
| YELLOW             | LEFT TURN/<br>STOP                |

---

**STEEL  
BODY PARTS  
84" C.A.**

B-KE

C-1

Part Number 5-376-000012  
Rev. 1

**PARTS LIST — BODY - 84" C.A.**

| Ref. No. | Part No.      | Description                      | Qty. |
|----------|---------------|----------------------------------|------|
| 1        | 4706000717    | Plate                            | 4    |
| 2        | 7660182601    | Locknut                          | 4    |
| 3        | 7115181650    | Capscrew                         | 8    |
| 4        | 7660182301    | Locknut                          | 8    |
| 5        | 4706001516    | Mud Cover Plate                  | 1    |
| 6        | 4706001120    | Mud Cover Plate                  | 1    |
| 7        | 7120000016    | Screw                            | 4    |
| 8        | 7661000011    | Locknut                          | 4    |
| 9        | 7111140850    | Capscrew                         | 1    |
| 10       | 7660142600    | Locknut                          | 1    |
| 11       | 7950140161    | Flatwasher                       | 1    |
| 12       | 7790141056    | Screw                            | 6    |
| 13       | 4017000553    | Angle                            | 2    |
| 14       | 3097000063    | Steel Body - 84" C.A.            | 1    |
| 15       | 4679000080    | Rubber Pad                       | 1    |
| 16       | 4679000081    | Rubber Pad                       | 1    |
| 17       | 4679000082    | Rubber Pad                       | 1    |
| 18       | 7701000003    | Hole Plug                        | 3    |
| 19       | 7595000002    | Paddle Handle Lock               | 2    |
| 20       | 7595000001    | Paddle Handle Lock<br>w/Strikers | 2    |
| 21       | 7114080418    | Capscrew                         | 16   |
| 22       | 7660082500    | Locknut                          | 16   |
| 23       | 3706000039    | Door Plate                       | 2    |
| 24       | 3706000040    | Door Plate                       | 2    |
| 25       | 7118160516    | Bolt                             | 8    |
| 26       | 7660162301    | Locknut                          | 8    |
| 27       | 7759000001    | Rivet                            | 16   |
| 28       | 4763000160    | Lock Rod                         | 4    |
| 29       | 4679000083    | Rubber Pad                       | 1    |
| 30       | 4679000092    | Rubber Pad                       | 1    |
| 31       | 7330000001    | Serial Number Tag                | 1    |
| 32       | 7330000166(A) | Cover Plate                      | 2    |
|          | 7314000002(B) | Cover Plate                      | 2    |
| 33       | 7759000004    | Rivet                            | 4    |
| 34       | 7790141076    | Screw                            | 8    |
| 35       | 3556000022    | D-Ring                           | 2    |
| 36       | 4314000029    | Guard Plate, R.H.                | 1    |
| 37       | 4314000030    | Guard Plate, L.H.                | 1    |
| 38       | 7759000007    | Rivet                            | 8    |
| 39       | 4017000492    | Mounting Angle, L.H. - 19"       | 1    |
|          | 4017000494    | Mounting Angle, L.H. - 21"       | 1    |
|          | 4017000496    | Mounting Angle, L.H. - 24"       | 1    |
| 40       | 4706001123    | Backup Plate - 19"               | 2    |
|          | 4706001124    | Backup Plate - 21"               | 2    |
|          | 4706001125    | Backup Plate - 24"               | 2    |
| 41       | 4178000073    | Light Bracket                    | 2    |
| 42       | 7638000003    | Mud Flap - 19"                   | 2    |
|          | 7638000001    | Mud Flap - 24"                   | 2    |
| 43       | 7111151010    | Screw                            | 8    |
| 44       | 7950150161    | Flatwasher                       | 14   |

Rev. 1

C-3

Date 5-1-96

**PARTS LIST — BODY - 84" C.A.**

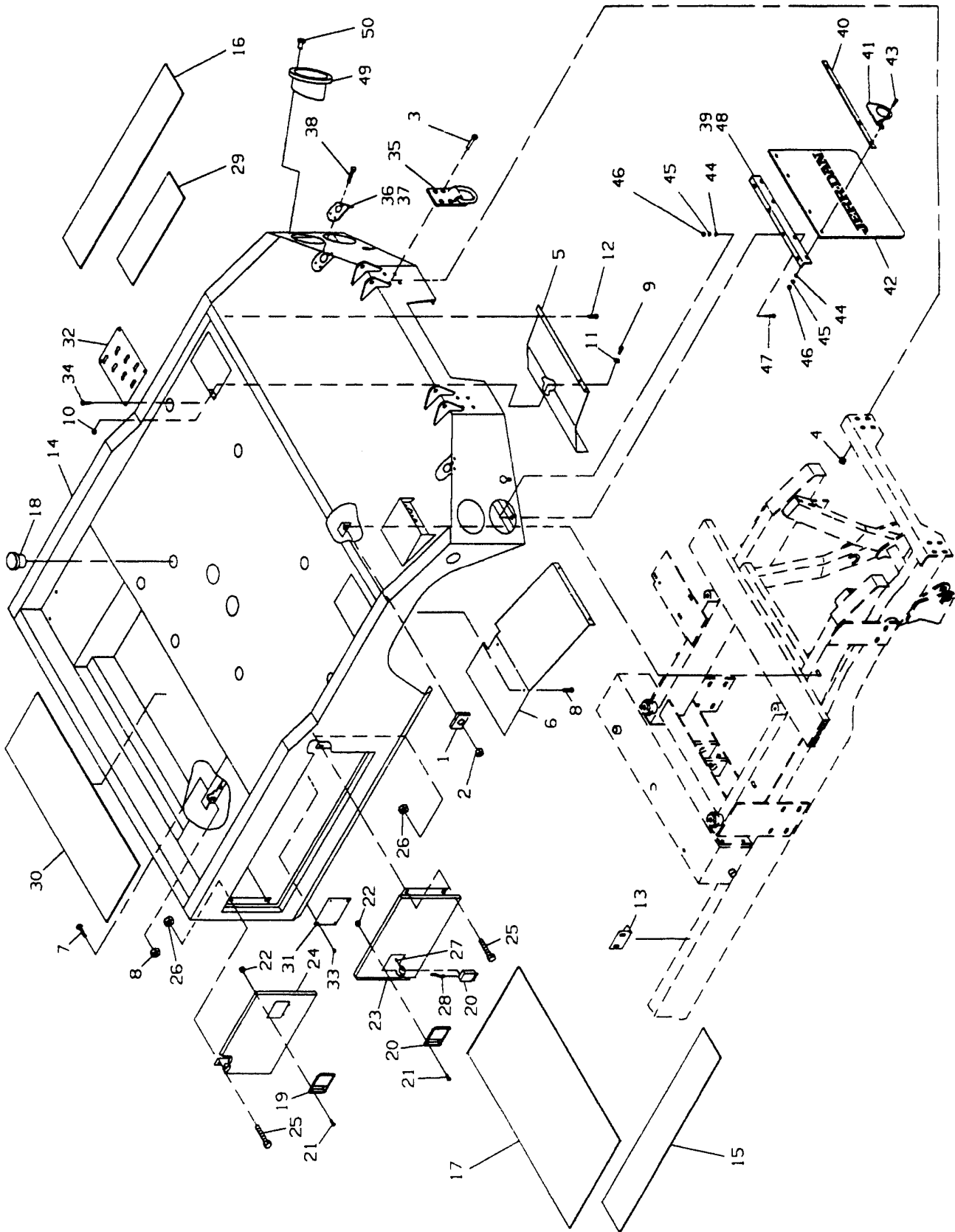
| <b>Ref. No.</b> | <b>Part No.</b> | <b>Description</b>         | <b>Qty.</b> |
|-----------------|-----------------|----------------------------|-------------|
| 45              | 7950150000      | Lockwasher                 | 14          |
| 46              | 7660150000      | Hexnut                     | 14          |
| 47              | 7111150850      | Capscrew                   | 6           |
| 48              | 4017000493      | Mounting Angle, R.H. - 19" | 1           |
|                 | 4017000495      | Mounting Angle, R.H. - 21" | 1           |
|                 | 4017000497      | Mounting Angle, R.H. - 24" | 1           |
| 49              | 7259000004      | Tail Light Housing         | 4           |
| 50              | 7790101611      | Screw                      | 12          |

A - HPL Applications  
B - MPG/EPG™ Applications

Rev. 1

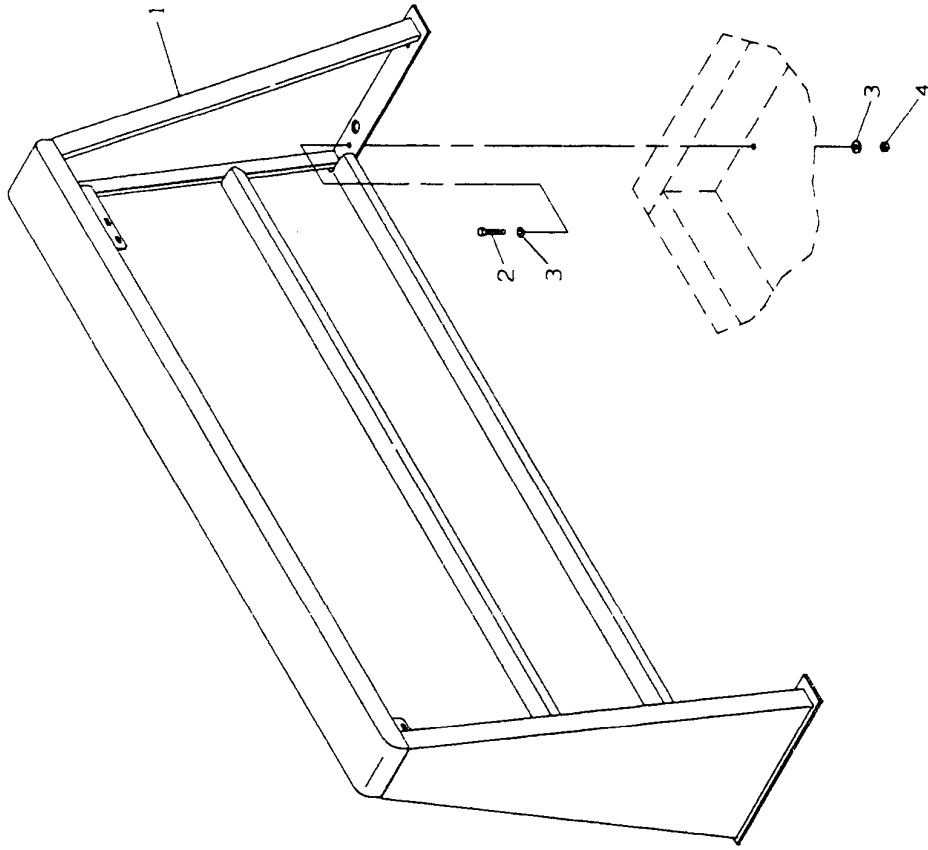
C-4

Date 5-1-96



Rev. 1  
 Date 5-1-96

HEADBOARD,  
84" C.A. BODY



Rev. 1

Date 5-1-96

---

**PARTS LIST - HEADBOARD  
84" C.A. BODY**

| <b>Ref. No.</b> | <b>Part No.</b> | <b>Description</b> | <b>Qty.</b> |
|-----------------|-----------------|--------------------|-------------|
| 1               | 3241000034      | Headboard - 24.75" | 1           |
|                 | 3241000035      | Headboard - 34"    |             |
|                 | 3241000036      | Headboard - 40"    |             |
| 2               | 7115181450      | Capscrew           | 4           |
| 3               | 7950180161      | Flatwasher         | 8           |
| 4               | 7660182601      | Locknut            | 4           |

Rev. 1

C-7

Date 5-1-96

**PARTS LIST — WIRING DIAGRAM**

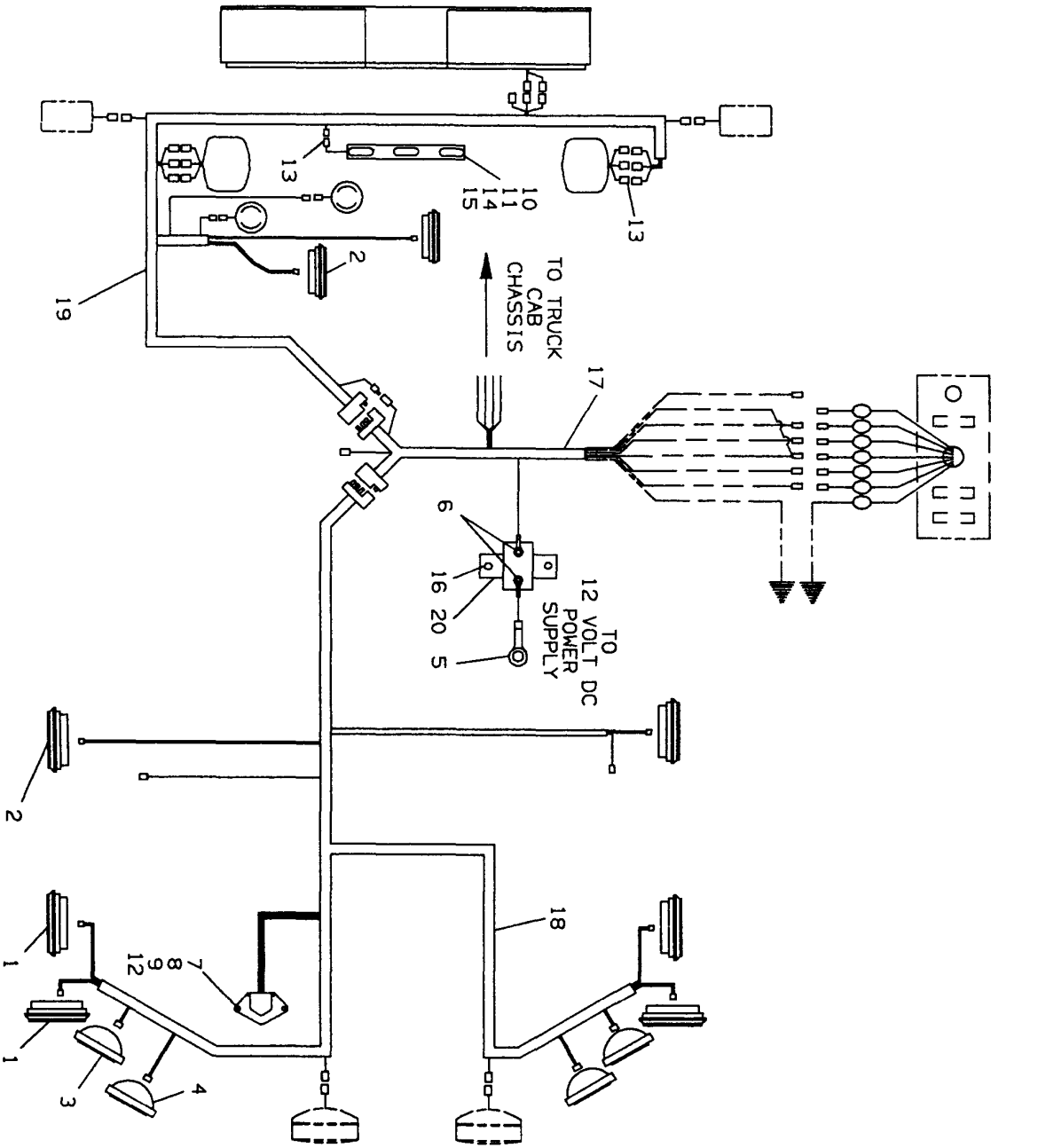
| <b>Ref. No.</b> | <b>Part No.</b> | <b>Description</b>     | <b>Qty.</b> |
|-----------------|-----------------|------------------------|-------------|
| 1               | 7590000009      | Red Marker Light       | 4           |
| 2               | 7590000010      | Amber Marker Light     | 4           |
| 3               | 7590000002      | Stop, Turn, Tail Light | 2           |
| 4               | 7590000003      | Clear Back Up Light    | 2           |
| 5               | 7345231901      | Terminal               | 1           |
| 6               | 7345211901      | Terminal               | 2           |
| 7               | 7291000003      | Receptacle             | 1           |
| 8               | 7111140613      | Screw                  | 2           |
| 9               | 7950140000      | Lockwasher             | 2           |
| 10              | 7590000007      | Bar Lamp               | 1           |
| 11              | 7114140818      | Capscrew               | 2           |
| 12              | 7413000002      | Nutsert                | 2           |
| 13              | 7345001703      | Bullet Terminal        | 7           |
| 14              | 7660142600      | Locknut                | 2           |
| 15              | 7950140161      | Flatwasher             | 2           |
| 16              | 7790100856      | Screw                  | 2           |
| 17              | 7552000001      | Wiring Harness         | 1           |
| 18              | 7552000043      | Wiring Harness         | 1           |
| 19              | 7552000044      | Wiring Harness         | 1           |
| 20              | 7457000004      | Circuit Breaker        | 1           |

Rev. \_\_\_\_\_

C-8

Date \_\_\_\_\_

WIRING DIAGRAM



| WIRE COLOR         | FUNCTION                          |
|--------------------|-----------------------------------|
| ORANGE             | ROTORATOR                         |
| BLUE               | TOOL BOX                          |
| BROWN              | CLEARANCE/<br>PARKING             |
| WHITE              | GROUND                            |
| WHITE/BLACK STRIPE | BEACON                            |
| PURPLE             | FLOOD LIGHTS                      |
| RED                | HAND CONTROL/<br>REAR WORK LIGHTS |
| GRAY               | 12VDC POWER SUPPLY                |
| GREEN              | RIGHT TURN/<br>STOP               |
| BLACK              | BACK UP                           |
| YELLOW             | LEFT TURN/<br>STOP                |

---

## WHEEL LIFT GRIDS PARTS

B-KE

D-1

Part Number 5-376-000013

**PARTS LIST - POWER GRID™ INSTALLATION**

| Ref. No. | Part No.                | Description         | Qty. |
|----------|-------------------------|---------------------|------|
| 1        | 3831000022              | Wheel Spacer, RH    | 1    |
| 2        | 7440030000              | Grease Fitting      | 1    |
| 3        | 7754000040 <sup>1</sup> | Ring                | 1    |
| 4        | 3691000125 <sup>1</sup> | Pin Weldment        | 1    |
| 5        | 7843000006 <sup>1</sup> | Compression Spring  | 1    |
| 6        | 7950150151 <sup>1</sup> | Flat Washer         | 1    |
| 7        | 7690051640 <sup>1</sup> | Spring Pin          | 1    |
| 8        | 4691000198              | Pin                 | 1    |
| 9        | 3484000027              | Wheel Grid Assembly | 1    |
| 10       | 3894000002              | Tie Strap Assembly  | 2    |
| 11       | 3561000004 <sup>2</sup> | Hook Weldment       | 1    |
| 12       | 7894000028 <sup>2</sup> | Ratchet             | 1    |
| 13       | 7894000026 <sup>2</sup> | Tie Strap           | 1    |
| 14       | 7754000024              | Retaining Ring      | 1    |
| 15       | 3831000021              | Wheel Spacer, LH    | 1    |
| 16       | 7690051640 <sup>3</sup> | Spring Pin          | 1    |
| 17       | 7754000040 <sup>3</sup> | Ring                | 1    |
| 18       | 3691000125 <sup>3</sup> | Pin Weldment        | 1    |
| 19       | 7843000006 <sup>3</sup> | Compression Spring  | 1    |
| 20       | 7950150151 <sup>3</sup> | Flat Washer         | 1    |
| 21       | 7701000007              | Hole Plug           | 1    |

<sup>1</sup> Part of item 1 (Wheel Spacer, RH)

<sup>2</sup> Part of item 10 (Tie Strap Assembly)

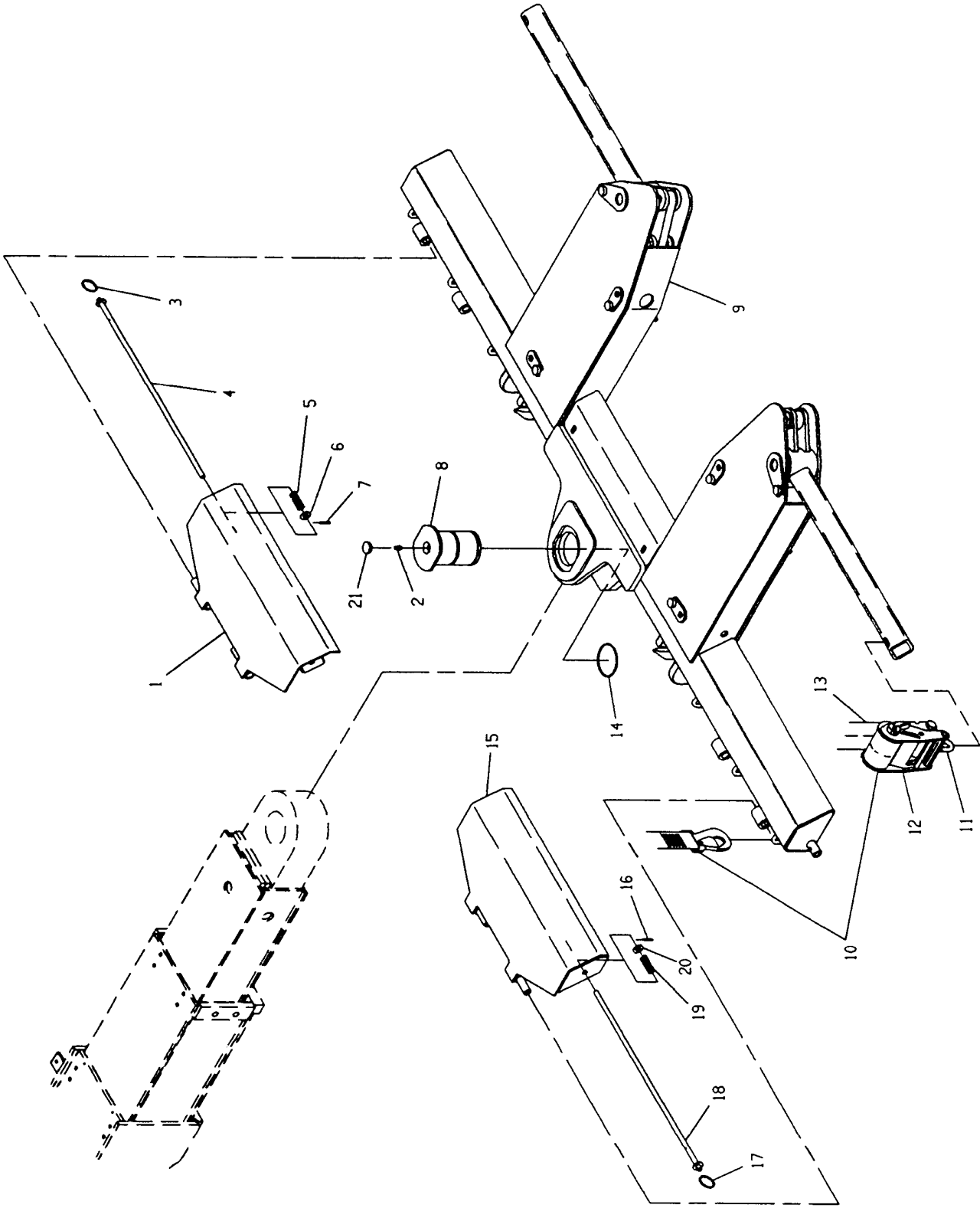
<sup>3</sup> Part of item 14 (Wheel Spacer, LH)

Rev. 2

D-14

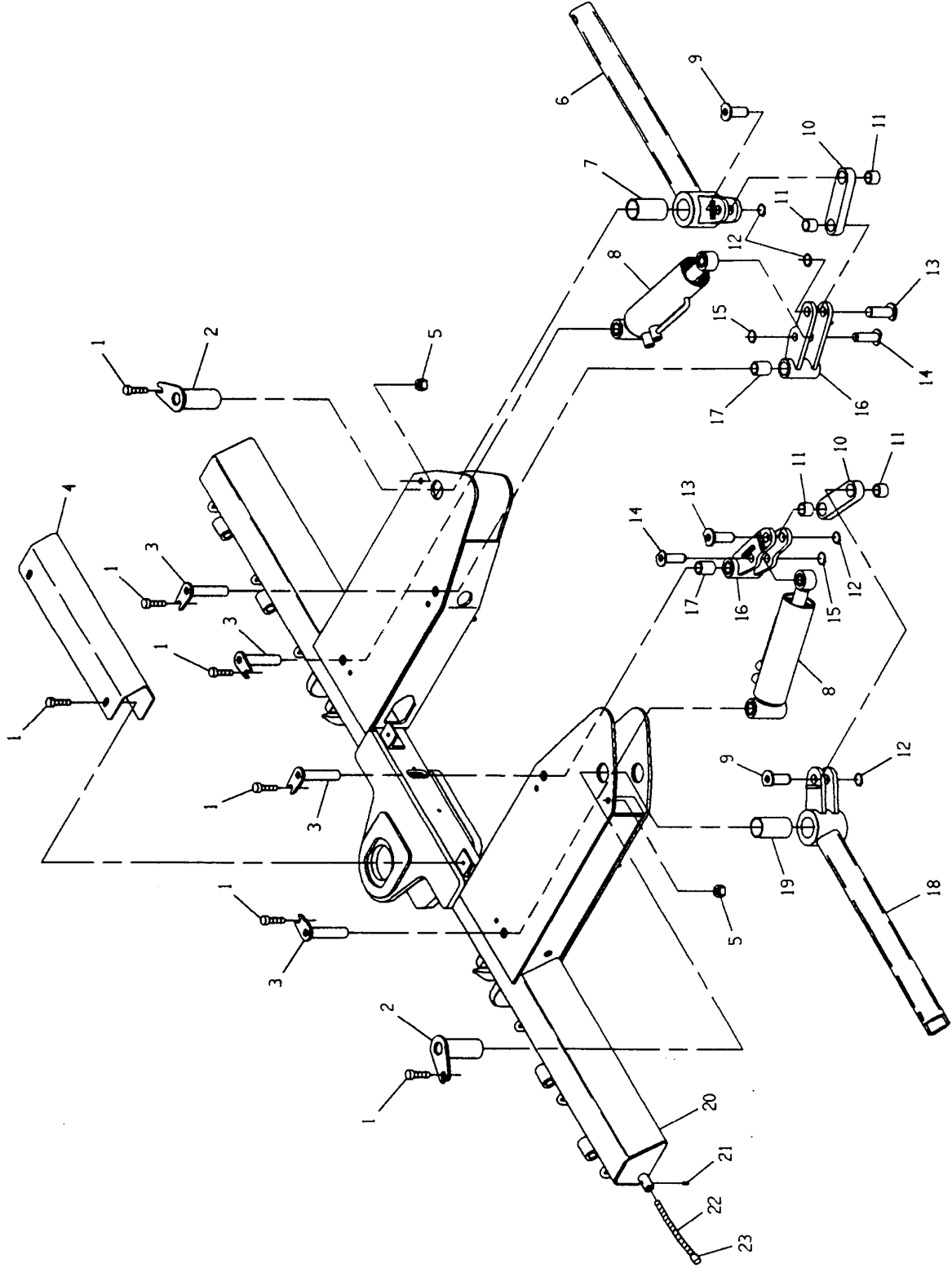
Date 2-15-96

POWER GRID™ INSTALLATION



Rev. 2  
Date 2-15-96

POWER GRID™ ASSEMBLY



Rev. 2

Date 2-15-96

**PARTS LIST - POWER GRID™ ASSEMBLY**

| <b>Ref. No.</b> | <b>Part No.</b>         | <b>Description</b>        | <b>Qty.</b> |
|-----------------|-------------------------|---------------------------|-------------|
| 1               | 7120000022              | Flange Head Screw         | 8           |
| 2               | 3691000120              | Pin Weldment              | 2           |
| 3               | 3691000121              | Pin Weldment              | 4           |
| 4               | 4314000033              | Cover Plate               | 1           |
| 5               | 7660162601              | Locknut                   | 4           |
| 6               | 3020000035              | Straight Arm Weldment, RH | 1           |
| 7               | 7211000002 <sup>1</sup> | Bushing                   | 1           |
| 8               | 3320000050              | Grid Cylinder             | 2           |
| 9               | 3691000123              | Pin Weldment              | 2           |
| 10              | 3592000017              | Single Link               | 2           |
| 11              | 7209000019 <sup>2</sup> | Bronze Bushing            | 4           |
| 12              | 7754000022              | Retaining Ring            | 4           |
| 13              | 3691000124              | Pin Weldment              | 2           |
| 14              | 3691000122              | Pin Weldment              | 2           |
| 15              | 7754000038              | Snap Ring                 | 2           |
| 16              | 3592000016              | Pivot Link Weldment       | 2           |
| 17              | 7209000020 <sup>3</sup> | Bronze Bushing            | 4           |
| 18              | 3020000036              | Straight Arm Weldment, LH | 1           |
| 19              | 7211000002 <sup>4</sup> | Bushing                   | 1           |
| 20              | 3484000026              | Grid Weldment             | 1           |
| 21              | 7785140400              | Set Screw                 | 2           |
| 22              | 4843000001              | Marker Spring             | 1           |
| 23              | 7254000006              | Black Cap                 | 1           |

<sup>1</sup> Part of item 6 (Straight Arm Weldment, RH)

<sup>2</sup> Part of item 10 (Single Link)

<sup>3</sup> Part of item 16 (Pivot Link Weldment)

<sup>4</sup> Part of item 18 (Straight Arm Weldment, LH)

Rev.   2  

D-17

Date   2-15-96

**PARTS LIST - GRID CYLINDER  
332000050**

| <b>Ref. No.</b> | <b>Part No.</b>         | <b>Description</b> | <b>Qty.</b> |
|-----------------|-------------------------|--------------------|-------------|
| 1               | 3071000047              | Barrel Weldment    | 1           |
| 2               | 7209000020 <sup>1</sup> | Bronze Bushing     | 2           |
| 3               | 7660202031              | Hex Nut            | 1           |
| 4               | 7754000030 <sup>3</sup> | Wear Ring          | 2           |
| 5               | 7796000026 <sup>3</sup> | Piston Seal        | 1           |
| 6               | 4698000011              | Piston             | 1           |
| 7               | 7755214609 <sup>3</sup> | Backup Ring        | 2           |
| 8               | 7755214000 <sup>3</sup> | O-Ring             | 1           |
| 9               | 7754000001 <sup>3</sup> | Retaining Ring     | 1           |
| 10              | 7755327000 <sup>3</sup> | O-Ring             | 1           |
| 11              | 7755327609 <sup>3</sup> | Backup Ring        | 1           |
| 12              | 4553000011              | Head               | 1           |
| 13              | 7754000036 <sup>3</sup> | Wear Ring          | 1           |
| 14              | 7796000023 <sup>3</sup> | Rod Seal           | 1           |
| 15              | 7796000005 <sup>3</sup> | Wiper              | 1           |
| 16              | 7754000025 <sup>3</sup> | Retaining Ring     | 1           |
| 17              | 3763000069              | Rod Weldment       | 1           |
| 18              | 7209000021 <sup>2</sup> | Bronze Bushing     | 1           |

<sup>1</sup> Part of item 2 (Barrel Weldment)

<sup>2</sup> Part of item 17 (Rod Weldment)

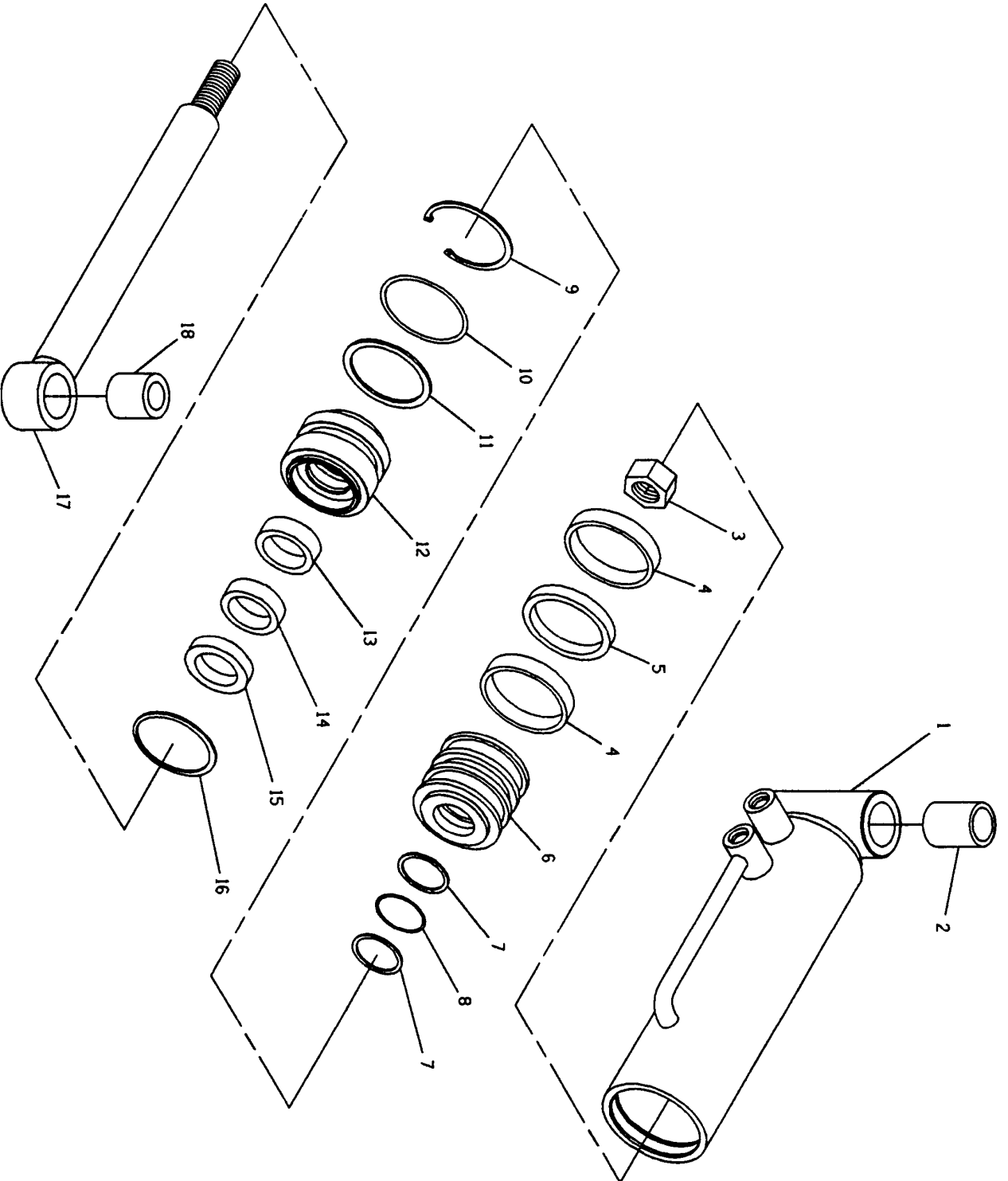
<sup>3</sup> Available only in Seal Kit No. 7577250023

Rev. 1

D-18

Date 10-1-95

GRID CYLINDER  
3320000050



---

**8DMRW  
DECK MOUNTED RECOVERY WINCH  
PARTS**

B-KE

E-1

Part Number 5-376-000017  
Rev. 1

**PARTS LIST — DECK MOUNTED RECOVERY WINCH**

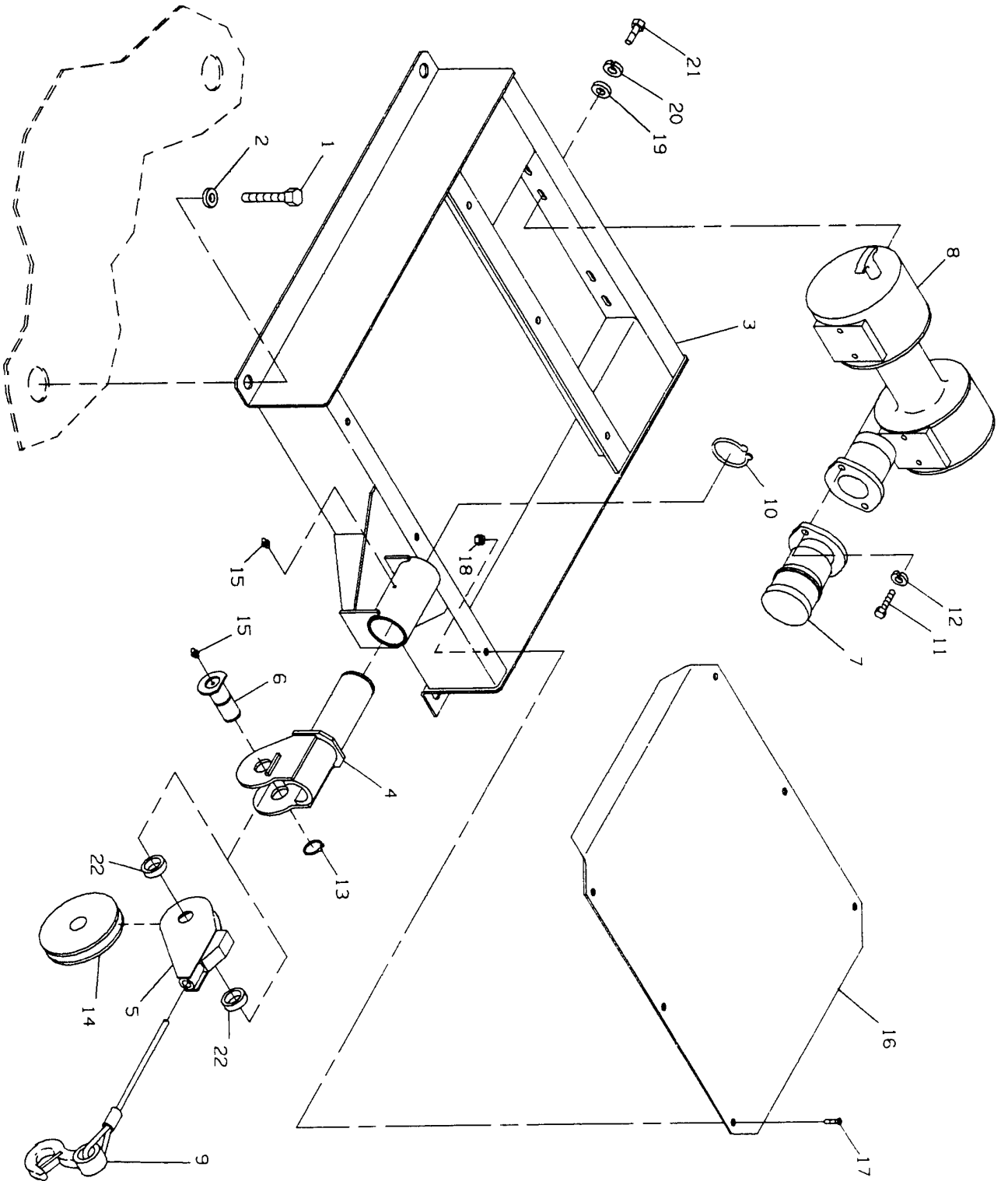
| <b>Ref. No.</b> | <b>Part No.</b> | <b>Description</b> | <b>Qty.</b> |
|-----------------|-----------------|--------------------|-------------|
| 1               | 7115241250      | Capscrew           | 4           |
| 2               | 7950240000      | Lockwasher         | 4           |
| 3               | 3502900010      | Winch Mount        | 1           |
| 4               | 3512900006      | Sheave Support     | 1           |
| 5               | 3510900068      | Cable Guide        | 1           |
| 6               | 3691000002      | Pin                | 1           |
| 7               | 7626000008      | Orbit Motor        | 1           |
| 8               | 7970000002      | 8,000# Winch       | 1           |
| 9               | 7248000001      | Cable              | 1           |
| 10              | 7754000005      | Retaining Ring     | 1           |
| 11              | 7111181050      | Capscrew           | 2           |
| 12              | 7950180400      | Lockwasher         | 2           |
| 13              | 7754000006      | Retaining Ring     | 1           |
| 14              | 7809000001      | Wire Rope Sheave   | 1           |
| 15              | 7440030000      | Grease Fitting     | 2           |
| 16              | 4314000004      | Cover Plate        | 1           |
| 17              | 7114140823      | Capscrew           | 6           |
| 18              | 7661000006      | Well Nut           | 6           |
| 19              | 7950160161      | Washer             | 8           |
| 20              | 7950160000      | Lockwasher         | 8           |
| 21              | 7115160850      | Capscrew           | 8           |
| 22              | 4209000019      | Bushing            | 2           |

Rev. \_\_\_\_\_

E-2

Date \_\_\_\_\_

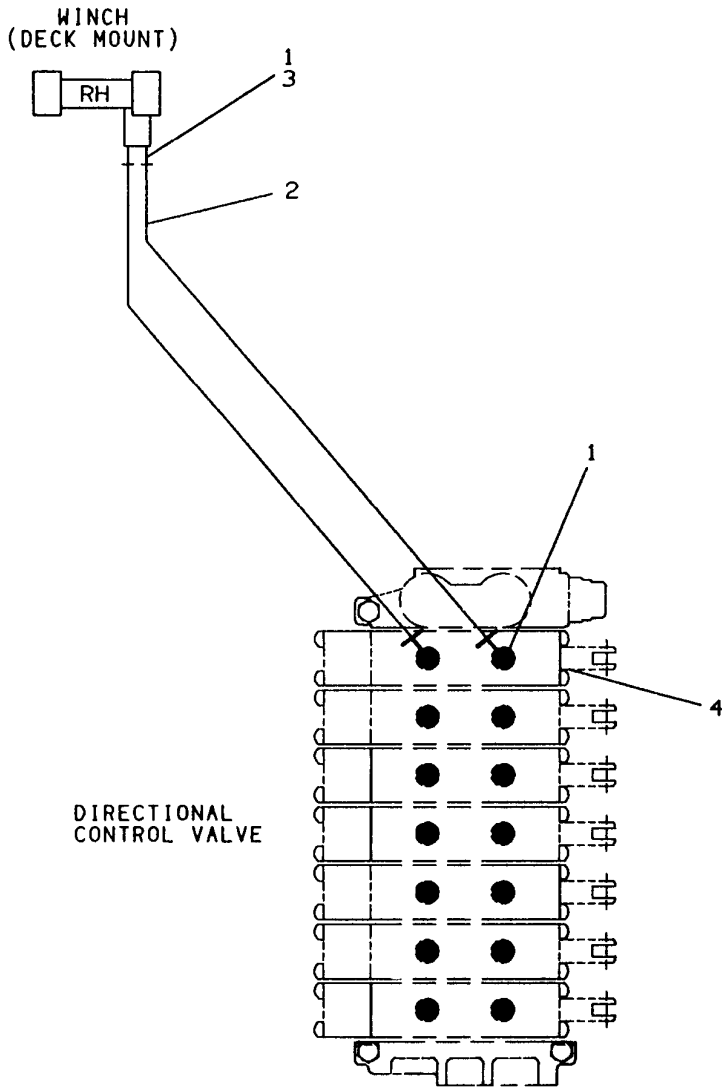
# DECK MOUNTED RECOVERY WINCH



E-3

Rev. \_\_\_\_\_  
Date \_\_\_\_\_

## HYDRAULIC COMPONENTS



| Ref. No. | Part No.   | Description            | Qty. |
|----------|------------|------------------------|------|
| 1        | 7445081043 | Adapter                | 4    |
| 2        | 4567332075 | Hose                   | 2    |
| 3        | 7443000023 | Elbow                  | 2    |
| 4        | 7935000076 | Valve Relief Cartridge | 1    |

Rev. 1

E-5

Date 6-1-96

**PARTS LIST — 8,000# WINCH**

| <b>Ref. No.</b> | <b>Part No.</b> | <b>Description</b> | <b>Qty.</b> |
|-----------------|-----------------|--------------------|-------------|
| 1               | 276028          | Shift              | 1           |
| 2               | 300057          | Adapter            | 1           |
| 3               | 302809          | Angle              | 2           |
|                 | 302810          | Angle              | 2           |
| 4               | 316083          | Bearing Cap        | 1           |
| 5               | 324160          | Jaw Clutch         | 1           |
| 6               | 328134          | Cover              | 1           |
| 7               | 332007          | Drum               | 1           |
|                 | 332105          | Drum               |             |
| 8               | 334161          | Gear R.H.          | 1           |
|                 | 334163          | Gear R.H.          | 1           |
|                 | 334165          | Gear R.H.          | 1           |
| 9               | 336010          | Handle             | 1           |
| 10              | 338208          | Clutch Housing     | 1           |
| 11              | 338273          | Gear Housing       | 1           |
| 12              | 342027          | Key                | 1           |
| 13              | 357479          | Drum Shaft         | 1           |
|                 | 357481          | Drum Shaft         | 1           |
| 14              | 368002          | Worm R.H.          | 1           |
|                 | 368007          | Worm R.H.          | 1           |
|                 | 368011          | Worm R.H.          | 1           |
| 15              | 402002          | Ball Bearing       | 2           |
| 16              | 412003          | Bushing            | 4           |
| 17              | 412045          | Bushing            | 1           |
| 18              | 414038          | Capscrew           | 10          |
| 19              | 414045          | Capscrew           | 4           |
| 20              | 414279          | Capscrew           | 2           |
| 21              | 414282          | Capscrew           | 6           |
| 22              | 414842          | Capscrew           | 4           |
| 23              | 414952          | Capscrew           | 2           |
| 24              | 416030          | Setscrew           | 1           |
| 25              | 416059          | Setscrew           | 1           |
| 26              | 418177          | Lockwasher         | 8           |
| 27              | 418218          | Lockwasher         | 2           |
| 28              | 431008          | Coupling           | 1           |
| 29              | 438014          | Brake Disc         | 1           |
| 30              | 442184          | Gasket             | 2           |
| 31              | 442205          | Gasket             | 1           |
| 32              | 450006          | Key                | 2           |
| 33              | 450016          | Key                | 4           |
| 34              | 456001          | Lube Fitting       | 2           |
| 35              | 456008          | Relief Fitting     | 1           |
| 36              | 458050          | Hydraulic Motor    | 1           |
| 37              | 468002          | Reducer            | 1           |
| 38              | 468011          | Pipe Plug          | 2           |
| 39              | 470033          | Spirol Pin         | 1           |
| 40              | 472012          | Plug               | 1           |
| 41              | 472013          | Plug               | 1           |
| 42              | 486009          | Oil Seal           | 1           |
| 43              | 486017          | Oil Seal           | 1           |
| 44              | 494002          | Spring             | 2           |

Rev. \_\_\_\_\_

E-6

Date \_\_\_\_\_

---

**PARTS LIST — 8,000# WINCH**

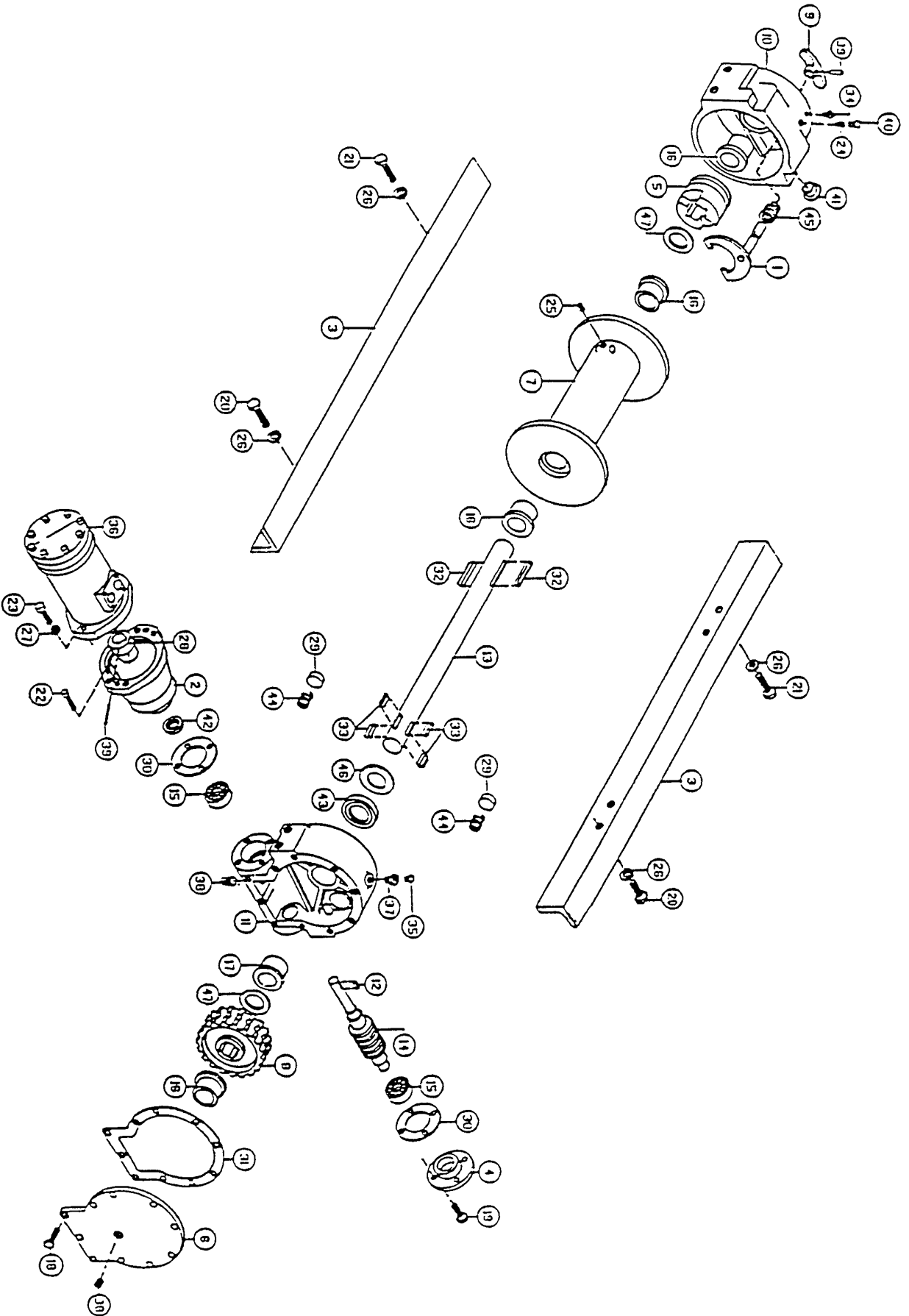
| <b>Ref. No.</b> | <b>Part No.</b> | <b>Description</b> | <b>Qty.</b> |
|-----------------|-----------------|--------------------|-------------|
| 45              | 494053          | Spring             | 1           |
| 46              | 518014          | Thrust Washer      | 1           |
| 47              | 518015          | Thrust Washer      | 2           |

E-7

Rev. \_\_\_\_\_

Date \_\_\_\_\_

8,000# WINCH



---

**H408S  
4-TON WRECKER BOOM  
PARTS**

B-KE

E-1

Part Number 5-376-000014  
Rev. 1

**PARTS LIST — WRECKER BOOM**

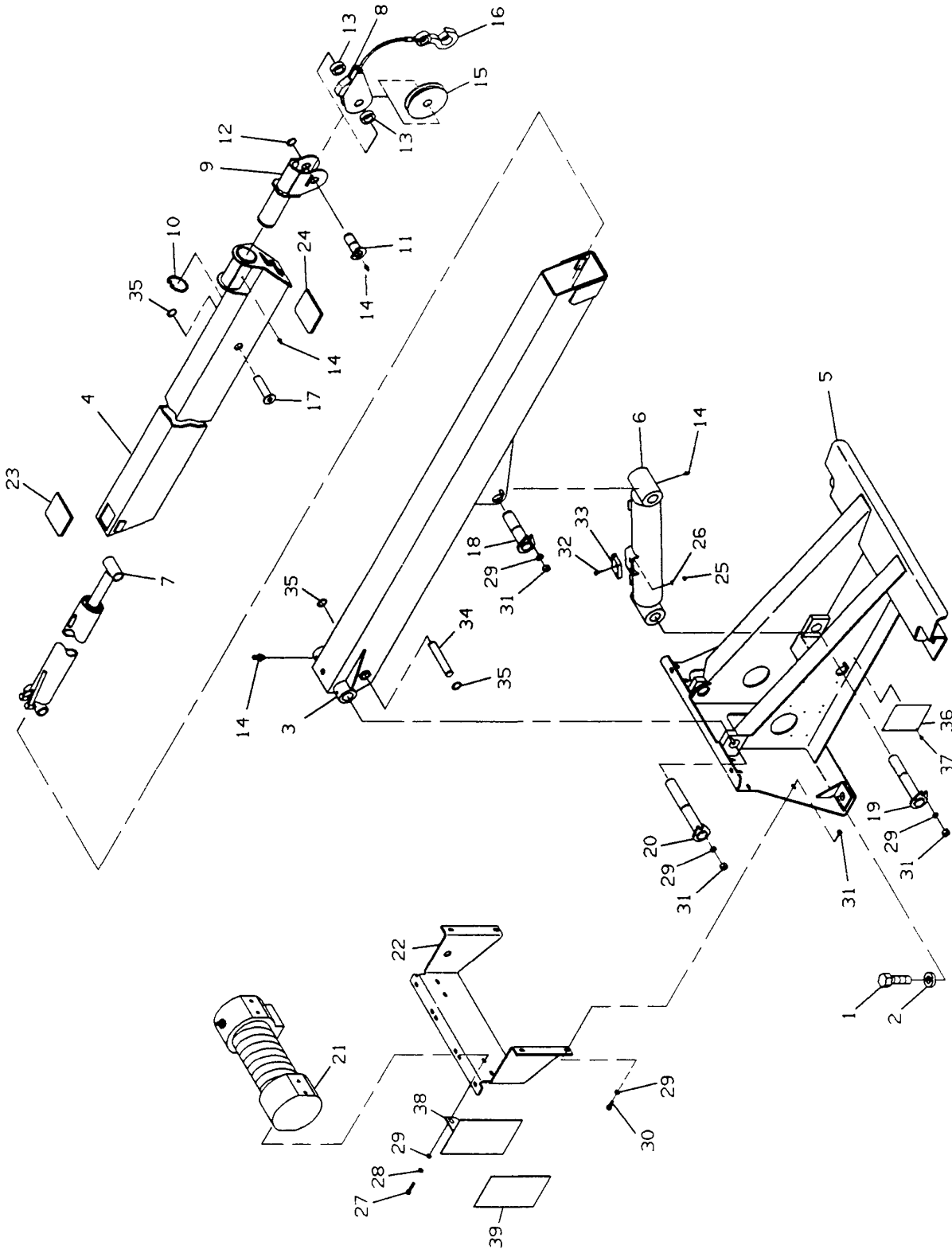
| <b>Ref. No.</b> | <b>Part No.</b> | <b>Description</b>    | <b>Qty.</b> |
|-----------------|-----------------|-----------------------|-------------|
| 1               | 7115241650      | Capscrew              | 4           |
| 2               | 7950240162      | Flatwasher            | 4           |
| 3               | 3170000067      | Base Section          | 1           |
| 4               | 3170000066      | Fly Section           | 1           |
| 5               | 3073000005      | Base                  | 1           |
| 6               | 3320000044      | Lift Cylinder         | 1           |
| 7               | 3320000045      | Extension Cylinder    | 1           |
| 8               | 3510900068      | Cable Guide           | 1           |
| 9               | 3512900006      | Sheave Support        | 1           |
| 10              | 7754000005      | Retaining Ring        | 1           |
| 11              | 3691000002      | Pin                   | 1           |
| 12              | 7754000006      | Retaining Ring        | 1           |
| 13              | 4209000019      | Bushing               | 2           |
| 14              | 7440030000      | Grease Fitting        | 7           |
| 15              | 7809000001      | Wire Rope Sheave      | 1           |
| 16              | 7248000003      | Cable                 | 1           |
| 17              | 3691000113      | Pin                   | 1           |
| 18              | 3691000103      | Pin                   | 1           |
| 19              | 3691000104      | Pin                   | 1           |
| 20              | 3691000105      | Pin                   | 1           |
| 21              | 7970000005      | 8,000# Winch          | 1           |
| 22              | 4314000024      | Winch Mount           | 1           |
| 23              | 4679000088      | Slide Pad             | 1           |
| 24              | 4679000089      | Slide Pad             | 1           |
| 25              | 7660152600      | Hexnut                | 2           |
| 26              | 7950150161      | Flatwasher            | 2           |
| 27              | 7115160850      | Capscrew              | 8           |
| 28              | 7950160000      | Lockwasher            | 8           |
| 29              | 7950160959      | Flatwasher            | 19          |
| 30              | 7115161050      | Capscrew              | 4           |
| 31              | 7660162601      | Locknut               | 7           |
| 32              | 7111151650      | Capscrew              | 2           |
| 33              | 7935000001      | Counter Balance Valve | 1           |
| 34              | 4691000120      | Telescope Pin         | 1           |
| 35              | 7754000019      | Retaining Ring        | 3           |
| 36              | 7330000145      | Wrecker Boom Placard  | 1           |
| 37              | 7759000004      | Pop Rivet             | 4           |
| 38              | 4706001255      | Decal Mounting Plate  | 1           |
| 39              | 7330000138      | Operators Checklist   | 1           |

Rev. 1

E-2

Date 6-1-96

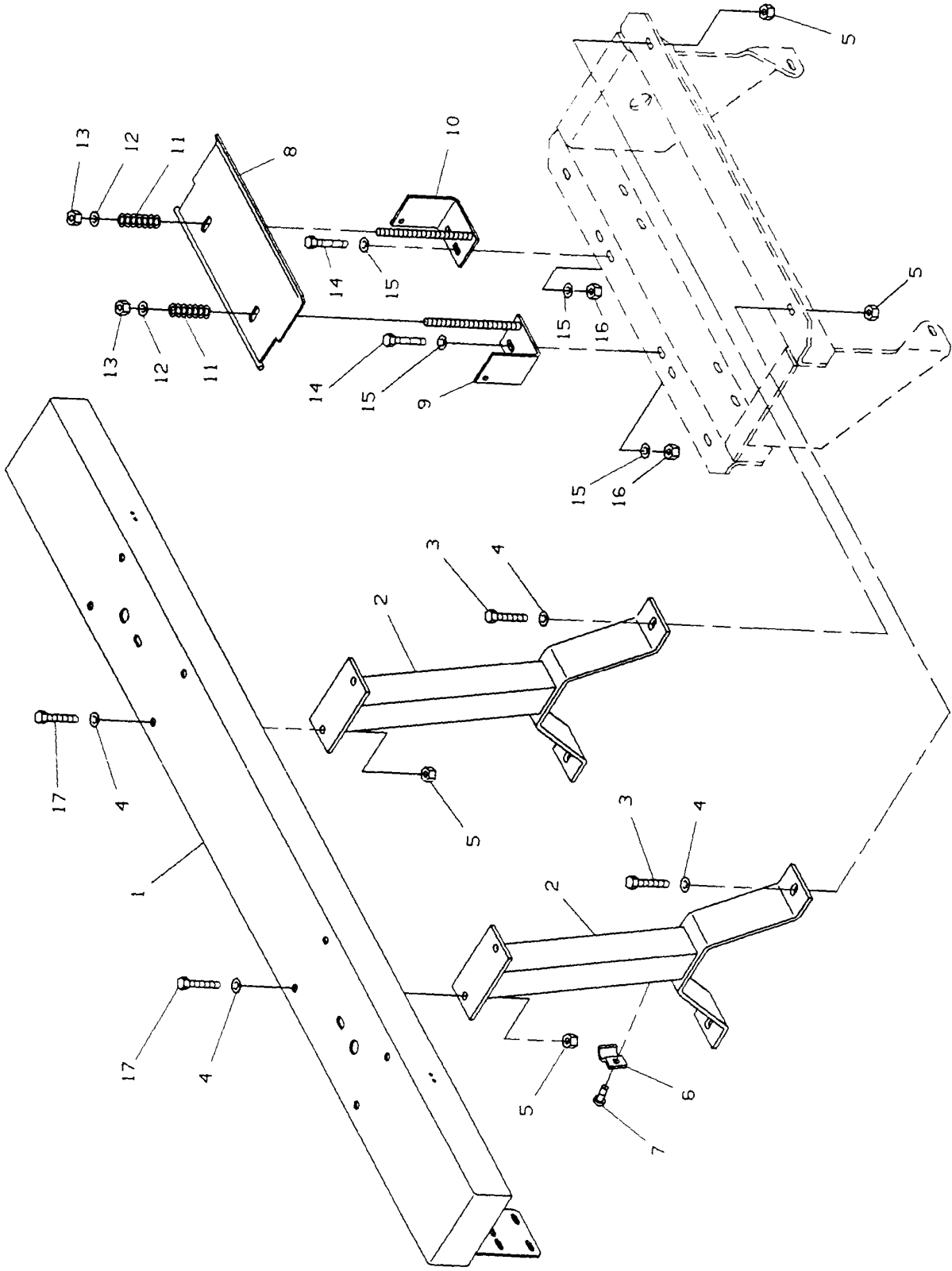
WRECKER BOOM



Rev. 1

Date 6-1-96

# LIGHT PYLON AND CABLE TENSIONER



---

**PARTS LIST — LIGHT PYLON AND CABLE TENSIONER**

| <b>Ref. No.</b> | <b>Part No.</b> | <b>Description</b>     | <b>Qty.</b> |
|-----------------|-----------------|------------------------|-------------|
| 1               | 3263000011      | Channel                | 1           |
| 2               | 3178000060      | Mounting Bracket (17") | 2           |
|                 | 3178000100      | Mounting Bracket (27") | 2           |
| 3               | 7115161050      | Capscrew               | 4           |
| 4               | 7950150161      | Flatwasher             | 8           |
| 5               | 7660162601      | Locknut                | 8           |
| 6               | 7280000001      | Jiffy Clip             | 2           |
| 7               | 7790100856      | Screw                  | 2           |
| 8               | 3706000008      | Pressure Plate         | 1           |
| 9               | 3017000003      | Angle, LH              | 1           |
| 10              | 3017000002      | Angle, RH              | 1           |
| 11              | 7843000004      | Spring                 | 2           |
| 12              | 7950180161      | Flatwasher             | 4           |
| 13              | 7660182600      | Locknut                | 2           |
| 14              | 7111161050      | Capscrew               | 4           |
| 15              | 7950160161      | Flatwasher             | 8           |
| 16              | 7660162601      | Locknut                | 4           |
| 17              | 7115160850      | Capscrew               | 4           |

Rev. 1

E-5

Date 6-1-96

**PARTS LIST — LIFT CYLINDER  
3320000044**

| <b>Ref. No.</b> | <b>Part No.</b> | <b>Description</b> | <b>Qty.</b> |
|-----------------|-----------------|--------------------|-------------|
| 1               | 3763000056      | Cylinder Rod       | 1           |
| 2               | 7754000028      | Retaining Ring     | 1           |
| 3               | 4553000009      | Aluminum Head      | 1           |
| 4               | 7796000011*     | Rod Wiper Seal     | 1           |
| 5               | 7796000025*     | Rod Seal           | 1           |
| 6               | 7754000012*     | Piston Wear Ring   | 1           |
| 7               | 7755342609*     | Backup Ring        | 1           |
| 8               | 7755342000*     | O-Ring             | 1           |
| 9               | 7754000013      | Retaining Ring     | 1           |
| 10              | 7755226609*     | Backup Ring        | 2           |
| 11              | 7755226000*     | O-Ring             | 1           |
| 12              | 4698000008      | Piston             | 1           |
| 13              | 7754000011*     | Piston Wear Ring   | 2           |
| 14              | 7796000009*     | Piston Seal        | 1           |
| 15              | 7660341631      | Locknut            | 1           |
| 16              | 3071000042      | Barrel             | 1           |

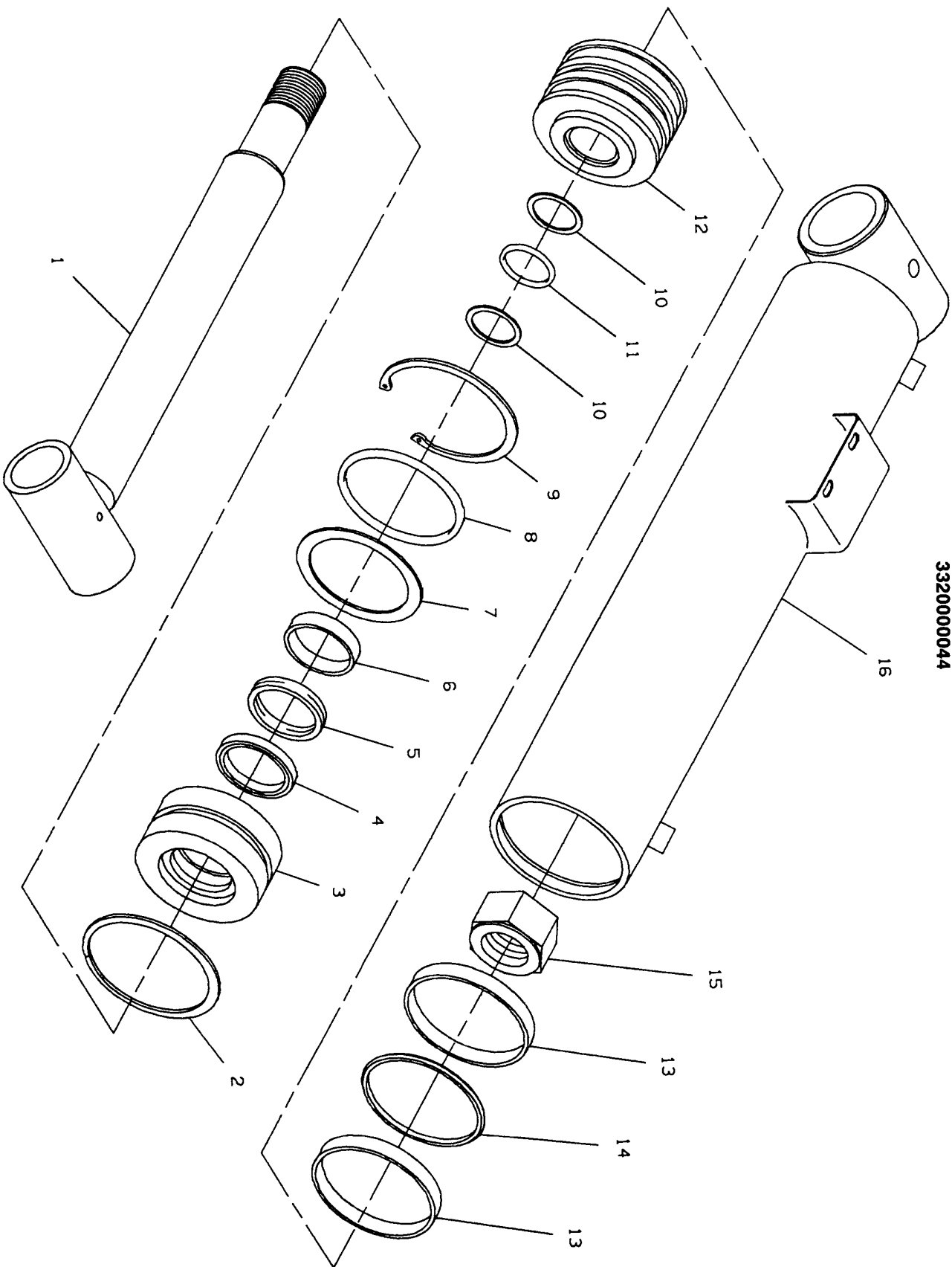
\* - Available only in Service Kit No. 7577250044

Rev. \_\_\_\_\_

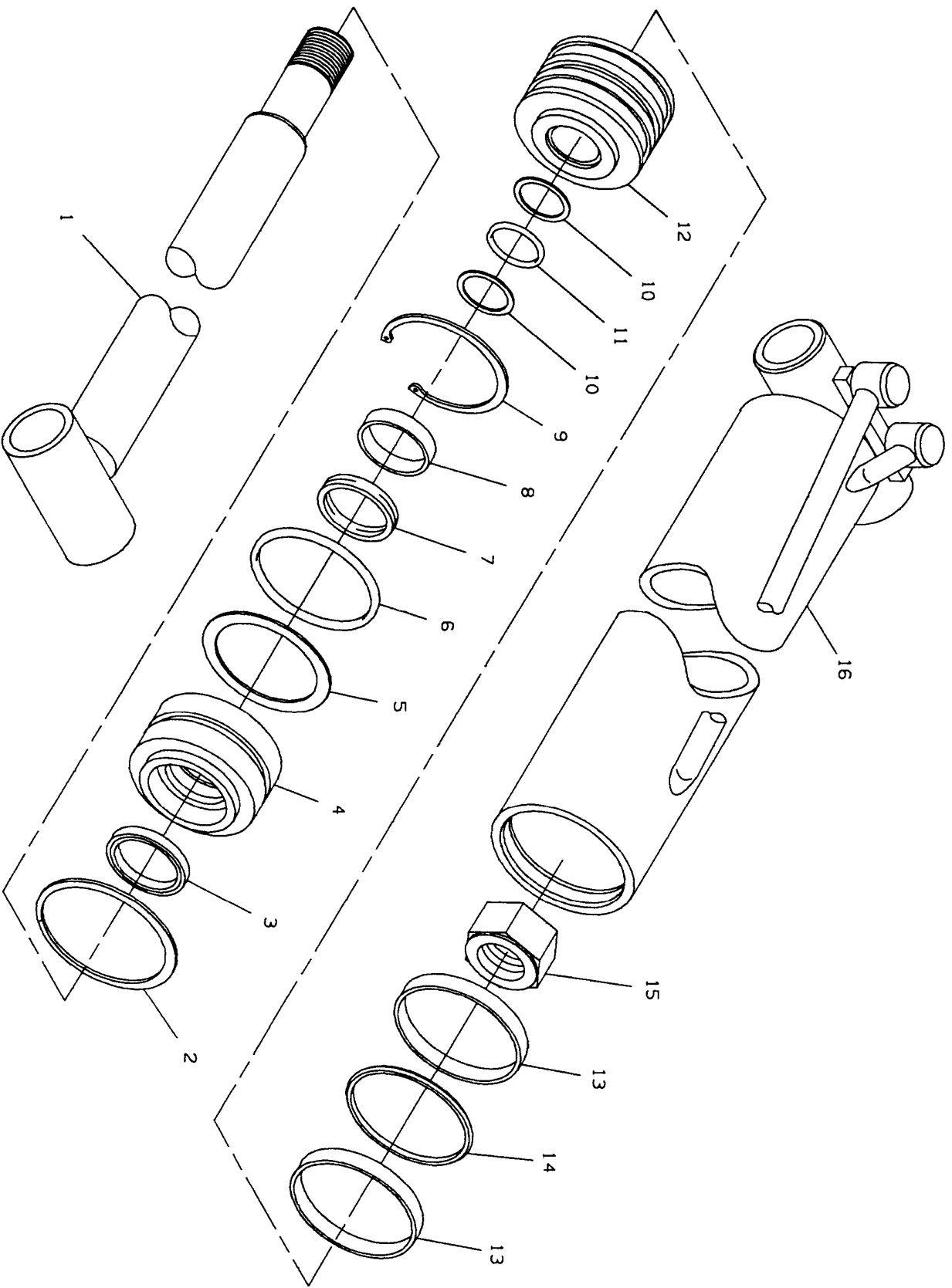
E-6

Date \_\_\_\_\_

LIFT CYLINDER  
3320000044



**WRECKER BOOM EXTENSION CYLINDER**  
3320000045



**PARTS LIST — WRECKER BOOM EXTENSION CYLINDER  
332000045**

| <b>Ref. No.</b> | <b>Part No.</b> | <b>Description</b> | <b>Qty.</b> |
|-----------------|-----------------|--------------------|-------------|
| 1               | 3763000057      | Cylinder Rod       | 1           |
| 2               | 7754000025      | Retaining Ring     | 1           |
| 3               | 7796000005*     | Rod Wiper Seal     | 1           |
| 4               | 4553000011      | Aluminum Head      | 1           |
| 5               | 7755327609*     | Backup Ring        | 1           |
| 6               | 7755327000*     | O-Ring             | 1           |
| 7               | 7796000023*     | Rod Seal           | 1           |
| 8               | 7754000036*     | Piston Wear Ring   | 1           |
| 9               | 7754000001      | Retaining Ring     | 1           |
| 10              | 7755214609*     | Backup Ring        | 2           |
| 11              | 7755214000*     | O-Ring             | 1           |
| 12              | 4698000011      | Piston             | 1           |
| 13              | 7796000030*     | Piston Wear Ring   | 2           |
| 14              | 7796000026*     | Piston Seal        | 1           |
| 15              | 7660202031      | Locknut            | 1           |
| 16              | 3071000043      | Barrel             | 1           |

\* - Available only Service Kit No. 7577250041

Rev. 1

E-9

Date 6-1-96

**PARTS LIST - HYDRAULIC COMPONENTS**

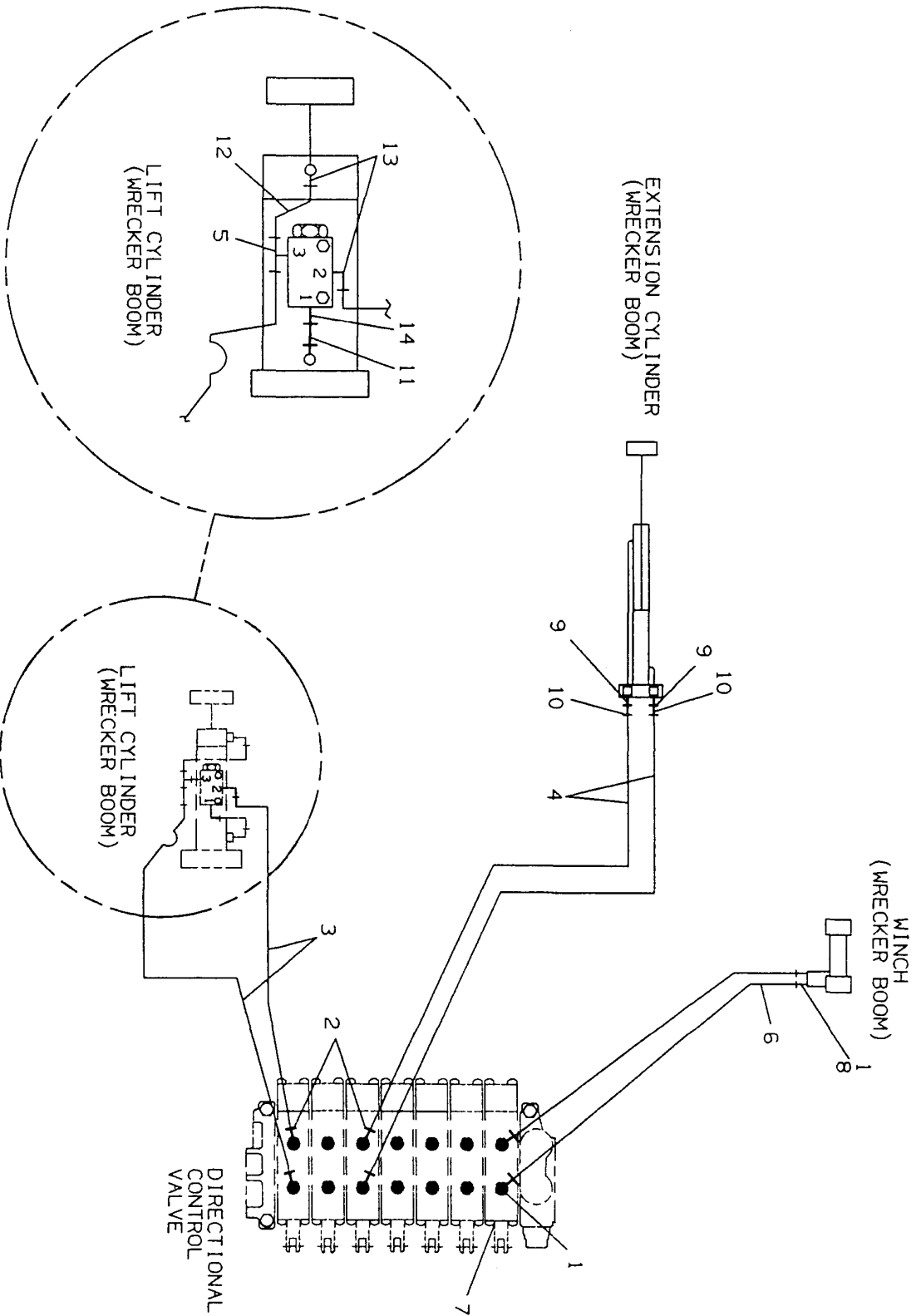
| <b>Ref. No.</b> | <b>Part No.</b> | <b>Description</b>     | <b>Qty.</b> |
|-----------------|-----------------|------------------------|-------------|
| 1               | 7445081043      | Adapter                | 4           |
| 2               | 7445061043      | Adapter                | 4           |
| 3               | 4567322064      | Hose                   | 2           |
| 4               | 4567122055      | Hose                   | 2           |
| 5               | 7445060647      | Tee Branch             | 1           |
| 6               | 4567332075      | Hose                   | 2           |
| 7               | 7935000076      | Valve Relief Cartridge | 1           |
| 8               | 7443000023      | Elbow - 90°            | 2           |
| 9               | 7445060643      | Adapter                | 2           |
| 10              | 7445060672      | Elbow - 90°            | 2           |
| 11              | 7912000028      | Line Tube              | 1           |
| 12              | 7912000029      | Line Tube              | 1           |
| 13              | 7445060645      | Elbow                  | 2           |
| 14              | 7445060646      | Elbow                  | 1           |

Rev. 1

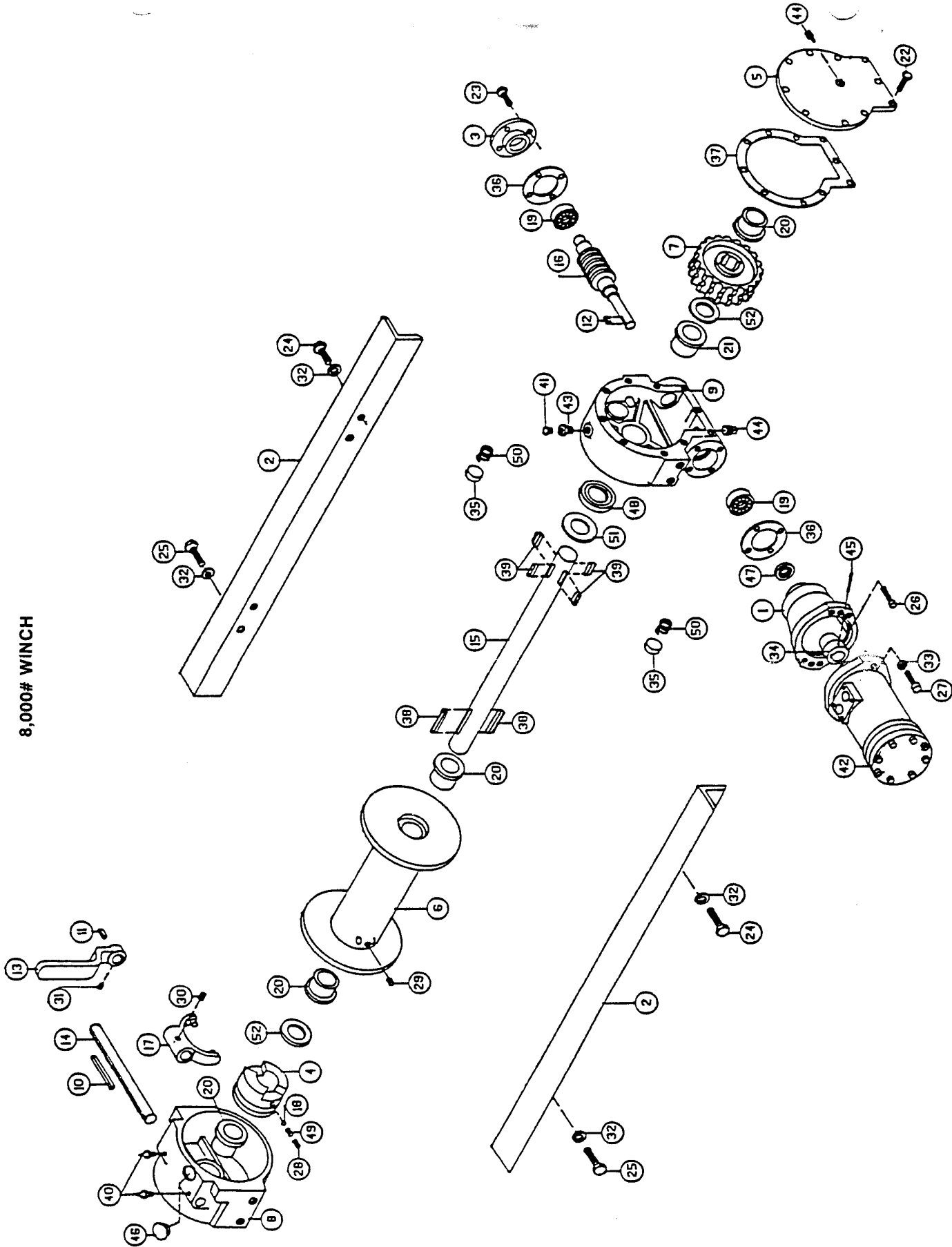
E-10

Date 6-1-96

# HYDRAULIC COMPONENTS



8,000# WINCH



Rev. \_\_\_\_\_  
Date \_\_\_\_\_

**PARTS LIST — 8,000# WINCH**

| <b>Ref. No.</b> | <b>Part No.</b> | <b>Description</b> | <b>Qty.</b> |
|-----------------|-----------------|--------------------|-------------|
| 1               | 300057          | Adapter            | 1           |
| 2               | 302809          | Angle              | 2           |
|                 | 302810          | Angle              | 2           |
| 3               | 316083          | Bearing Cap        | 1           |
| 4               | 324161          | Jaw Clutch         | 1           |
| 5               | 328134          | Cover              | 1           |
| 6               | 332105          | Drum               | 1           |
|                 | 332007          | Drum               | 1           |
| 7               | 334161          | Gear R.H.          | 1           |
|                 | 334163          | Gear R.H.          | 1           |
|                 | 334165          | Gear R.H.          | 1           |
| 8               | 338003          | Clutch Housing     | 1           |
| 9               | 338273          | Gear Housing       | 1           |
| 10              | 242018          | Key                | 1           |
| 11              | 342024          | Key                | 1           |
| 12              | 342027          | Key                | 1           |
| 13              | 344008          | Lever              | 1           |
| 14              | 356902          | Shaft              | 1           |
| 15              | 357479          | Drum Shaft         | 1           |
|                 | 357480          | Drum Shaft         | 1           |
| 16              | 368002          | Worm, R.H.         | 1           |
|                 | 368007          | Worm, R.H.         | 1           |
|                 | 368011          | Worm, R.H.         | 1           |
| 17              | 370001          | Yoke               | 1           |
| 18              | 400001          | Poppet Ball        | 1           |
| 19              | 402002          | Ball Bearing       | 2           |
| 20              | 412003          | Bushing            | 4           |
| 21              | 412045          | Bushing            | 1           |
| 22              | 414038          | Capscrew           | 10          |
| 23              | 414045          | Capscrew           | 4           |
| 24              | 414279          | Capscrew           | 2           |
| 25              | 414282          | Capscrew           | 6           |
| 26              | 414842          | Capscrew           | 4           |
| 27              | 414952          | Capscrew           | 2           |
| 28              | 416040          | Setscrew           | 1           |
| 29              | 416059          | Setscrew           | 1           |
| 30              | 416084          | Setscrew           | 1           |
| 31              | 416109          | Setscrew           | 1           |
| 32              | 418177          | Lockwasher         | 8           |
| 33              | 418218          | Lockwasher         | 2           |
| 34              | 431008          | Coupling           | 1           |
| 35              | 438014          | Brake Disc         | 1           |
| 36              | 442184          | Gasket             | 2           |
| 37              | 442205          | Gasket             | 1           |
| 38              | 450006          | Key                | 2           |
| 39              | 450016          | Key                | 4           |
| 40              | 456006          | Lube Fitting       | 2           |
| 41              | 456008          | Relief Fitting     | 1           |
| 42              | 458050          | Hydraulic Motor    | 1           |
| 43              | 468002          | Reducer            | 1           |
| 44              | 468011          | Pipe Plug          | 2           |

Rev. \_\_\_\_\_

E-13

Date \_\_\_\_\_

---

**PARTS LIST — 8,000# WINCH**

| <b>Ref. No.</b> | <b>Part No.</b> | <b>Description</b> | <b>Qty.</b> |
|-----------------|-----------------|--------------------|-------------|
| 45              | 470033          | Spirol Pin         | 1           |
| 46              | 472013          | Plug               | 1           |
| 47              | 486009          | Oil Seal           | 1           |
| 48              | 486017          | Oil Seal           | 1           |
| 49              | 494001          | Spring             | 1           |
| 50              | 494002          | Spring             | 2           |
| 51              | 518014          | Thrust Washer      | 1           |
| 52              | 518015          | Thrust Washer      | 2           |

Rev. \_\_\_\_\_

E-14

Date \_\_\_\_\_

---

**0808S AND 0808D  
8-TON WRECKER BOOM  
PARTS**

B-KE

E-1

Part Number 5-376-000015  
Rev. 1

**PARTS LIST - SINGLE WINCH WRECKER BOOM**

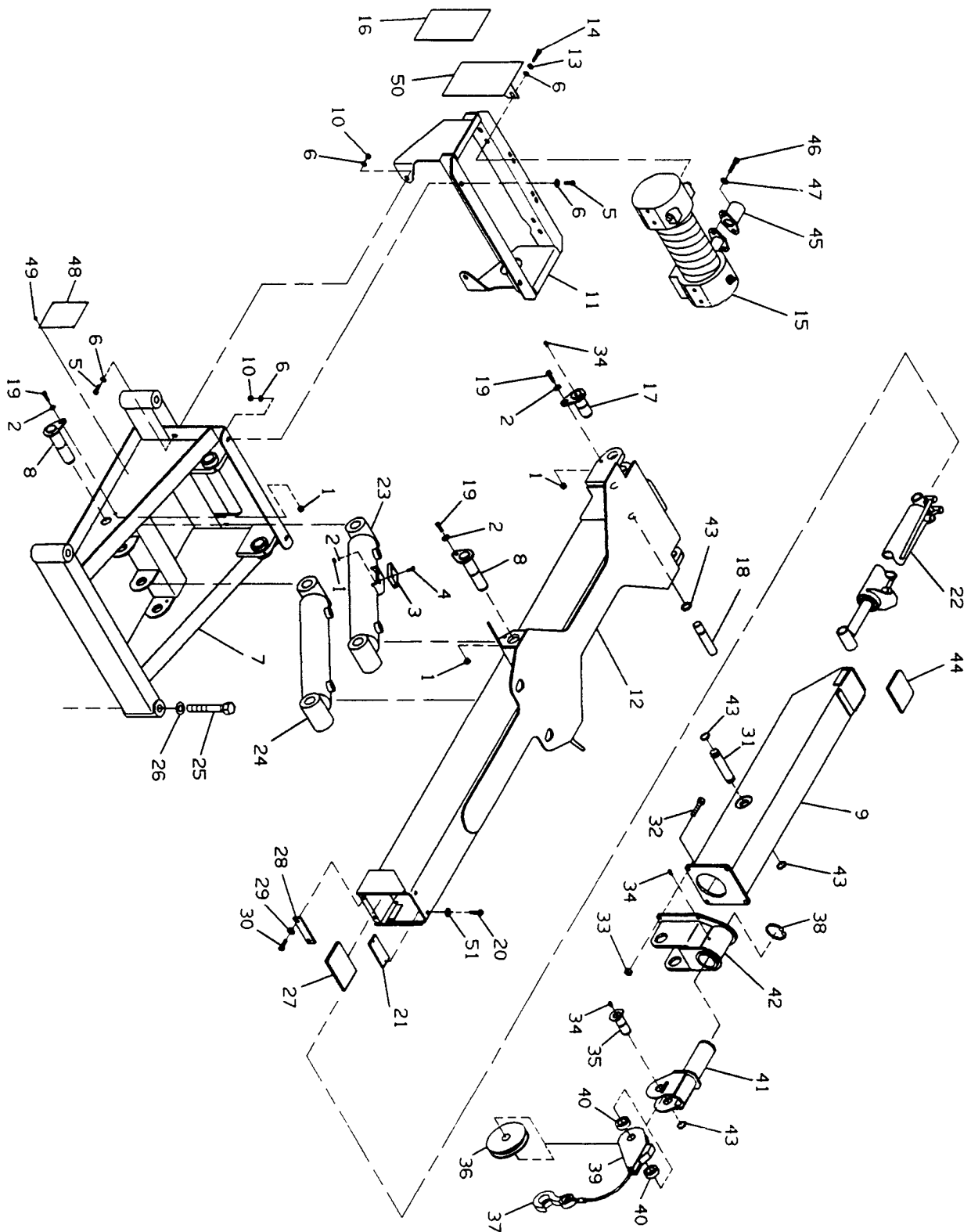
| Ref. No. | Part No.   | Description          | Qty. |
|----------|------------|----------------------|------|
| 1        | 7660152600 | Locknut              | 8    |
| 2        | 7950150161 | Flatwasher           | 8    |
| 3        | 7935000001 | Counterbalance Valve | 1    |
| 4        | 7111151650 | Capscrew             | 2    |
| 5        | 7115161050 | Capscrew             | 4    |
| 6        | 7950160959 | Flatwasher           | 16   |
| 7        | 3511100079 | Base                 | 1    |
| 8        | 3691000075 | Pin                  | 4    |
| 9        | 3510100060 | Fly Section          | 1    |
| 10       | 7660162601 | Locknut              | 4    |
| 11       | 3510100050 | Single Winch Mount   | 1    |
| 12       | 3510100062 | Base Section         | 1    |
| 13       | 7950160000 | Lockwasher           | 8    |
| 14       | 7115160850 | Capscrew             | 8    |
| 15       | 7970000005 | 8000# Winch          | 1    |
| 16       | 7330000138 | Operator's Checklist | 1    |
| 17       | 3691000076 | Pin                  | 2    |
| 18       | 4691000179 | Pin                  | 1    |
| 19       | 7115151050 | Capscrew             | 6    |
| 20       | 7118140418 | Capscrew             | 2    |
| 21       | 4706000067 | Plate                | 1    |
| 22       | 3320000007 | Extension Cylinder   | 1    |
| 23       | 3320000011 | Lift Cylinder, L.H.  | 1    |
| 24       | 3320000012 | Lift Cylinder, R.H.  | 1    |
| 25       | 7115245650 | Capscrew             | 4    |
| 26       | 7950240161 | Flatwasher           | 4    |
| 27       | 4679000005 | Wear Pad             | 1    |
| 28       | 4706000160 | Plate                | 1    |
| 29       | 7950180000 | Lockwasher           | 2    |
| 30       | 7115180850 | Capscrew             | 2    |
| 31       | 4691000027 | Pin                  | 1    |
| 32       | 7115181250 | Capscrew             | 4    |
| 33       | 7660182600 | Locknut              | 4    |
| 34       | 7440030000 | Grease Fitting       | 8    |
| 35       | 3691000002 | Pin                  | 1    |
| 36       | 7809000001 | Sheave               | 1    |
| 37       | 7248000003 | Cable Assembly       | 1    |
| 38       | 7754000005 | Retaining Ring       | 1    |
| 39       | 3510900068 | Cable Guide          | 1    |
| 40       | 4209000019 | Bushing              | 2    |
| 41       | 3512900006 | Sheave Support       | 1    |
| 42       | 3510100058 | Boom Nose            | 1    |
| 43       | 7754000006 | Retaining Ring       | 6    |
| 44       | 4679000004 | Wear Pad             | 1    |
| 45       | 7626000008 | Orbit Motor          | 1    |
| 46       | 7115181050 | Capscrew             | 2    |
| 47       | 7950180400 | Lockwasher           | 2    |
| 48       | 7330000145 | Wrecker Boom Placard | 1    |
| 49       | 7759000004 | Pop Rivets           | 4    |
| 50       | 4706001255 | Decal Mounting Plate | 1    |
| 51       | 7950140161 | Flatwasher           | 2    |

Rev. 1

E-2

Date 6-1-96

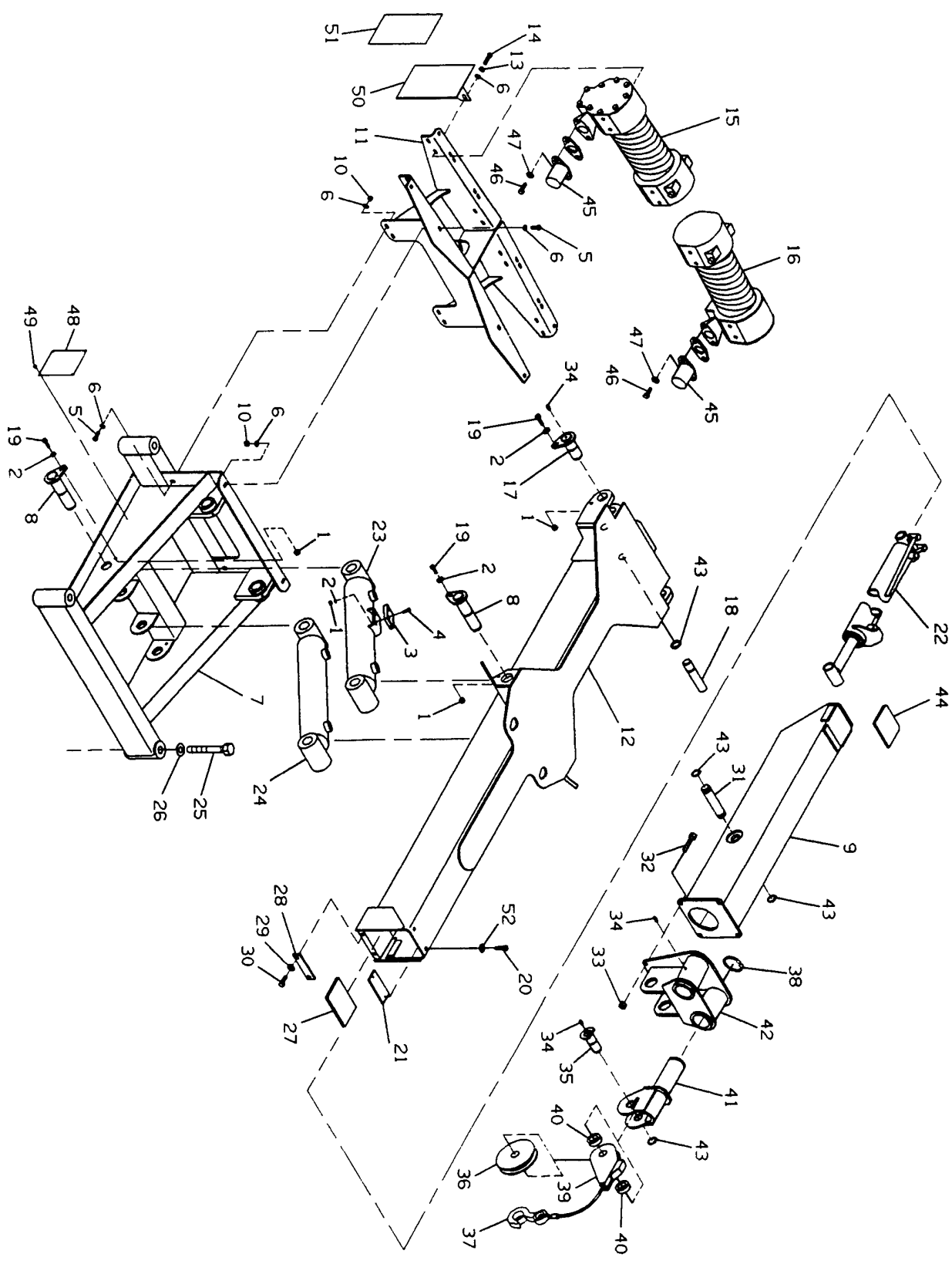
SINGLE WINCH WRECKER BOOM



E-3

Rev. 1  
Date 6-1-96

DUAL WINCH WRECKER BOOM



E-4

Rev. 1  
Date 6-1-96

**PARTS LIST - DUAL WINCH WRECKER BOOM**

| Ref. No. | Part No.   | Description          | Qty. |
|----------|------------|----------------------|------|
| 1        | 7660152600 | Locknut              | 8    |
| 2        | 7950150161 | Flatwasher           | 8    |
| 3        | 7935000001 | Counterbalance Valve | 1    |
| 4        | 7111151650 | Capscrew             | 2    |
| 5        | 7115161050 | Capscrew             | 6    |
| 6        | 7950160959 | Flatwasher           | 32   |
| 7        | 3511100079 | Base                 | 1    |
| 8        | 3691000075 | Pin                  | 4    |
| 9        | 3510100060 | Fly Section          | 1    |
| 10       | 7660162601 | Locknut              | 6    |
| 11       | 3510100051 | Winch Mount          | 1    |
| 12       | 3510100062 | Base Section         | 1    |
| 13       | 7950160000 | Lockwasher           | 16   |
| 14       | 7115160850 | Capscrew             | 16   |
| 15       | 7970000005 | 8000# Winch, L.H.    | 1    |
| 16       | 7970000004 | 8000# Winch, R.H.    | 1    |
| 17       | 3691000076 | Pin                  | 2    |
| 18       | 4691000179 | Pin                  | 1    |
| 19       | 7115151050 | Capscrew             | 6    |
| 20       | 7118140418 | Capscrew             | 2    |
| 21       | 4706000067 | Plate                | 1    |
| 22       | 3320000007 | Extension Cylinder   | 1    |
| 23       | 3320000011 | Lift Cylinder, L.H.  | 1    |
| 24       | 3320000012 | Lift Cylinder, R.H.  | 1    |
| 25       | 7115245650 | Capscrew             | 4    |
| 26       | 7950240161 | Flatwasher           | 4    |
| 27       | 4679000005 | Wear Pad             | 1    |
| 28       | 4706000160 | Plate                | 1    |
| 29       | 7950180000 | Lockwasher           | 2    |
| 30       | 7115180850 | Capscrew             | 2    |
| 31       | 4691000027 | Pin                  | 1    |
| 32       | 7115181450 | Capscrew             | 4    |
| 33       | 7660182600 | Locknut              | 4    |
| 34       | 7440030000 | Grease Fitting       | 10   |
| 35       | 3691000134 | Pin                  | 2    |
| 36       | 7809000001 | Sheave               | 2    |
| 37       | 7248000003 | Cable Assembly       | 2    |
| 38       | 7754000018 | Retaining Ring       | 2    |
| 39       | 3249000002 | Cable Guide          | 2    |
| 40       | 4209000019 | Bushing              | 4    |
| 41       | 3502900023 | Sheave Support       | 2    |
| 42       | 3502100024 | Boom Nose            | 1    |
| 43       | 7754000006 | Retaining Ring       | 6    |
| 44       | 4679000004 | Wear Pad             | 1    |
| 45       | 7626000008 | Orbit Motor          | 2    |
| 46       | 7115181050 | Capscrew             | 4    |
| 47       | 7950180400 | Lockwasher           | 4    |
| 48       | 7330000145 | Wrecker Boom Placard | 1    |
| 49       | 7759000004 | Pop Rivets           | 4    |
| 50       | 4706001255 | Decal Mounting Plate | 1    |
| 51       | 7330000138 | Operator's Checklist | 1    |
| 52       | 7590140161 | Flatwasher           | 2    |

Rev. 1

E-5

Date 6-1-96

**PARTS LIST — LIGHT PYLON AND CABLE TENSIONER**

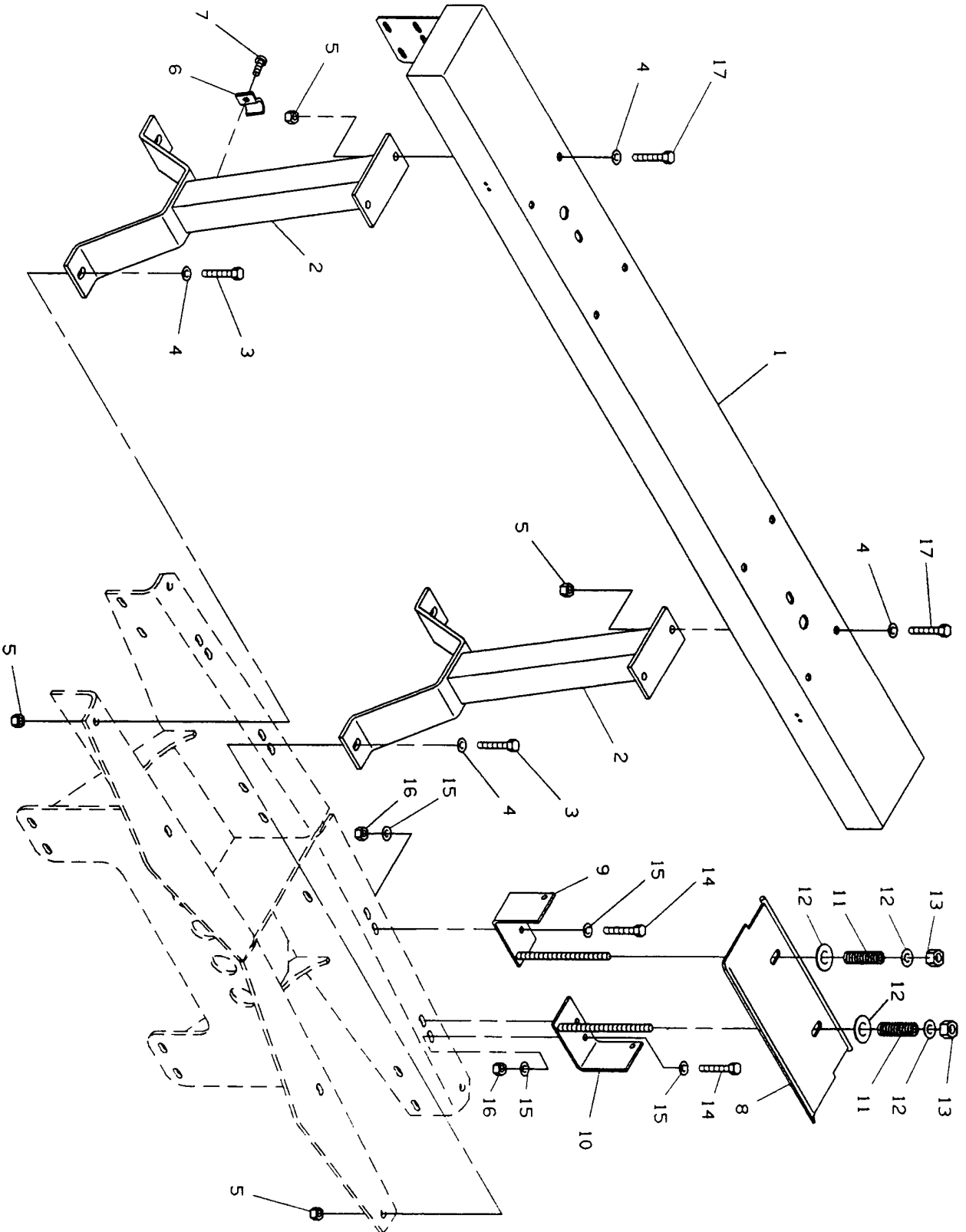
| <b>Ref. No.</b> | <b>Part No.</b> | <b>Description</b>     | <b>Qty.</b> |
|-----------------|-----------------|------------------------|-------------|
| 1               | 3263000011      | Channel                | 1           |
| 2               | 3178000060      | Mounting Bracket (17") | 2           |
|                 | 3178000100      | Mounting Bracket (27") | 2           |
| 3               | 7115161050      | Capscrew               | 4           |
| 4               | 7950150161      | Flatwasher             | 8           |
| 5               | 7660162601      | Locknut                | 8           |
| 6               | 7280000001      | Jiffy Clip             | 2           |
| 7               | 7790100856      | Screw                  | 2           |
| 8               | 3706000008      | Pressure Plate         | 1           |
| 9               | 3017000003      | Angle, LH              | 1           |
| 10              | 3017000002      | Angle, RH              | 1           |
| 11              | 7843000004      | Spring                 | 2           |
| 12              | 7950180161      | Flatwasher             | 4           |
| 13              | 7660182600      | Locknut                | 2           |
| 14              | 7111161050      | Capscrew               | 4           |
| 15              | 7950160161      | Flatwasher             | 8           |
| 16              | 7660162601      | Locknut                | 4           |
| 17              | 7115160850      | Capscrew               | 4           |

Rev. 1

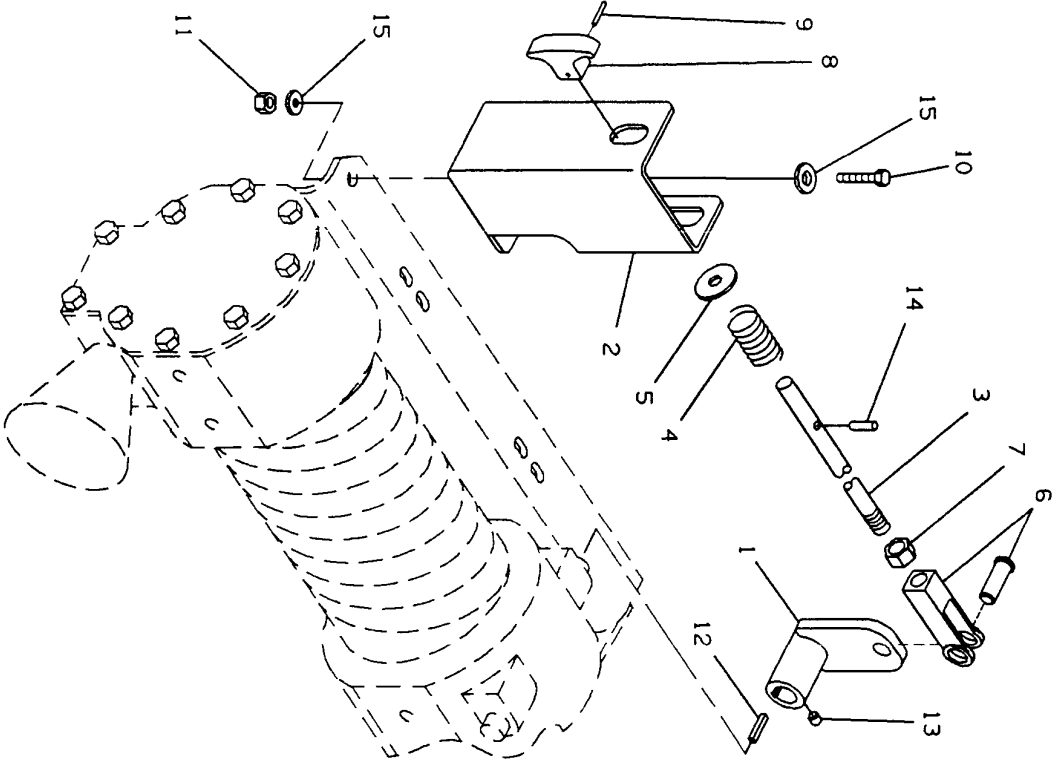
E-6

Date 6-1-96

# LIGHT PYLON AND CABLE TENSIONER



REMOTE FREE SPOOL



\*NOTE: R.H. SHOWN  
L.H. OPPOSITE

**PARTS LIST — REMOTE FREE SPOOL**

| <b>Ref. No.</b> | <b>Part No.</b> | <b>Description</b> | <b>Qty.</b> |
|-----------------|-----------------|--------------------|-------------|
| 1               | 3587000007      | Lever              | 1           |
| 2               | 4178000167      | Bracket, R.H.      | 1           |
|                 | 4178000166      | Bracket, L.H.      | 1           |
| 3               | 3587000008      | Shaft              | 1           |
| 4               | 7843000010      | Compression Spring | 1           |
| 5               | 7950180161      | Flatwasher         | 1           |
| 6               | 7308000013      | Yoke and Clevis    | 1           |
| 7               | 7660180030      | Hexnut             | 1           |
| 8               | 4551000005      | Handle             | 1           |
| 9               | 7690051640      | Spring Pin         | 1           |
| 10              | 7115161250      | Capscrew           | 1           |
| 11              | 7660160000      | Hexnut             | 1           |
| 12              | 4575060600      | Keystock           | 1           |
| 13              | 9785960003      | Set Screw          | 1           |
| 14              | 7690102045      | Spring Pin         | 1           |
| 15              | 7950160162      | Flatwasher         | 2           |

Rev. 1

E-9

Date 6-1-96

---

**PARTS LIST — R.H. WRECKER BOOM LIFT CYLINDER  
332000012**

| <b>Ref. No.</b> | <b>Part No.</b> | <b>Description</b> | <b>Qty.</b> |
|-----------------|-----------------|--------------------|-------------|
| 1               | 3763000041      | Cylinder Rod       | 1           |
| 2               | 7660342031      | Locknut            | 1           |
| 3               | 7754000011*     | Piston Wear Ring   | 2           |
| 4               | 7796000009*     | Piston Seal        | 1           |
| 5               | 4698000008      | Piston             | 1           |
| 6               | 7755226609*     | Backup Ring        | 2           |
| 7               | 7755226000*     | O-Ring             | 1           |
| 8               | 7754000028      | Retaining Ring     | 1           |
| 9               | 7755342000*     | O-Ring             | 1           |
| 10              | 7755342609*     | Backup Ring        | 1           |
| 11              | 7754000012*     | Wear Ring          | 1           |
| 12              | 7796000025*     | Rod Seal           | 1           |
| 13              | 7796000011*     | Rod Wiper Seal     | 1           |
| 14              | 4553000009      | Head               | 1           |
| 15              | 7754000013      | Retaining Ring     | 1           |
| 16              | 3071000012      | Barrel, RH         | 1           |

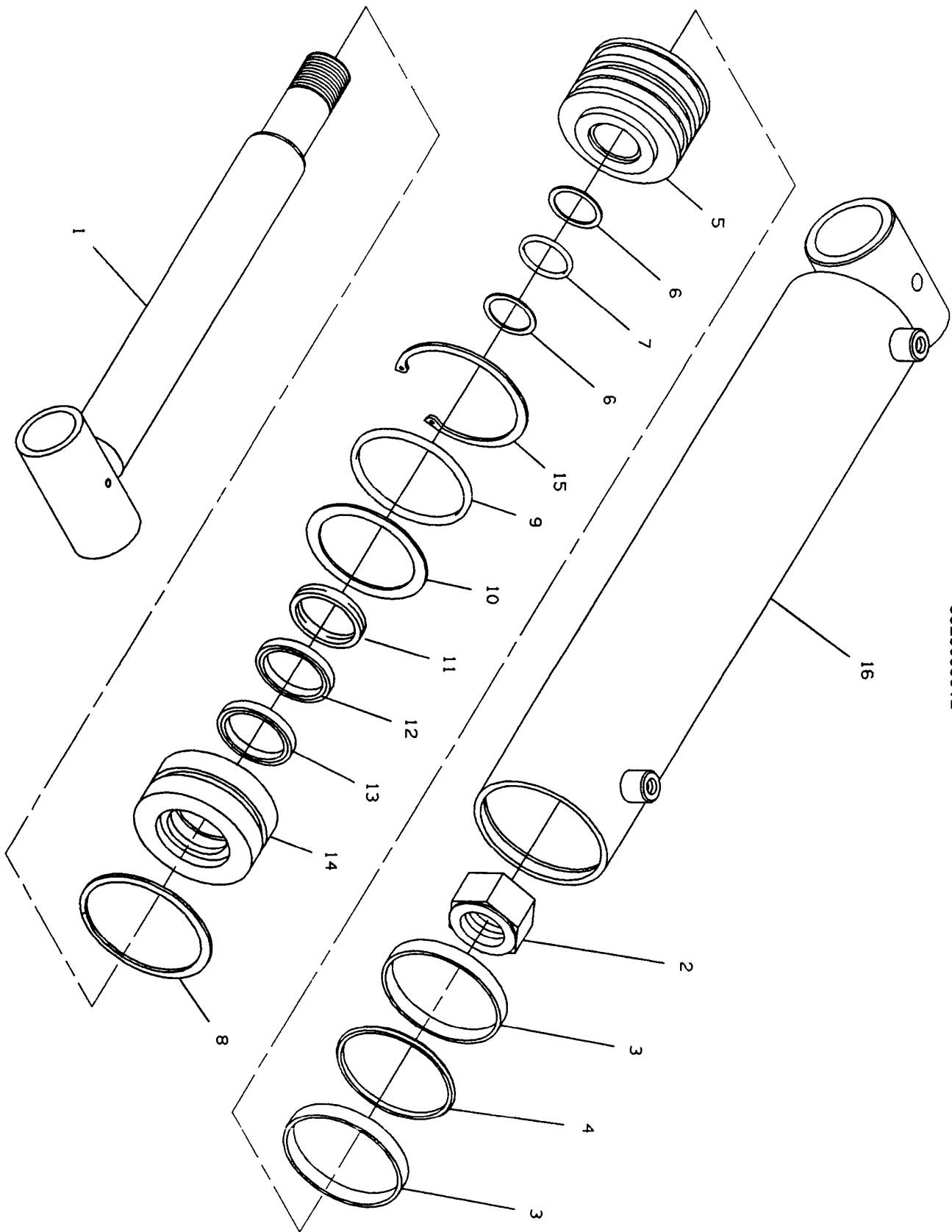
\* - Available Only in Service Kit No. 7577250026

Rev. \_\_\_\_\_

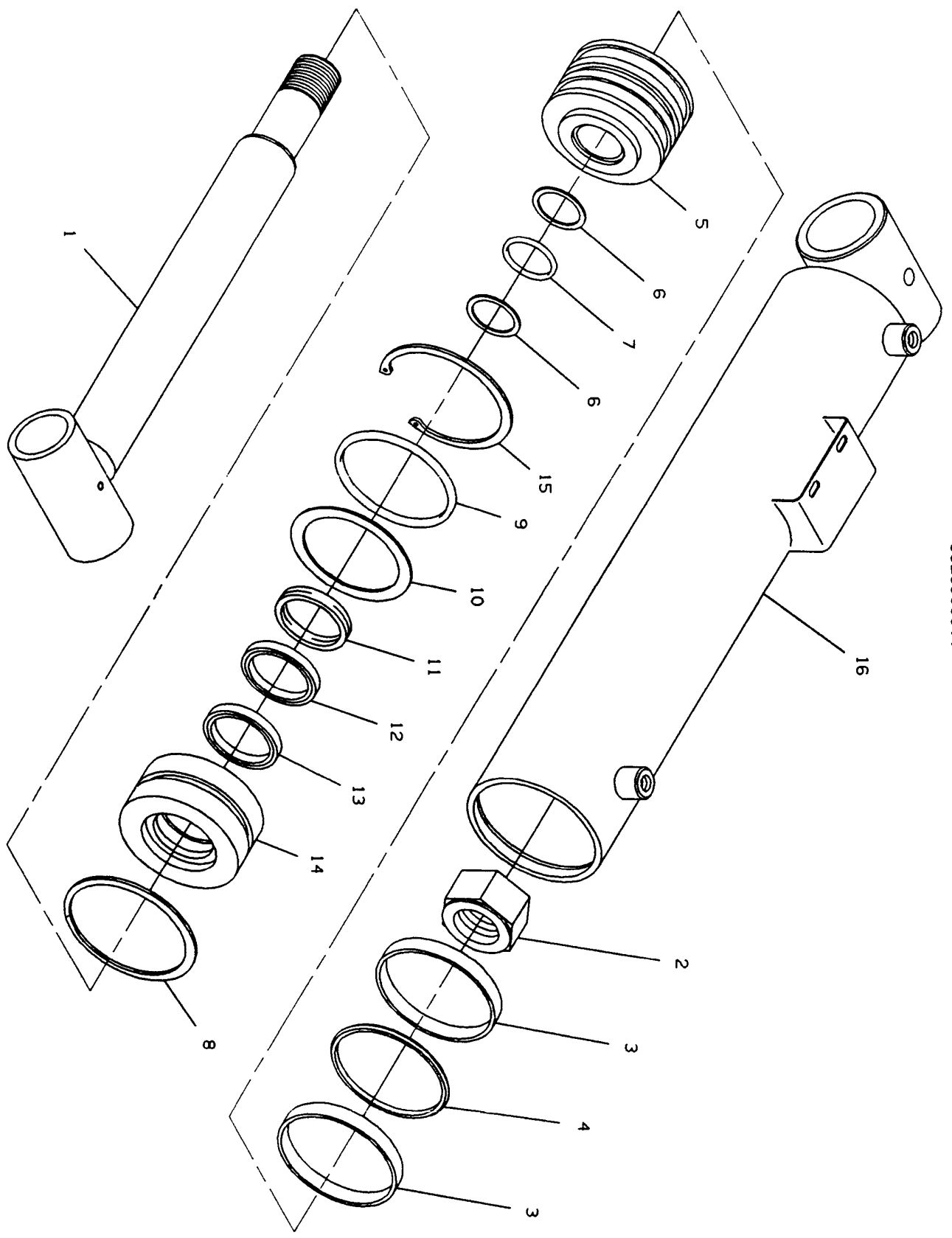
E-10

Date \_\_\_\_\_

R.H. WRECKER BOOM LIFT CYLINDER  
3320000012



L.H. WRECKER BOOM LIFT CYLINDER  
3320000011



**PARTS LIST — L.H. WRECKER BOOM LIFT CYLINDER  
332000011**

| <b>Ref. No.</b> | <b>Part No.</b> | <b>Description</b> | <b>Qty.</b> |
|-----------------|-----------------|--------------------|-------------|
| 1               | 3763000041      | Cylinder Rod       | 1           |
| 2               | 7660341631      | Locknut            | 1           |
| 3               | 7754000011*     | Wear Ring          | 2           |
| 4               | 7796000009*     | Piston Seal        | 1           |
| 5               | 4698000008      | Piston             | 1           |
| 6               | 7755226609*     | Backup Ring        | 2           |
| 7               | 7755226000*     | O-Ring             | 1           |
| 8               | 7754000028      | Retaining Ring     | 1           |
| 9               | 7755342000*     | O-Ring             | 1           |
| 10              | 7755342609*     | Backup Ring        | 1           |
| 11              | 7754000012*     | Wear Ring          | 1           |
| 12              | 7796000025*     | Rod Seal           | 1           |
| 13              | 7796000011*     | Rod Wiper Seal     | 1           |
| 14              | 4553000009      | Head               | 1           |
| 15              | 7754000013      | Retaining Ring     | 1           |
| 16              | 3071000011      | Barrel, LH         | 1           |

\* - Available Only in Service Kit No. 7577250026

Rev. \_\_\_\_\_

E-13

Date \_\_\_\_\_

**PARTS LIST — WRECKER BOOM EXTENSION CYLINDER  
332000007**

| <b>Ref. No.</b> | <b>Part No.</b> | <b>Description</b> | <b>Qty.</b> |
|-----------------|-----------------|--------------------|-------------|
| 1               | 3763000040      | Cylinder Rod       | 1           |
| 2               | 7660262031      | Locknut            | 1           |
| 3               | 7754000003      | Wear Ring          | 2           |
| 4               | 7796000006*     | Piston Seal        | 1           |
| 5               | 4698000007      | Piston             | 1           |
| 6               | 7755224609*     | Backup Ring        | 2           |
| 7               | 7755224000*     | O-Ring             | 1           |
| 8               | 7754000002      | Retaining Ring     | 1           |
| 9               | 7754000004*     | Wear Ring          | 1           |
| 10              | 7796000024*     | Rod Seal           | 1           |
| 11              | 7755334000*     | O-Ring             | 1           |
| 12              | 7755334609*     | Backup Ring        | 1           |
| 13              | 4553000008      | Head               | 1           |
| 14              | 7796000008*     | Rod Wiper Seal     | 1           |
| 15              | 7754000026      | Retaining Ring     | 1           |
| 16              | 3071000007      | Barrel             | 1           |

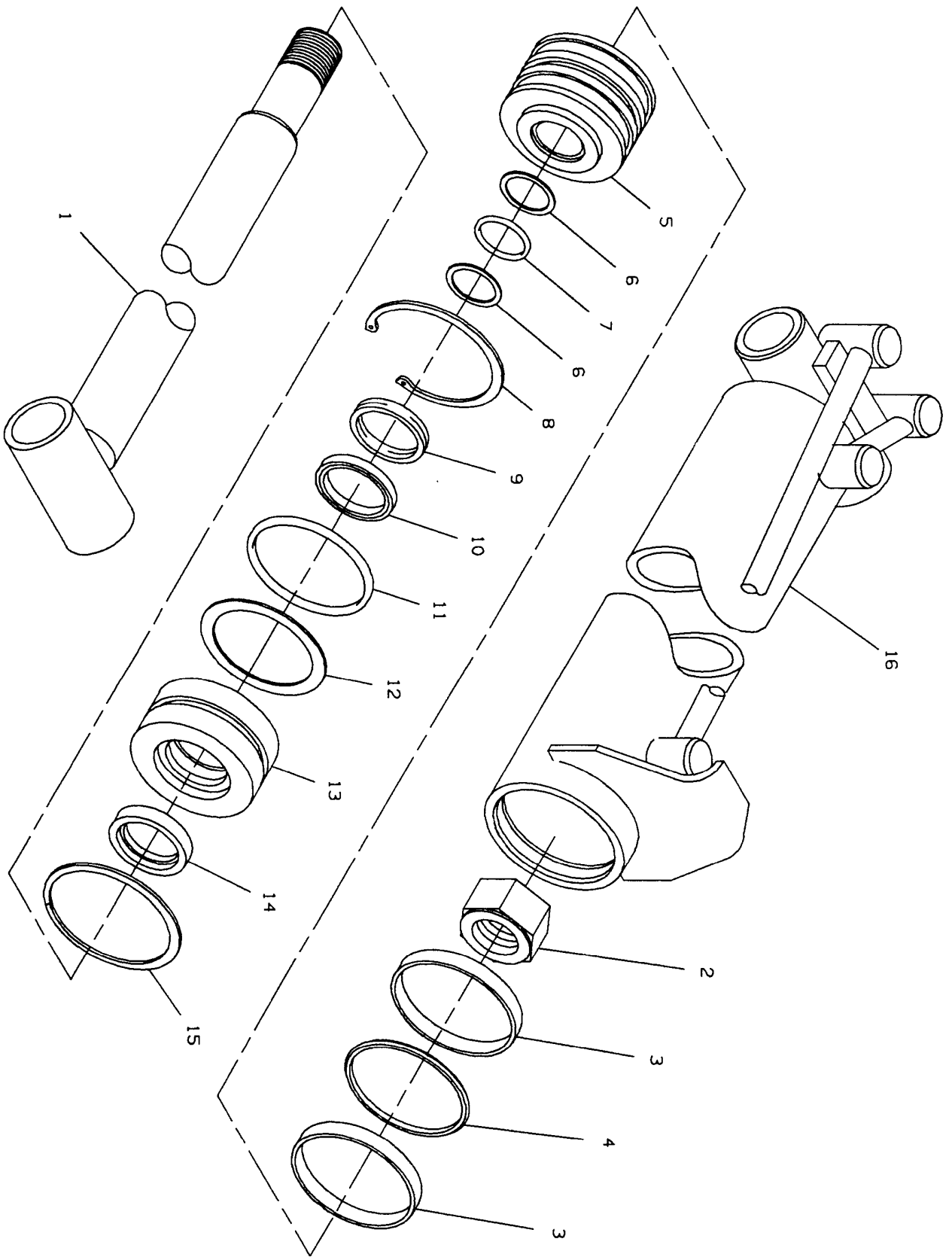
\* - Available Only in Service Kit No. 7577250024

Rev. 1

E-14

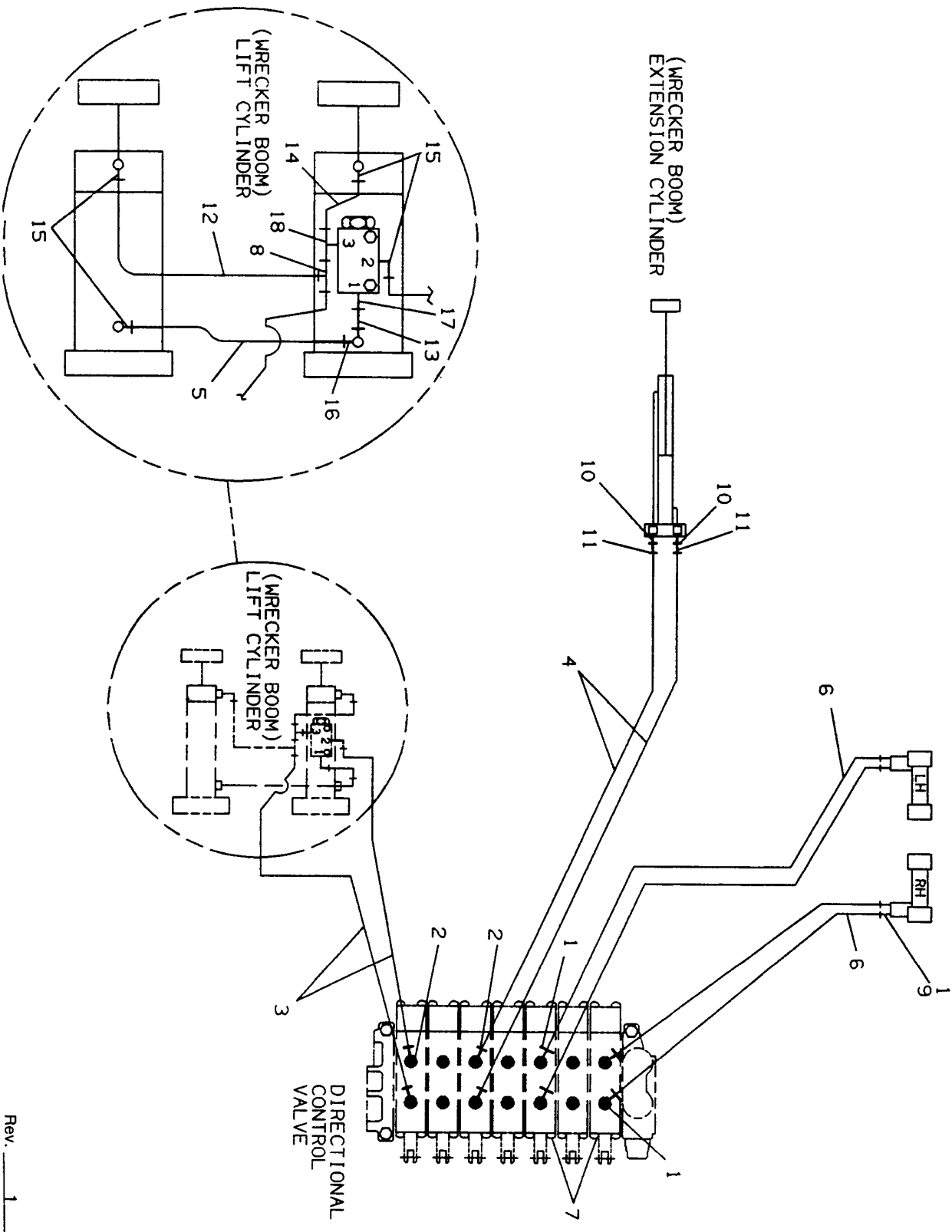
Date 6-1-96

WRECKER BOOM EXTENSION CYLINDER  
332000007



HYDRAULIC COMPONENTS

(WRECKER BOOM)  
WINCHES



**PARTS LIST - HYDRAULIC COMPONENTS**

| <b>Ref. No.</b> | <b>Part No.</b> | <b>Description</b>     | <b>Qty.</b> |
|-----------------|-----------------|------------------------|-------------|
| 1               | 7445081043 (A)  | Adapter                | 4           |
|                 | 7445081043 (B)  | Adapter                | 8           |
| 2               | 7445061043      | Adapter                | 4           |
| 3               | 4567322064      | Hose                   | 2           |
| 4               | 4567122055      | Hose                   | 2           |
| 5               | 7912000002      | Tube                   | 1           |
| 6               | 4567332075 (A)  | Hose                   | 2           |
|                 | 4567332075 (B)  | Hose                   | 4           |
| 7               | 7935000076 (A)  | Valve Relief Cartridge | 1           |
|                 | 7935000076 (B)  | Valve Relief Cartridge | 2           |
| 8               | 7443000030      | Tee                    | 1           |
| 9               | 7443000023 (A)  | Elbow - 90°            | 2           |
|                 | 7443000023 (B)  | Elbow - 90°            | 4           |
| 10              | 7445060643      | Adapter                | 2           |
| 11              | 7445060672      | Elbow - 90°            | 2           |
| 12              | 4567222022      | Hose                   | 1           |
| 13              | 7912000001      | Tube                   | 1           |
| 14              | 4570000008      | Hose                   | 1           |
| 15              | 7445060645      | Elbow - 90°            | 4           |
| 16              | 7445060648      | Tee                    | 1           |
| 17              | 7445060646      | Elbow - 45°            | 1           |
| 18              | 7445060647      | Tee                    | 1           |

- A - Application with Single Winch Wrecker Boom
- B - Application with Dual Winch Wrecker Boom

Rev. 1

E-17

Date 6-1-96

**PARTS LIST - 8000# WINCH**

| <b>Ref. No.</b> | <b>Part No.</b> | <b>Description</b> | <b>Qty.</b> |
|-----------------|-----------------|--------------------|-------------|
| 1               | 300057          | Adapter            | 1           |
| 2               | 302809          | Angle              | 2           |
|                 | 302810          | Y Angle            | 2           |
| 3               | 316083          | Bearing Cap        | 1           |
| 4               | 324161          | Jaw Clutch         | 1           |
| 5               | 328134          | Cover              | 1           |
| 6               | 332105          | Drum               | 1           |
|                 | 332007          | Y Drum             | 1           |
| 7               | 334161          | Gear R.H. 60:1     | 1           |
|                 | 334163          | Gear R.H. 46:1     | 1           |
|                 | 334165          | Gear R.H. 30:1     | 1           |
| 8               | 338003          | Clutch Housing     | 1           |
| 9               | 338273          | Gear Housing       | 1           |
| 10              | 242018          | Key                | 1           |
| 11              | 342024          | Key                | 1           |
| 12              | 342027          | Key                | 1           |
| 13              | 344008          | Shift Lever        | 1           |
| 14              | 356902          | Shaft              | 1           |
| 15              | 357479          | Drum Shaft         | 1           |
|                 | 357480          | Y Drum Shaft       | 1           |
| 16              | 368002          | Worm R.H. 46:1     | 1           |
|                 | 368007          | Worm R.H. 60:1     | 1           |
|                 | 368011          | Worm R.H. 30:1     | 1           |
| 17              | 370001          | Yoke               | 1           |
| 18              | 400001          | Poppet Ball        | 1           |
| 19              | 402002          | Ball Bearing       | 2           |
| 20              | 412003          | Bushing            | 4           |
| 21              | 412045          | Bushing            | 1           |
| 22              | 414038          | Capscrew           | 10          |
| 23              | 414045          | Capscrew           | 4           |
| 24              | 414279          | Capscrew           | 2           |
| 25              | 414282          | Capscrew           | 6           |
| 26              | 414842          | Capscrew           | 4           |
| 27              | 414952          | Capscrew           | 2           |
| 28              | 416040          | Setscrew           | 1           |
| 29              | 416059          | Setscrew           | 1           |
| 30              | 416084          | Setscrew           | 1           |
| 31              | 416109          | Setscrew           | 1           |
| 32              | 418177          | Lockwasher         | 8           |
| 33              | 418218          | Lockwasher         | 2           |
| 34              | 431008          | Coupling           | 1           |
| 35              | 438014          | Disc-Brake         | 2           |
| 36              | 442184          | Gasket             | 2           |
| 37              | 442205          | Gasket             | 1           |
| 38              | 450006          | Key                | 2           |
| 39              | 450016          | Key                | 4           |
| 40              | 456006          | Lube Fitting       | 2           |
| 41              | 456008          | Relief Fitting     | 1           |
| 42              | 458050          | Motor              | 1           |
| 43              | 468002          | Reducer            | 1           |
| 44              | 468011          | Plug               | 2           |

Rev. \_\_\_\_\_

E-18

Date \_\_\_\_\_

---

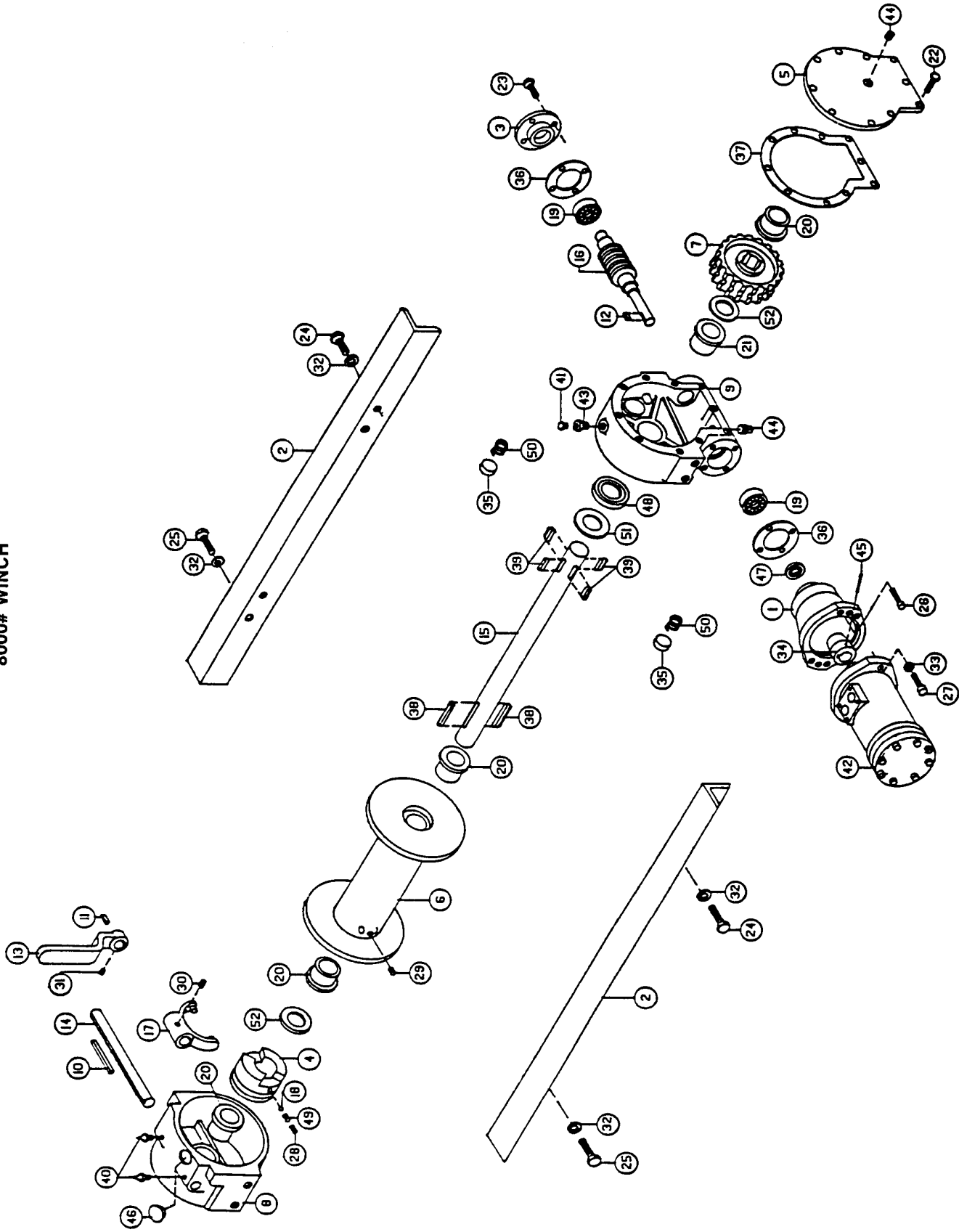
| <b>Ref. No.</b> | <b>Part No.</b> | <b>Description</b> | <b>Qty.</b> |
|-----------------|-----------------|--------------------|-------------|
| 45              | 470033          | Spirol Pin         | 1           |
| 46              | 472013          | Plug               | 1           |
| 47              | 486009          | Oil Seal           | 1           |
| 48              | 486017          | Oil Seal           | 1           |
| 49              | 494001          | Spring             | 1           |
| 50              | 494002          | Spring             | 2           |
| 51              | 518014          | Thrust Washer      | 1           |
| 52              | 518015          | Thrust Washer      | 2           |

Rev. \_\_\_\_\_

E-19

Date \_\_\_\_\_

8000# WINCH



Rev. \_\_\_\_\_  
Date \_\_\_\_\_

---

## TOW SLING/TRUCK BAR PARTS

B-KE

F-1

Part Number 5-376-000018  
Rev. 1

---

**PARTS LIST — LIGHT DUTY TOW SLING**

| Ref. No. | Part No.      | Description       | Qty. |
|----------|---------------|-------------------|------|
| 1        | 7804000001(A) | Anchor Shackle    | 1    |
|          | 7804000001(B) | Anchor Shackle    | 2    |
| 2        | 4706000727    | Anchor Plate      | 1    |
| 3        | 3017000008    | Anchor Angle      | 1    |
| 4        | 7822000003    | Cable Sling Belt  | 2    |
| 5        | 3500800031    | Tow Sling Head    | 1    |
| 6        | 4706000726    | Plate             | 2    |
| 7        | 7115161250    | Capscrew          | 6    |
| 8        | 7660162601    | Locknut           | 12   |
| 9        | 7118163250    | Capscrew          | 6    |
| 10       | 7440030000    | Grease Fitting    | 7    |
| 11       | 7105223050    | Bolt              | 2    |
| 12       | 7661000017    | Locknut           | 4    |
| 13       | 3020000006    | Hold Back Bar, RH | 1    |
| 14       | 3020000007    | Hold Back Bar, LH | 1    |
| 15       | 7105222650    | Capscrew          | 2    |
| 16       | 3309000007    | U-Joint           | 2    |
| 17       | 7679000010    | Rubber Pad        | 2    |
| 18       | 7115223806    | Capscrew          | 2    |
| 19       | 7660202601    | Locknut           | 2    |
| 20       | 7790101276    | Screw             | 4    |

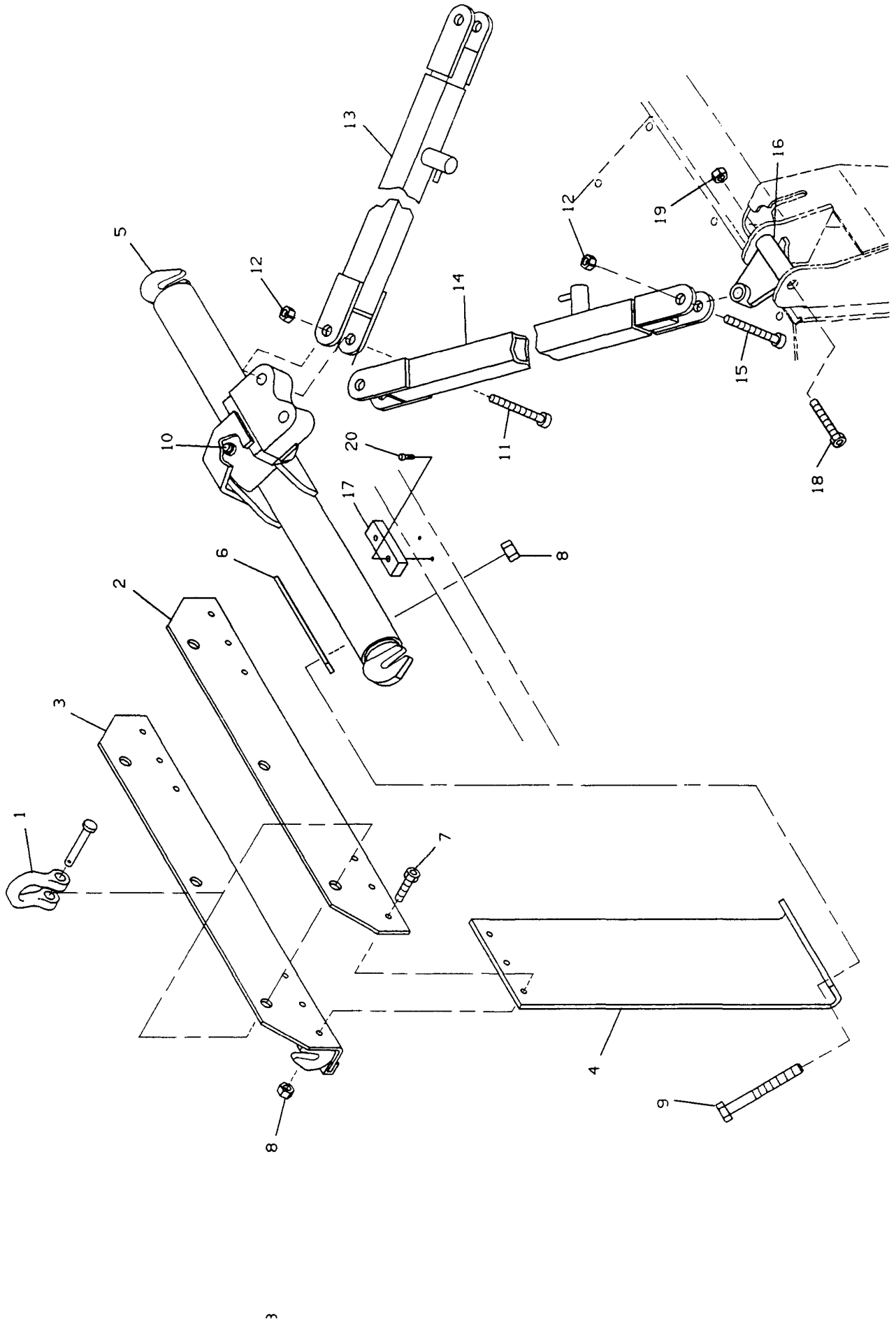
A - Application with Single Winch Wrecker Boom  
B - Application with Dual Winch Wrecker Boom

Rev. 1

F-2

Date 6-1-96

LIGHT DUTY TOW SLING



Rev. 1

Date 6-1-96