

---

\$7.50

**TRANSPORTER/WRANGLER**  
**INDUSTRIAL**  
**OPERATIONS, MAINTENANCE,**  
**AND PARTS MANUAL**

***JERR-DAN.***

An Oshkosh Truck Corporation Company

1080 Hykes Road

Greencastle, PA 17225

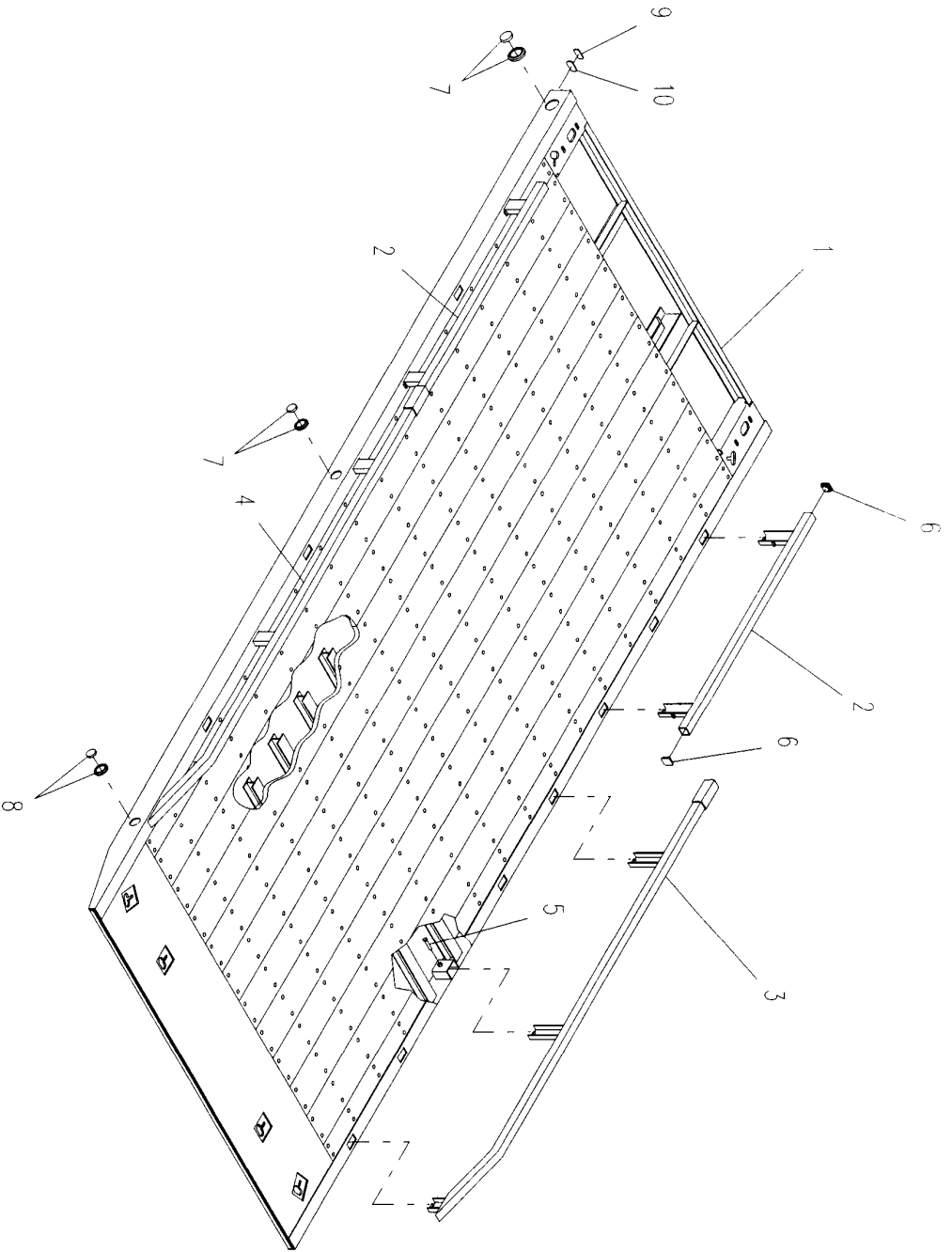
Phone (717) 597-7111

[www.jerr-dan.com](http://www.jerr-dan.com)

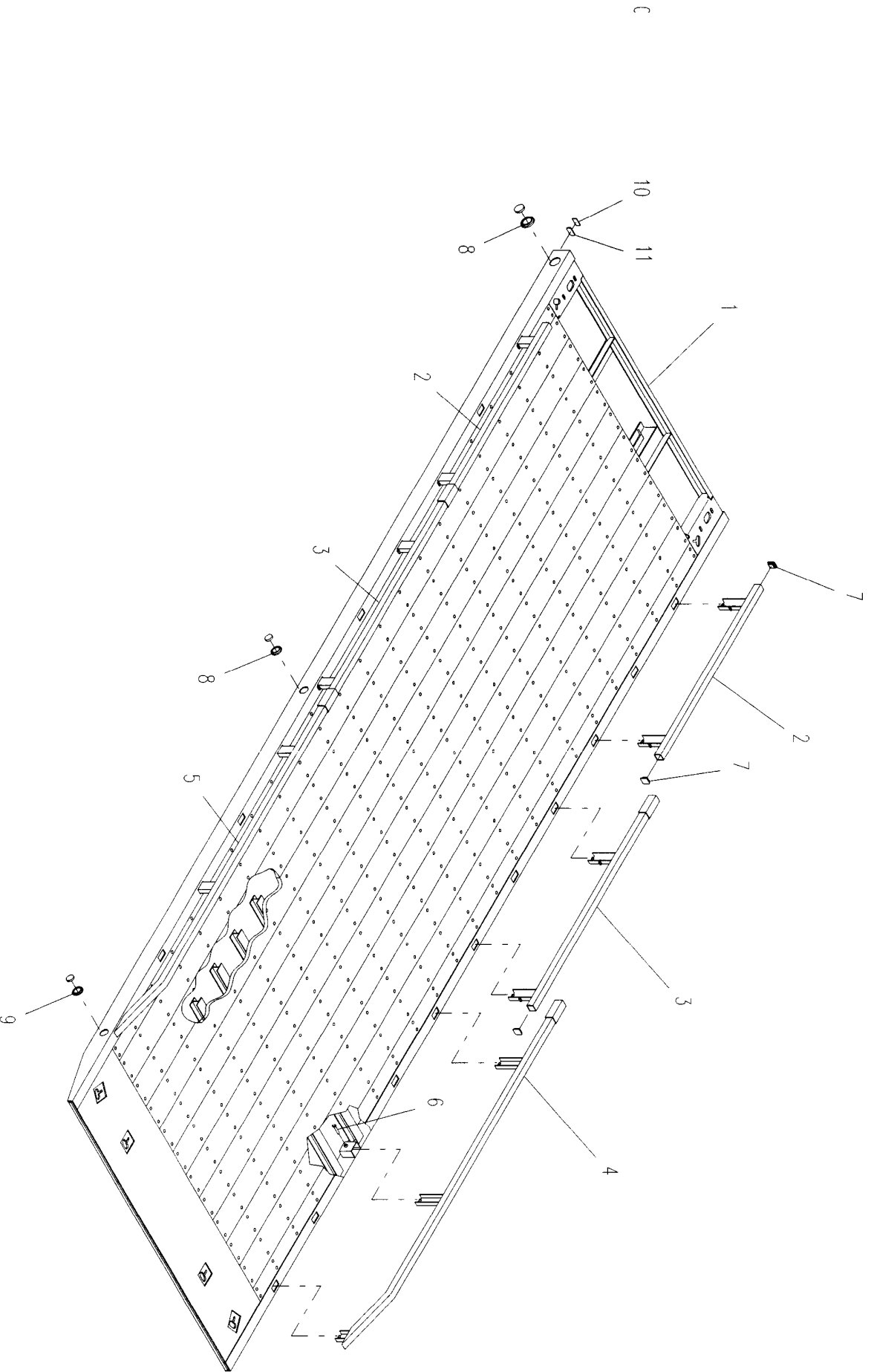
**PARTS LIST — 24' INDUSTRIAL WOOD DECK**

Ref. No.	Part No.	Description	Qty.
1	3097000306	Deck 10 Ton 12" X-member Spacing, 95" Wide	1
	3097000303	Deck 10 Ton 8" X-member Spacing, 95" Wide	
	3097000315	Deck 10 Ton 12" X-member Spacing, 102" Wide	
	3097000312	Deck 10 Ton 8" X-member Spacing, 102" Wide	
	3097000299	Deck 15 Ton 8" X-member Spacing, 95" Wide	
	3097000309	Deck 15 Ton 8" X-member Spacing, 102" Wide	
2	3729000126	Rail - Front (24' Deck)	2
3	3729000130	Rail - Right Rear (24' Deck)	1
4	3729000129	Rail - Left Rear (24' Deck)	1
5	7120000005	Capscrew (24' Deck)	12
6	7701000033	End Cap	4
7	7590000048	Marker Light	4
	7493000009	Grommet	4
8	7590000047	Marker Light	2
	7493000009	Grommet	2
9	7590000090	Marker Light	2
10	7493000010	Grommet	2

# 24' INDUSTRIAL WOOD DECK



# 26' INDUSTRIAL WOOD DECK



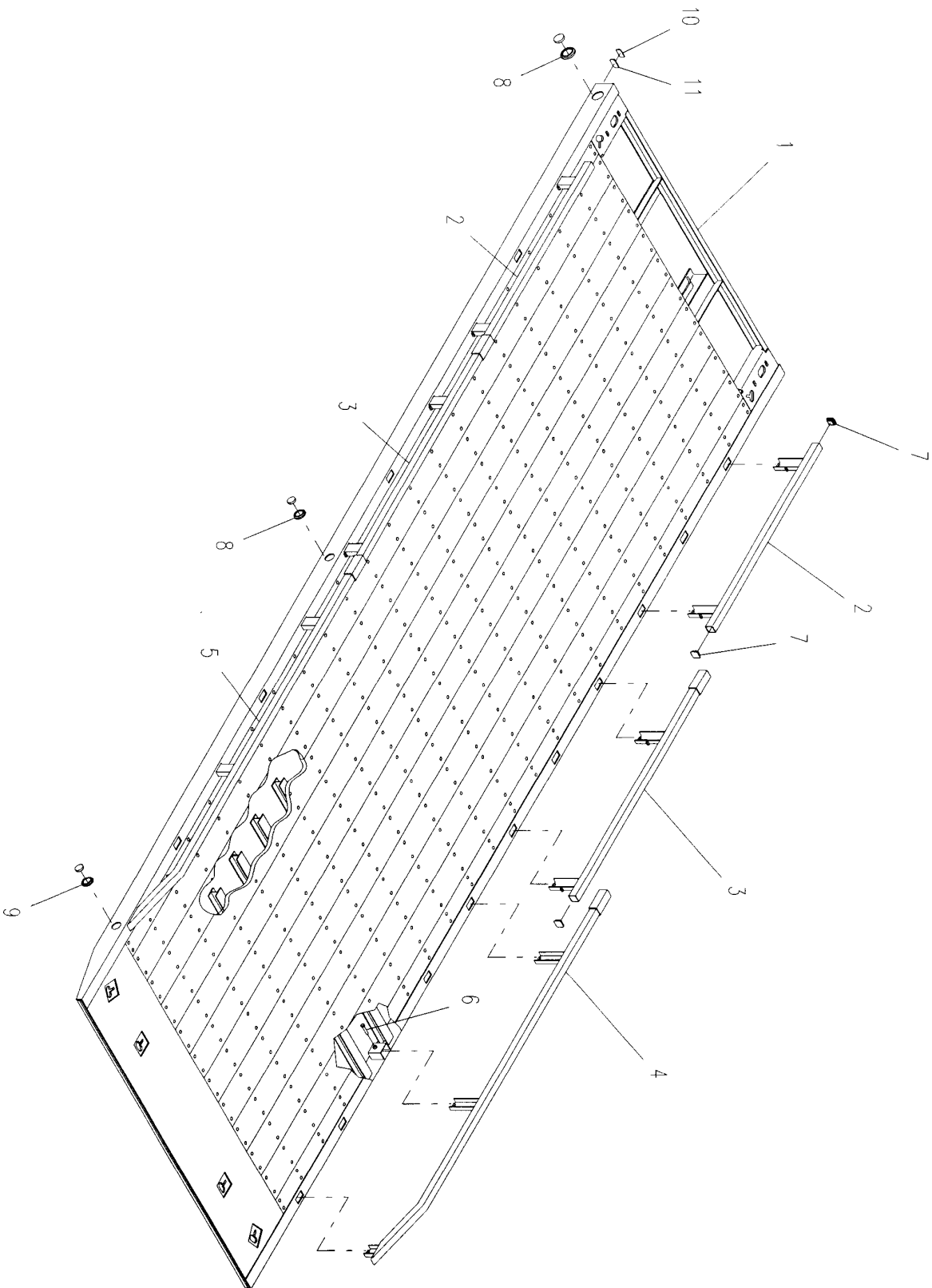
**PARTS LIST — 26' INDUSTRIAL WOOD DECK**

Ref. No.	Part No.	Description	Qty.
1	3097000305	Deck 10 Ton 12" X-member Spacing, 95" Wide	1
	3097000302	Deck 10 Ton 8" X-member Spacing, 95" Wide	
	3097000314	Deck 10 Ton 12" X-member Spacing, 102" Wide	
	3097000311	Deck 10 Ton 8" X-member Spacing, 102" Wide	
	3097000298	Deck 15 Ton 8" X-member Spacing, 95" Wide	
	3097000308	Deck 15 Ton 8" X-member Spacing, 102" Wide	
2	3729000121	Rail - Front (26' Deck)	2
3	3729000116	Rail - Mid (26' Deck)	2
4	3729000128	Rail - Right Rear (26' Deck)	1
5	3729000127	Rail-Left Rear (26' Deck)	1
6	7120000005	Capscrew (26' Deck)	14
7	7701000033	End Cap	6
8	7590000048	Marker Light	4
	7493000009	Grommet	4
9	7590000047	Marker Light	2
	7493000009	Grommet	2
10	7590000090	Marker Light	2
11	7493000010	Grommet	2

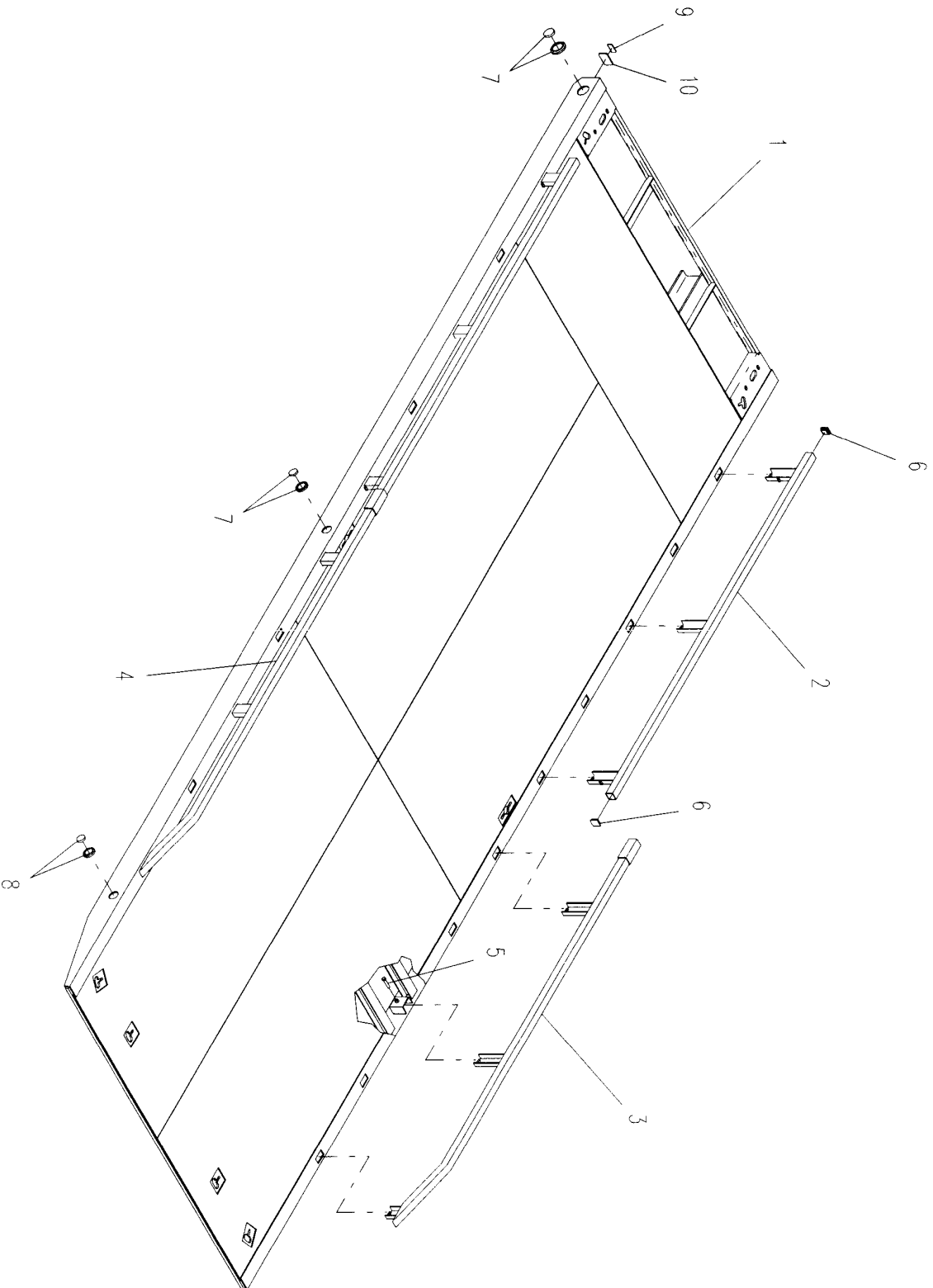
**PARTS LIST — 28' INDUSTRIAL WOOD DECK**

<b>Ref. No.</b>	<b>Part No.</b>	<b>Description</b>	<b>Qty.</b>
1	3097000304	Deck 10 Ton 12" X-member Spacing, 95" Wide	1
	3097000301	Deck 10 Ton 8" X-member Spacing, 95" Wide	
	3097000313	Deck 10 Ton 12" X-member Spacing, 102" Wide	
	3097000310	Deck 10 Ton 8" X-member Spacing, 102" Wide	
	3097000300	Deck 15 Ton 8" X-member Spacing, 95" Wide	
	3097000307	Deck 15 Ton 8" X-member Spacing, 102" Wide	
2	3729000121	Rail - Front (28' Deck)	2
3	3729000116	Rail - Mid (28' Deck)	2
4	3729000130	Rail - Right Rear (28' Deck)	1
5	3729000129	Rail-Left Rear (28' Deck)	1
6	7120000005	Capscrew (26' Deck)	14
7	7701000033	End Cap	6
8	7590000048	Marker Light	4
	7493000009	Grommet	4
9	7590000047	Marker Light	2
	7493000009	Grommet	2
10	7590000090	Marker Light	2
11	7493000010	Grommet	2

28' INDUSTRIAL WOOD DECK



24' INDUSTRIAL STEEL DECK



4.8

Rev. \_\_\_\_\_  
Date \_\_\_\_\_

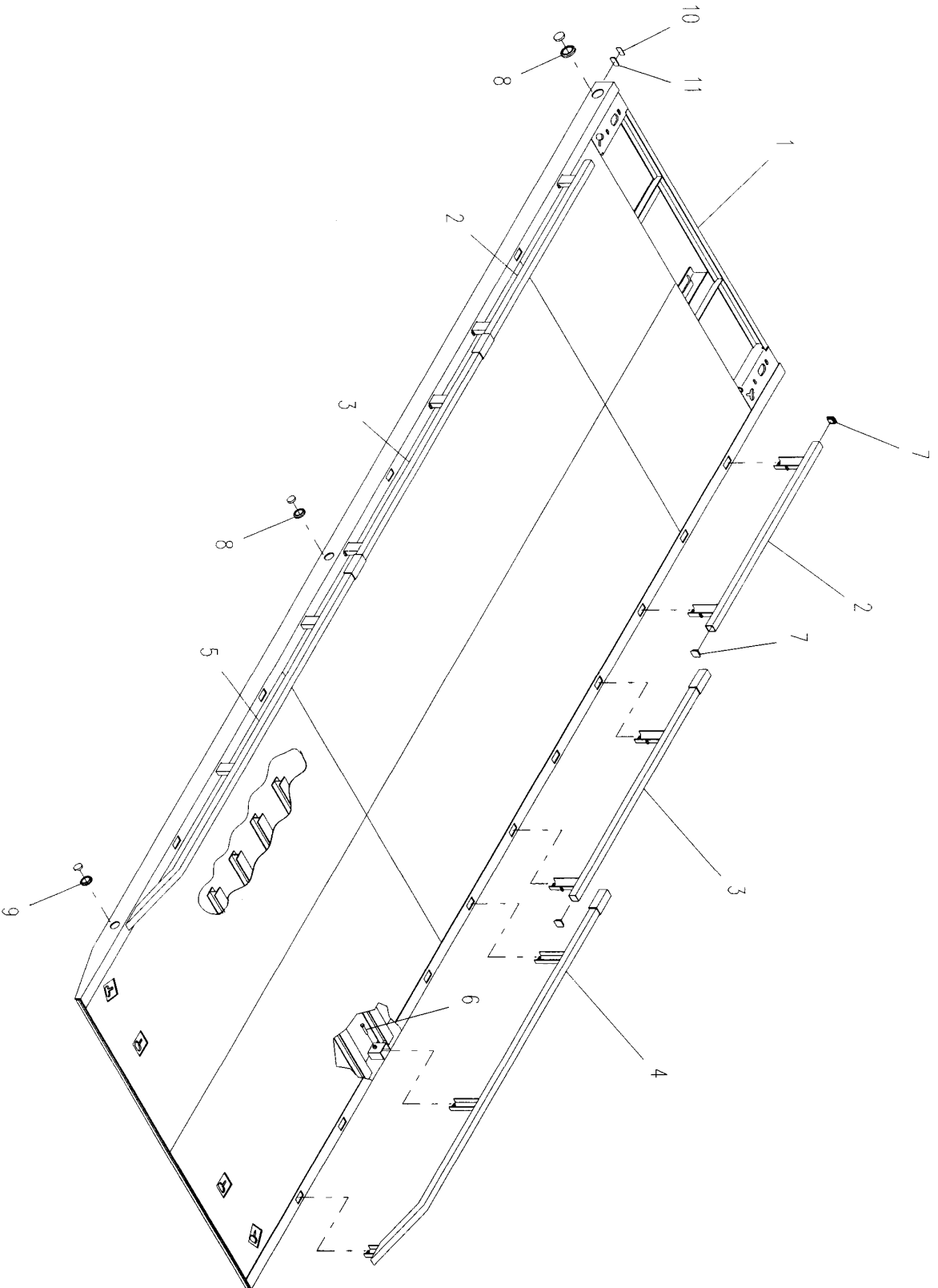
**PARTS LIST — 24' INDUSTRIAL STEEL DECK**

Ref. No.	Part No.	Description	Qty.
1	3097000318	Deck 10 Ton	
1		12" X-member spacing, 95" Wide	
	3097000321	Deck 10 Ton	
		8" X-member spacing, 95" Wide	
	3097000324	Deck 10 Ton	
		12" X-member spacing, 102" Wide	
	3097000327	Deck 10 Ton	
		8" X-member spacing, 102" Wide	
	3097000330	Deck 15 Ton	
		8" X-member spacing, 95" Wide	
	3097000333	Deck 15 Ton	
		8" X-member spacing, 102" Wide	
2	3729000126	Rail - Front (24' Deck)	2
3	3729000130	Rail - Right Rear (24' Deck)	1
4	3729000129	Rail - Left Rear (24' Deck)	1
5	7120000005	Capscrew	12
6	7701000033	End Cap	4
7	7590000048	Marker Light	4
	7493000009	Grommet	4
8	7590000047	Marker Light	2
	7493000009	Grommet	2
9	7590000090	Marker Light	2
10	7493000010	Grommet	2

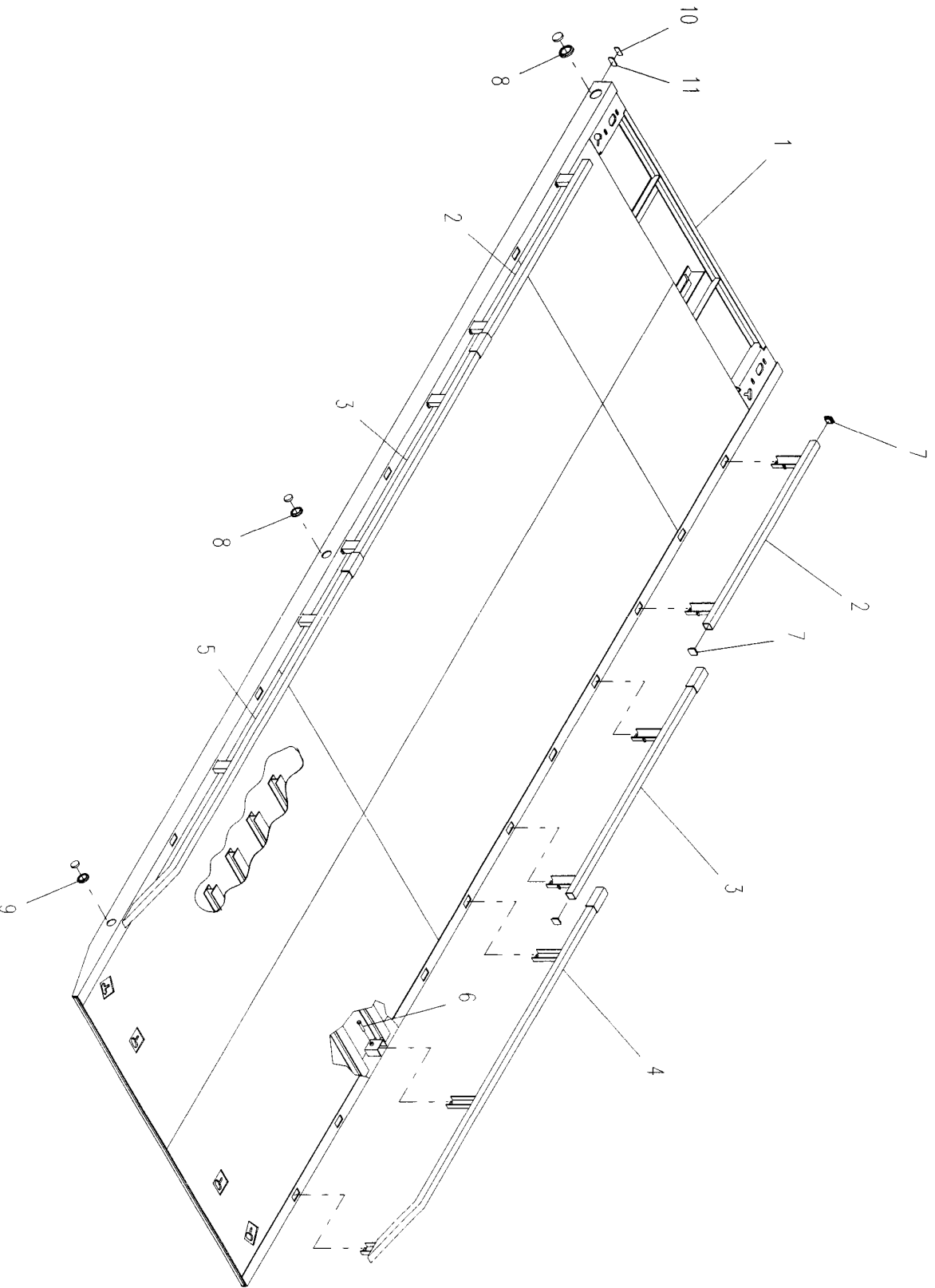
**PARTS LIST — 26' INDUSTRIAL STEEL DECK**

Ref. No.	Part No.	Description	Qty.
1	3097000317	Deck 10 Ton 12" X-member Spacing, 95" Wide	1
	3097000320	Deck 10 Ton 8" X-member Spacing, 95" Wide	
	3097000323	Deck 10 Ton 12" X-member Spacing, 102" Wide	
	3097000326	Deck 10 Ton 8" X-member Spacing, 102" Wide	
	3097000329	Deck 15 Ton 8" X-member Spacing, 95" Wide	
	3097000332	Deck 15 Ton 8" X-member Spacing, 102" Wide	
2	3729000121	Rail - Front (26' Deck)	2
3	3729000116	Rail - Mid (26' Deck)	2
4	3729000128	Rail - Right Rear (26' Deck)	1
5	3729000127	Rail-Left Rear (26' Deck)	1
6	7120000005	Capscrew (26' Deck)	14
7	7701000033	End Cap	6
8	7590000048	Marker Light	4
	7493000009	Grommet	4
9	7590000047	Marker Light	2
	7493000009	Grommet	2
10	7590000090	Marker Light	2
11	7493000010	Grommet	2

26' INDUSTRIAL STEEL DECK



28' INDUSTRIAL STEEL DECK



**PARTS LIST — 28' INDUSTRIAL STEEL DECK**

Ref. No.	Part No.	Description	Qty.
1	3097000316	Deck 10 Ton 12" X-member Spacing, 95" Wide	1
	3097000319	Deck 10 Ton 8" X-member Spacing, 95" Wide	
	3097000322	Deck 10 Ton 12" X-member Spacing, 102" Wide	
	3097000325	Deck 10 Ton 8" X-member Spacing, 102" Wide	
	3097000328	Deck 15 Ton 8" X-member Spacing, 95" Wide	
	3097000331	Deck 15 Ton 8" X-member Spacing, 102" Wide	
2	3729000121	Rail - Front (28' Deck)	2
3	3729000116	Rail - Mid (28' Deck)	2
4	3729000130	Rail - Right Rear (28' Deck)	1
5	3729000129	Rail-Left Rear (28' Deck)	1
6	7120000005	Capscrew (26' Deck)	14
7	7701000033	End Cap	6
8	7590000048	Marker Light	4
	7493000009	Grommet	4
9	7590000047	Marker Light	2
	7493000009	Grommet	2
10	7590000090	Marker Light	2
11	7493000010	Grommet	2

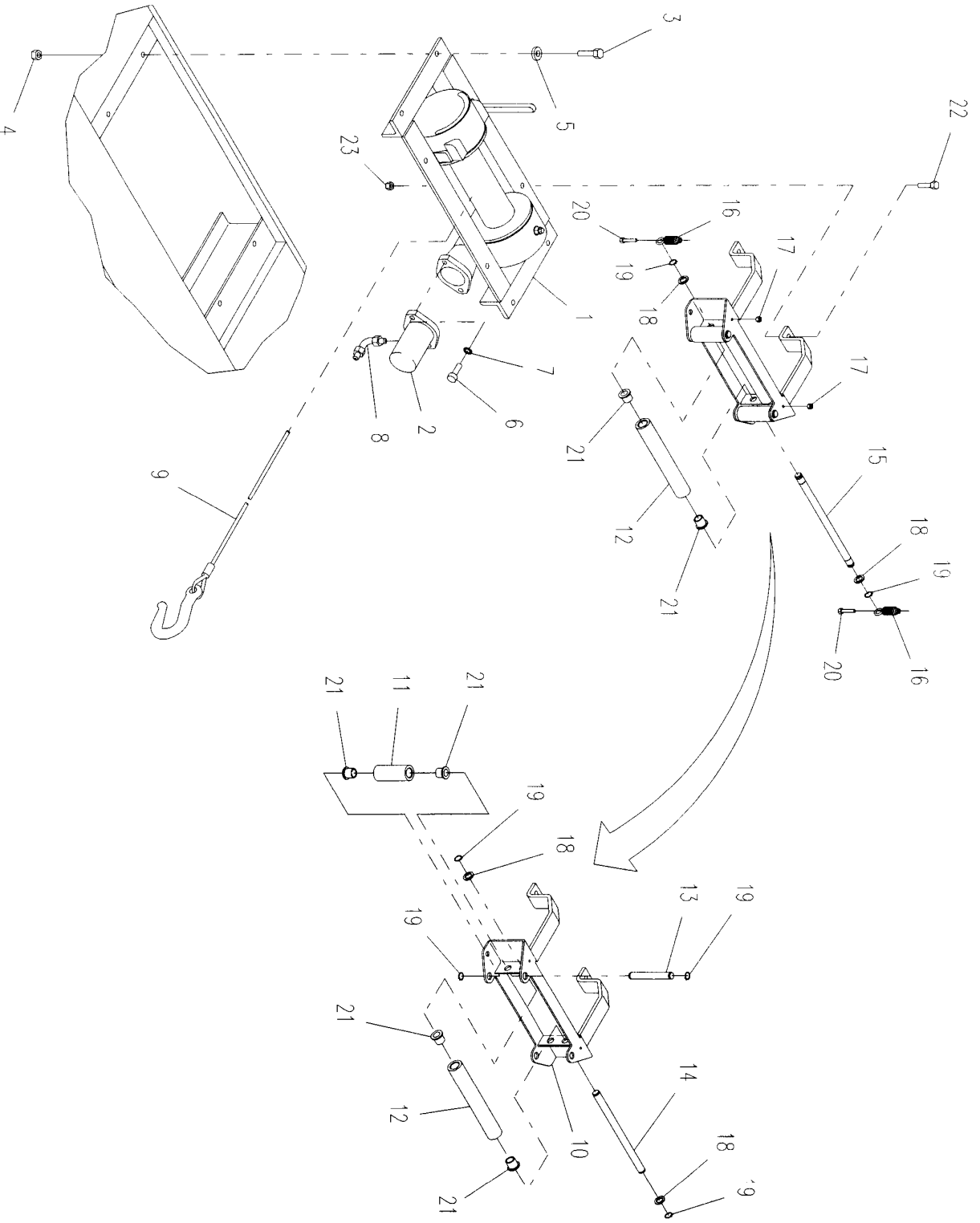
**PARTS LIST — 12,000# WORM GEAR WINCH & CABLE ROLLER  
GUIDE**

Ref. No.	Part No.	Description	Qty.
1	797000083	Winch - 12,000# Worm Gear	1 -
2	762600018	Orbit Motor	1
3	7115181450	Capscrew	4
	7115181250*	Capscrew	4
4	7660182301	Locknut	4
5	7950180153	Flatwasher	4
6	7115181250	Capscrew	2
7	7950180400	Lockwasher	2
8	7445081045	Fitting	2
9	7248000066	Cable	1
10	3178000238 <sup>1</sup>	Bracket	1
11	4912000087 <sup>1</sup>	Roller Tube	2
12	4912000130 <sup>1</sup>	Roller Tube	2
13	4806000011 <sup>1</sup>	Roller Shaft	2
14	4806000014 <sup>1</sup>	Roller Shaft	1
15	4806000015 <sup>1</sup>	Roller Shaft	1
16	7843000007 <sup>1</sup>	Spring	2
17	7660141600 <sup>1</sup>	Locknut	2
18	7949000034 <sup>1</sup>	Spacer	4
19	7754000022 <sup>1</sup>	Retaining Ring	8
20	7111141407 <sup>1</sup>	Bolt	2
21	7209000011 <sup>1</sup>	Bushing	8
22	7115181250	Capscrew	4
23	7660182601	Locknut	4

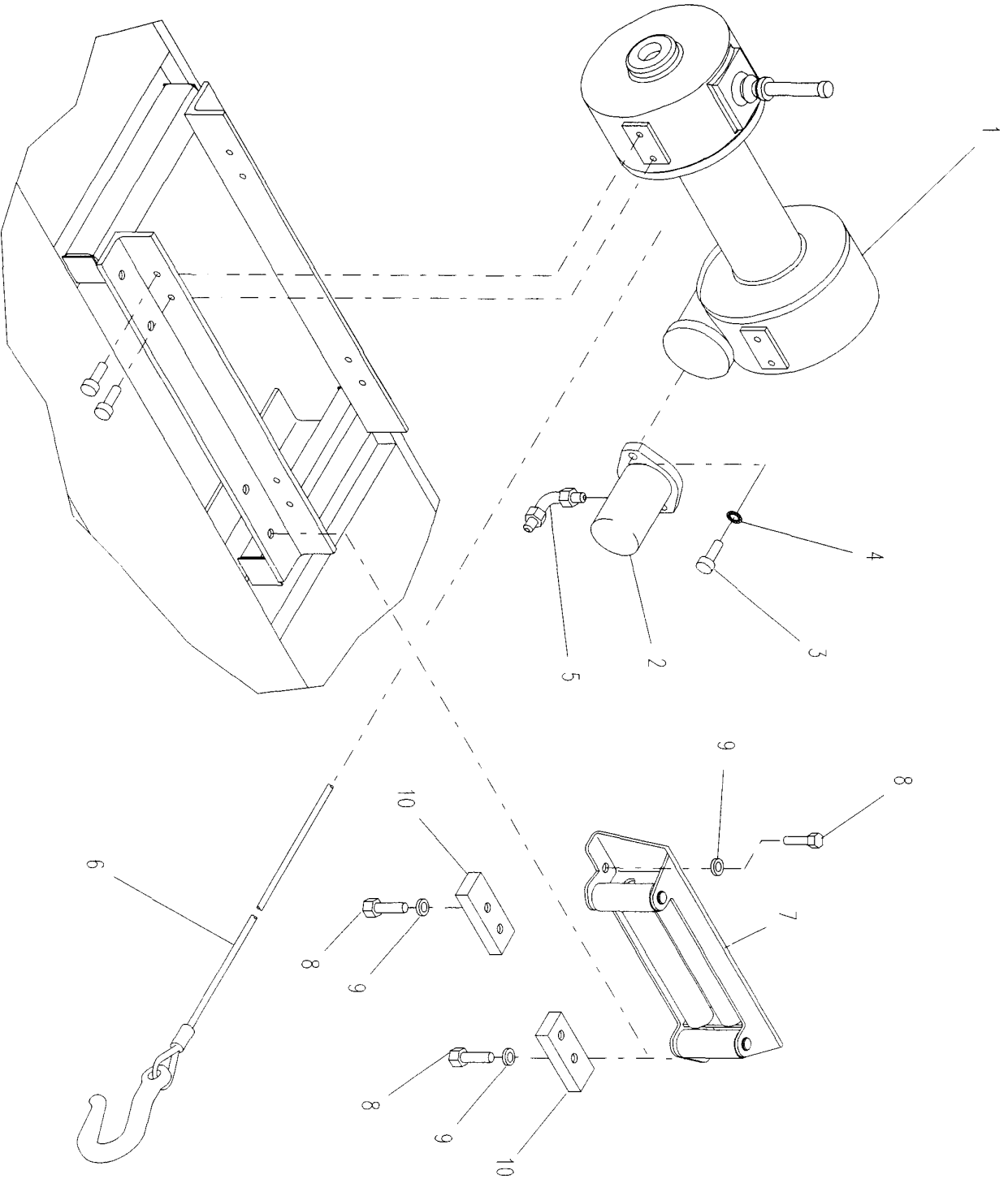
\* Available on Transporter Decks only

<sup>1</sup> Also Available in Assembly #3249000004

12,000# WORM GEAR WINCH & CABLE ROLLER GUIDE



20,000# WORM GEAR WINCH & CABLE ROLLER GUIDE



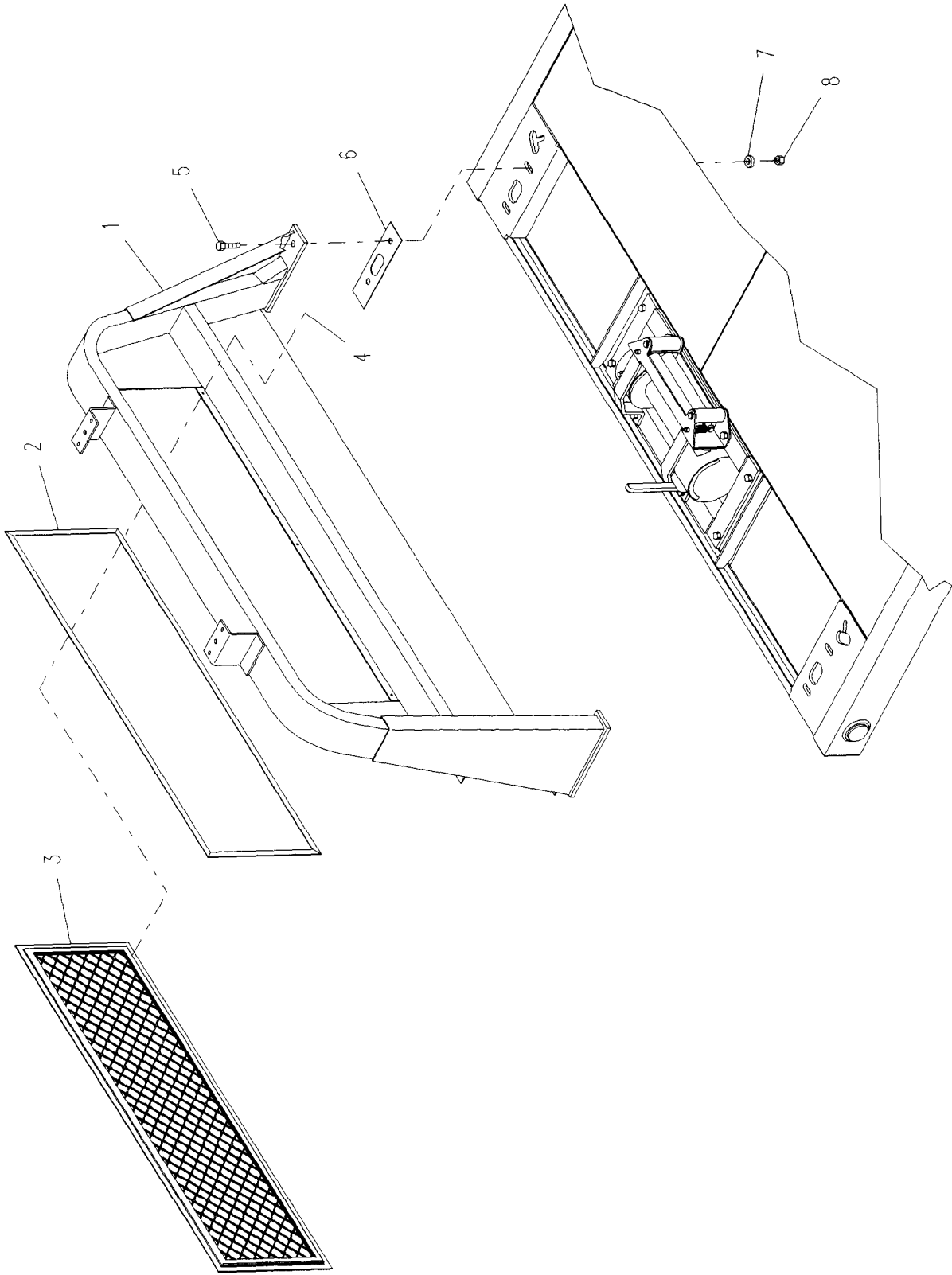
**PARTS LIST — 20,000# WORM GEAR WINCH & CABLE ROLLER  
GUIDE**

<b>Ref. No.</b>	<b>Part No.</b>	<b>Description</b>	<b>Qty.</b>
1	7970000082	Winch - 20,000# Worm Gear	1
2	7626000011	Orbit Motor	1
3	7115181250	Capscrew	2
4	7950180400	Lockwasher	2
5	7445081045	Fitting	2
6	7248000067	Cable	1
7	3527000075	Roller Guide	1
8	7115201450	Capscrew	4
9	7950200000	Washer	4
10	4706001149	Plate	2

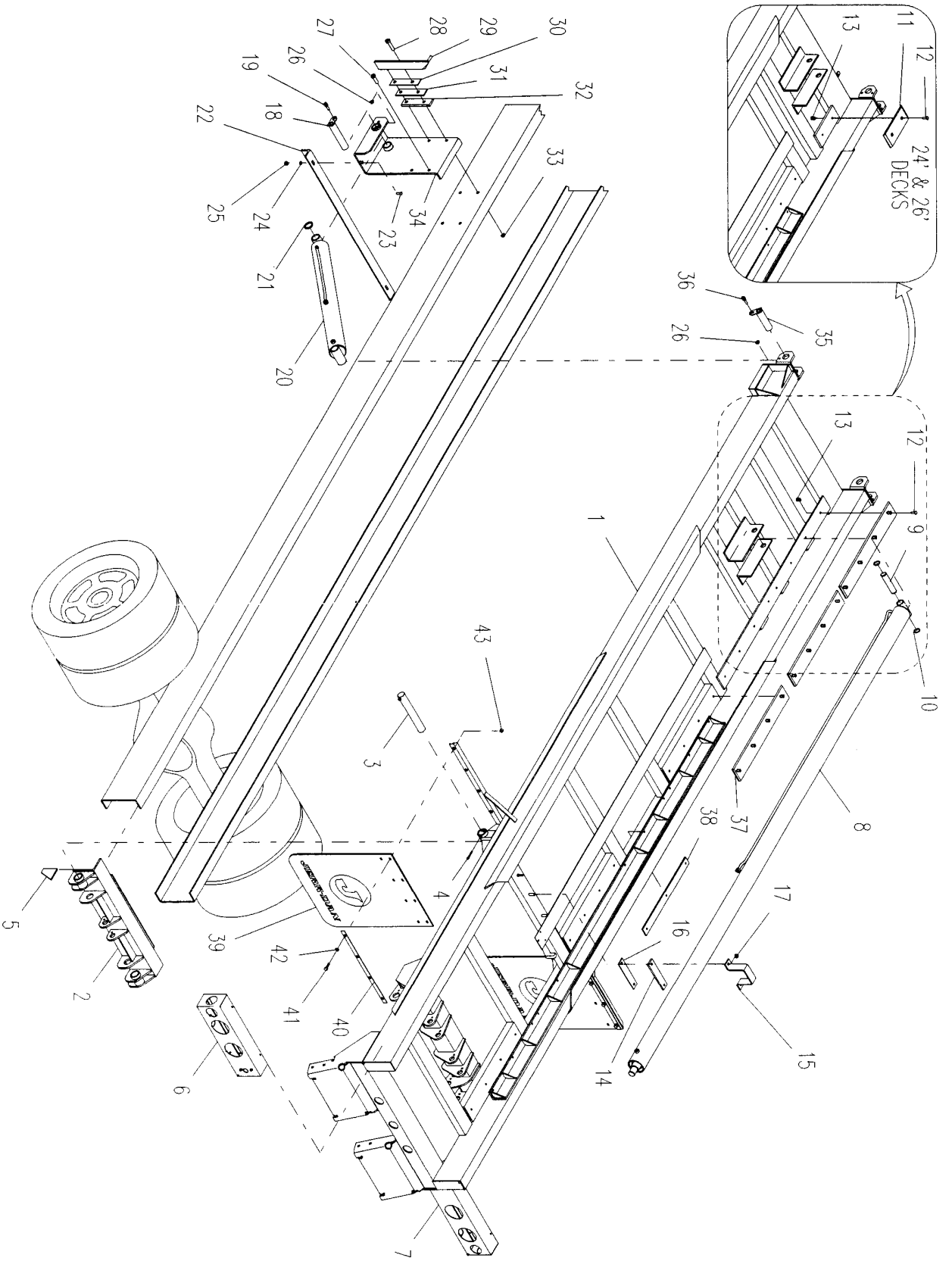
**PARTS LIST — DELUXE HEADBOARD**

<b>Ref. No.</b>	<b>Part No.</b>	<b>Description</b>	<b>Qty.</b>
1	3241000093	Deluxe Headboard (40.50")	1
	3241000096	Deluxe Headboard (45.50")	
	3241000097	Deluxe Headboard (52.50")	
	3241000111	Deluxe Headboard (57.50")	
2	4796000003	Gasket	1
3	3391000014	Screen (40.50 & 45.50")	1
	3391000015	Screen (52.50")	
	3391000016	Screen (57.50")	
4	7759000013	Rivet	6
5	7105201650	Capscrew	4
6	4796000037	Gasket	2
7	7950200152	Flatwasher	4
8	7660200035	Nut	2

**DELUXE HEADBOARD**



**FINAL ASSEMBLY**



**PARTS LIST — FINAL ASSEMBLY**

Ref. No.	Part No.	Description	Qty.
1	3868000206	Subframe Weld (Short) 24' & 26'	1
	3868000218	Subframe Weld (Long) 28' & 30'	
2	3905000006	Trunnion Weld	1
3	4691000348	Pin	2
4	7690164045	Spring Pin	2
5	4497000368	Gusset	2
6	3178000233	Light Box LH	1
7	3178000234	Light Box RH	1
8	3320000074	Cylinder Assy 24' & 26'	1
	3320000090	Cylinder Assy 28' & 30'	
9	4691000268	Pin	1
10	7754000006	Retaining Ring	2
11	4679000154	Wear Pad 24' & 26'	2
12	7118161026	Capscrew 24' & 26'	52
	7118161026	Capscrew 28' & 30'	64
13	7660162601	Locknut 24' & 26'	52
	7660162601	Locknut 28' & 30'	64
14	4679000166	Wear Pad	1
15	4178000308	Hat Bracket	1
16	4706003033	Plate	1
17	7660182601	Locknut	2
18	3691000164	Pin	2
19	7115160850	Capscrew	2
20	3320000092	Cylinder Assy 24' & 26'	2
	3320000091	Cylinder Assy 28' & 30'	2
21	4209000204	Bushing	4
22	4017001093	Angle	2
23	7105181450	Capscrew	4
24	7950180153	Flatwasher	4
25	7660182333	Locknut	4
26	7660162301	Locknut	4
27	7105201650	Capscrew	4
28	7105202250	Capscrew	4
29	3062000015	Body Guide LH	1
	3062000014	Body Guide RH	1
30	4831000084	Spacer	2
31	4831000083	Spacer	2
32	4831000079	Spacer	2
33	7660202347	Locknut	8
34	3178000288	Saddle LH	1
	3178000289	Saddle RH	1
35	3691000184	Pin	2
36	7115161050	Capscrew	2
37	4679000192	Wear Pad 24' & 26'	6
	4679000192	Wear Pad 28' & 30'	10
38	4679000193	Wear Pad	8
39	7638000004	Mud Flap	2
40	4706000233	Backing Strip	2
41	7111150813	Screw	8
42	7950150000	Washer	8
43	7660150000	Nut	8



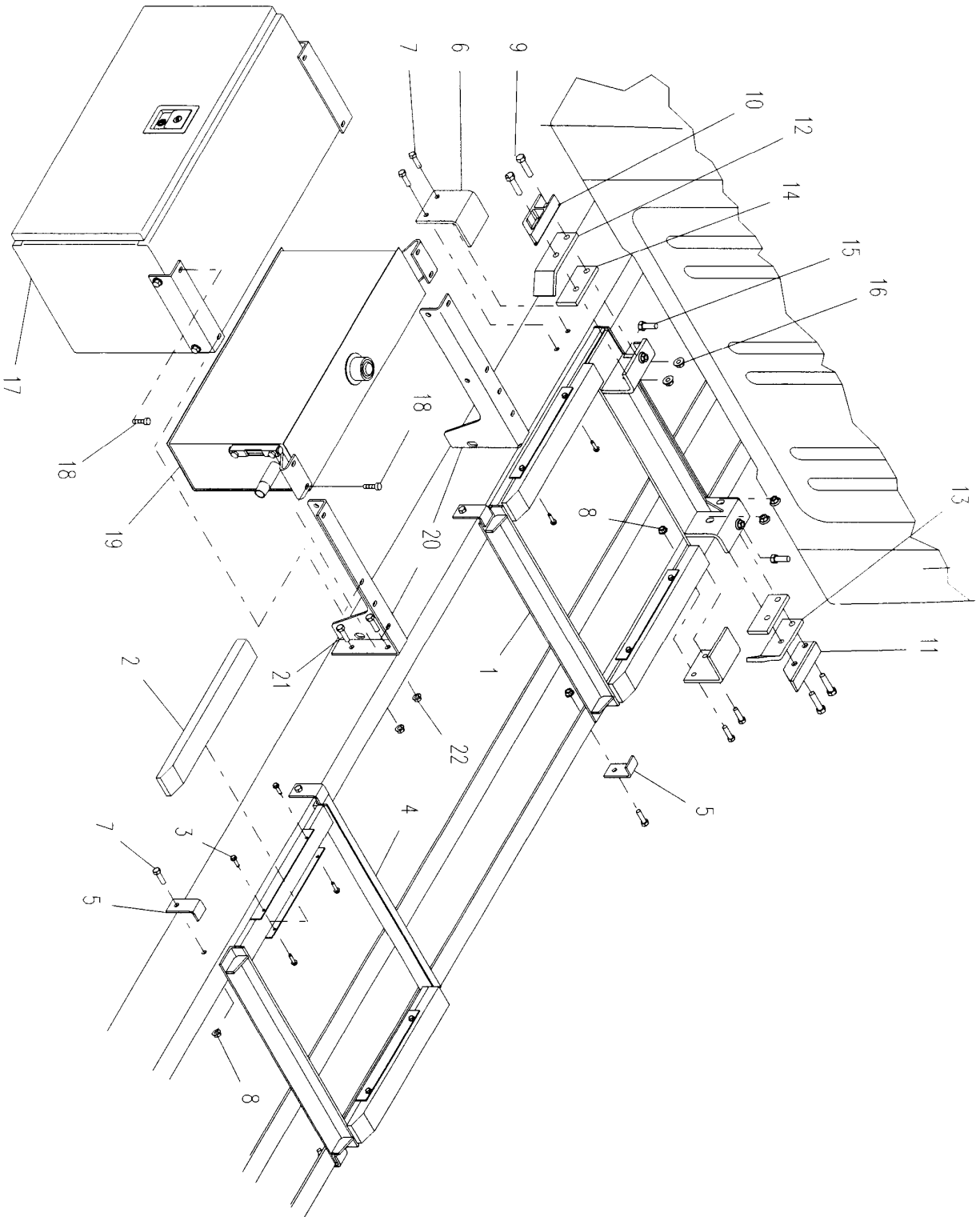
4.21

Rev. \_\_\_\_\_  
Date \_\_\_\_\_

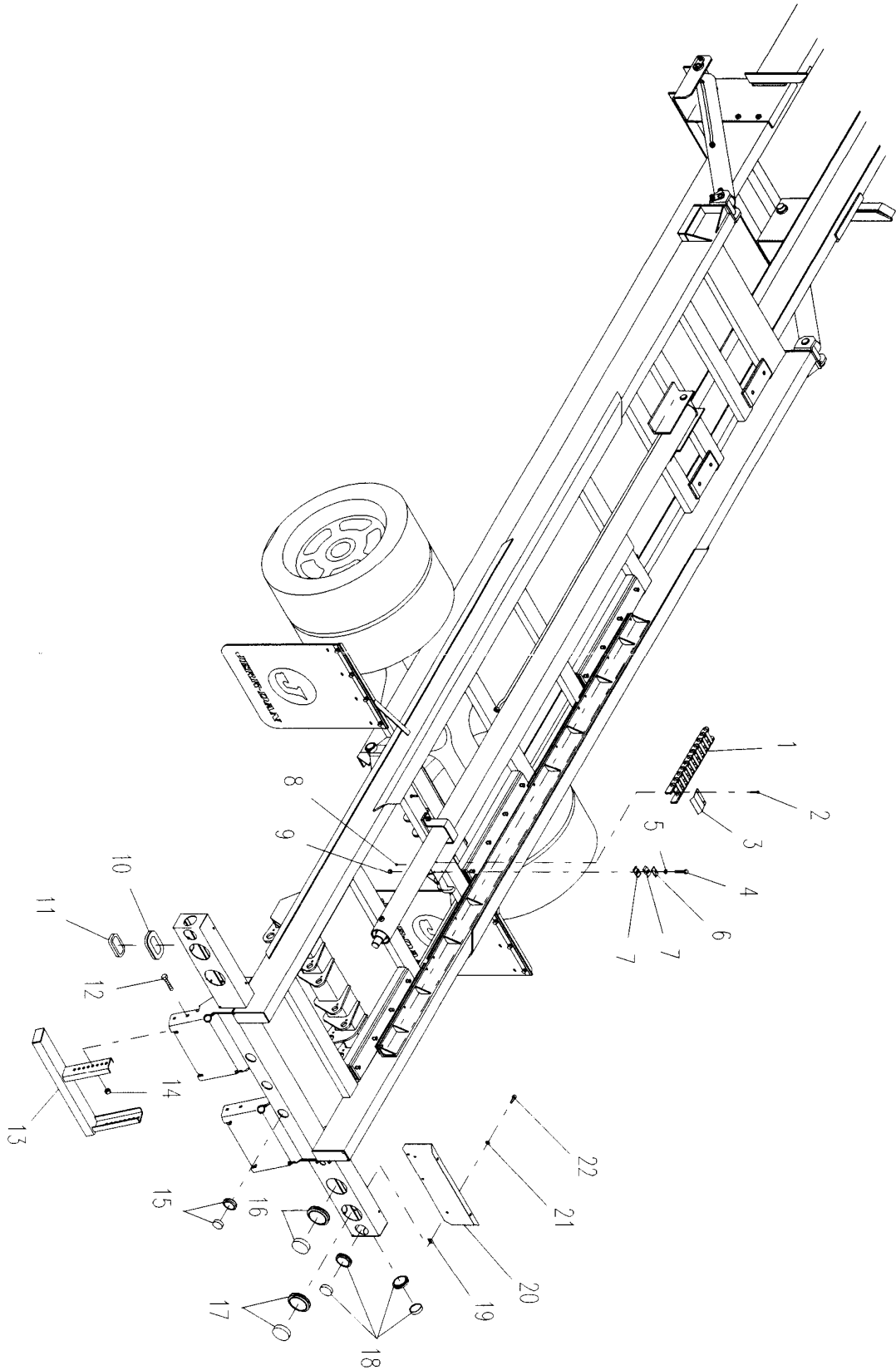
**PARTS LIST — FINAL ASSEMBLY**

<b>Ref. No.</b>	<b>Part No.</b>	<b>Description</b>	<b>Qty.</b>
1	3558000008	Primary Holddown Weld	1
2	4679000194	Wear Pad 24' & 28'	2
	4679000194	Wear Pad 26' & 30'	4
3	7790152056	Screw 24' & 28'	8
	7790152056	Screw 26' & 30'	16
4	3558000007	Secondary Holddown 26' & 30'	1
5	4017001097	Angle 24' & 28'	2
	4017001097	Angle 26' & 30'	6
6	4017001096	Angle	2
7	7105181450	Capscrew 24' & 28'	6
	7105181450	Capscrew 26' & 30'	10
8	7660182333	Locknut 24' & 28'	6
	7660182333	Locknut 26' & 30'	10
9	7105202050	Capscrew	4
10	7259000015	Cast Shoe LH	1
11	72590000016	Cast Shoe RH	1
12	4706003025	Plate LH	1
13	4706003026	Plate RH	1
14	4706003027	Plate (10 Ton Only)	2
15	7105201250	Capscrew	2
16	7660202347	Locknut	4
17	3899000051	36" Toolbox w/ SS Door	1
	3899000074	48" Toolbox w/ SS Door	
	3899000077	60" Toolbox w/ SS Door	
	3899000053	Storage Basket	
18	7790161253	Screw	8
19	3705000018	Oil Reservoir	1
20	4178000290	Bracket	1
	4178000291	Bracket	1
21	7118181216	Capscrew	4
22	7660182301	Locknut Flanged	4

FINAL ASSEMBLY



FINAL ASSEMBLY



**PARTS LIST — FINAL ASSEMBLY**

Ref. No.	Part No.	Description	Qty.
1	7904000001	Cable Carrier 24' & 26'	1
2	7904000003	Cable Carrier 28' & 30'	1
3	7114101618	Screw	2
4	4706003038	Plate	1
5	7115151650	Cap screw	1
6	7950150161	Washer	1
7	7274000039	Clamp Cover	1
8	7274000038	Half Clamp	2
9	7660102604	Nut	2
10	7660152601	Locknut	1
11	7493000010	Grommet	1
12	7590000103	License Plate Light	1
13	7115181064	Carriage Bolt	8
14	3190000028	Bumper Tube-Short	2
15	3190000030	Bumper Tube-Long	2
16	7660182601	Locknut	8
17	7590000079	Marker Light	3
18	7493000023	Grommet	3
19	7590000003	Back Up Light	2
20	7493000002	Grommet	2
21	7590000002	Stop/Turn/Tail Light	2
22	7493000009	Marker Light	2
	7590000047	Grommet	4
	7493000009	U-Nut	4
	7661000019	Cover	2
	4314000043	Washer	8
	7949000023	Screw	8
	7111140513	Screw	8

**PARTS LIST — DUAL CONTROLS**

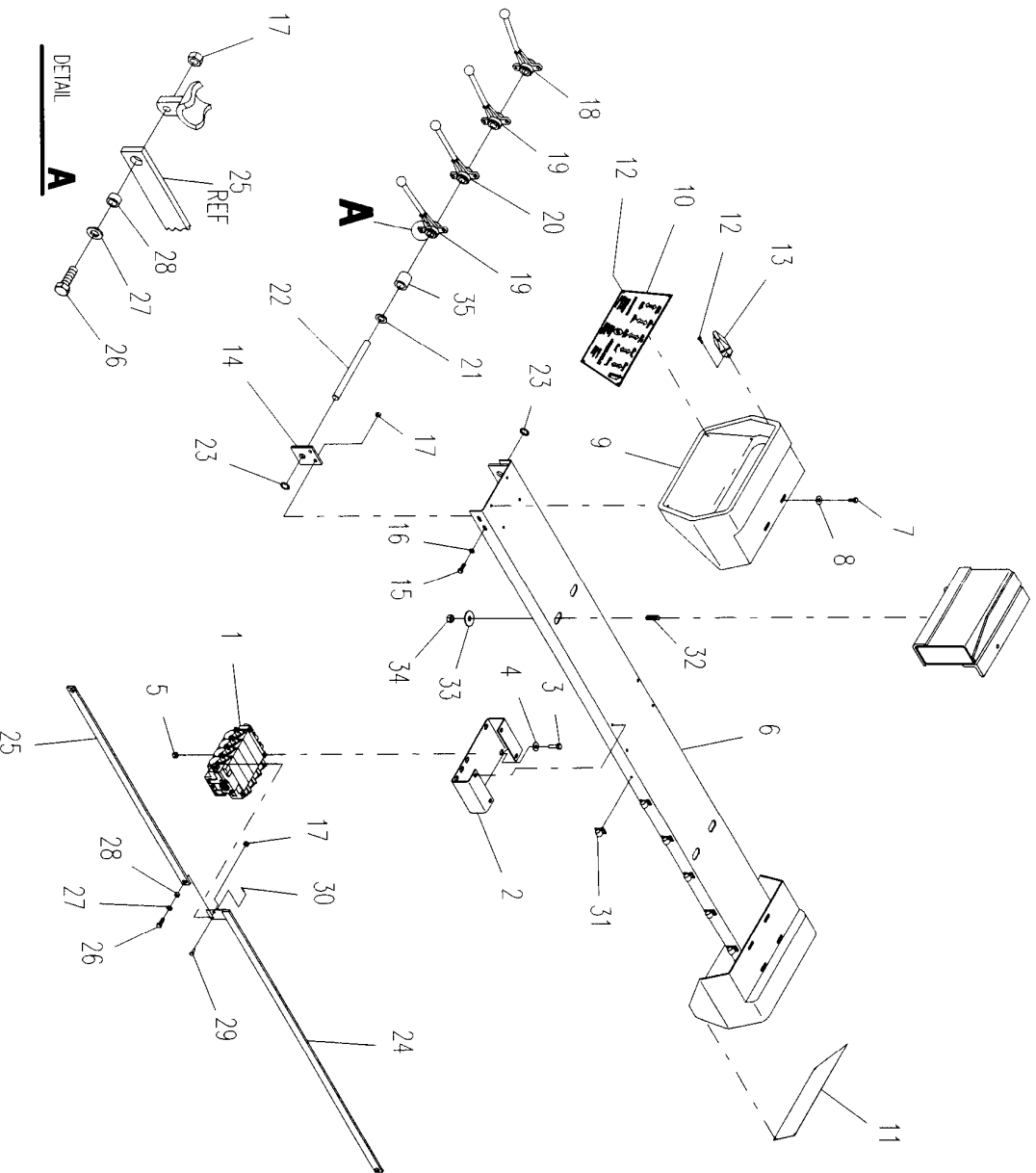
**PARTS LIST — DUAL CONTROLS**

Ref. No.	Part No.	Description	Qty.	Ref. No.	Part No.	Description	Qty.
1	3935000065	Control Valve (A)	1	29	7690101200	Clevis Pin (A)	3
	3935000066	Control Valve (B)			7690101200	Clevis Pin (B)	4
	3935000067	Control Valve (C)			7690101200	Clevis Pin (C)	4
	3935000068	Control Valve (D)		30	7690000810	Cotter Pin (A)	5
2	4263000430	Channel (A,B,C)	1		7960000810	Cotter Pin (A)	3
	4263000433	Channel (D)			7690000810	Cotter Pin (B)	4
3	7111161050	Capcrew	1		7690000810	Cotter Pin (C)	5
4	7950160151	Washer	4	31	7280000007	Wire Clip	11
5	7660162601	Locknut	4	32	7866184240	Stud	4
6	4263000431	Channel (A,B,C)	4	33	7950180161	Washer	4
	4263000434	Channel (D)		34	7660181601	Locknut	4
7	7790151253	Screw	1	35	4209000021	Bushing (A)	2
8	7950150161	Washer	12		4209000021	Bushing (B)	4
9	7560000003	Molded Control Hood	8				
10	7330000169	Control Panel Placard - LH (A,B,C)	2				
	7330000219	Control Panel Placard - LH (D)					
11	7330000170	Control Panel Placard - RH (A,B,C)	1				
	7330000220	Control Panel Placard - RH (D)					
12	7759000016	Rivet	1				
13	7590000087	Lamp	12				
14	4606000065	Lug	2				
15	7111150864	Carriage Bolt	4				
16	7950150000	Lock Washer	4				
17	7660152601	Locknut (A)	8				
	7660152601	Locknut (B)					
	7660152601	Locknut (C)	17				
	7660152601	Locknut (D)	20				
18	7551000021	Handle (A,B)	23				
	7551000021	Handle (C)	26				
19	7551000020	Handle (A)	4				
	7551000020	Handle (B,C)	4				
20	7551000018	Handle	2				
	3551000044	Handle (D)	2				
21	7950220141	Washer	2				
22	4691000141	Pin	2				
23	7754000009	Retaining Ring	2				
24	3763000090	Control Rod (A)	4				
	3763000090	Control Rod (B)	4				
	3763000090	Control Rod (C)	3				
	3763000090	Control Rod (D)	4				
25	4763000210	Control Rod (A)	5				
	4763000210	Control Rod (B)	3				
	4763000210	Control Rod (C)	4				
26	7115150850	Capcrew (A)	5				
	7115150850	Capcrew (B)	9				
	7115150850	Capcrew (C)	9				
27	7949000011	Washer (A)	12				
	7949000011	Washer (B)	9				
	7949000011	Washer (C)	12				
	4831000069	Spacer (A)	15				
	4831000069	Spacer (B)	9				
28	4831000069	Spacer (C)	12				

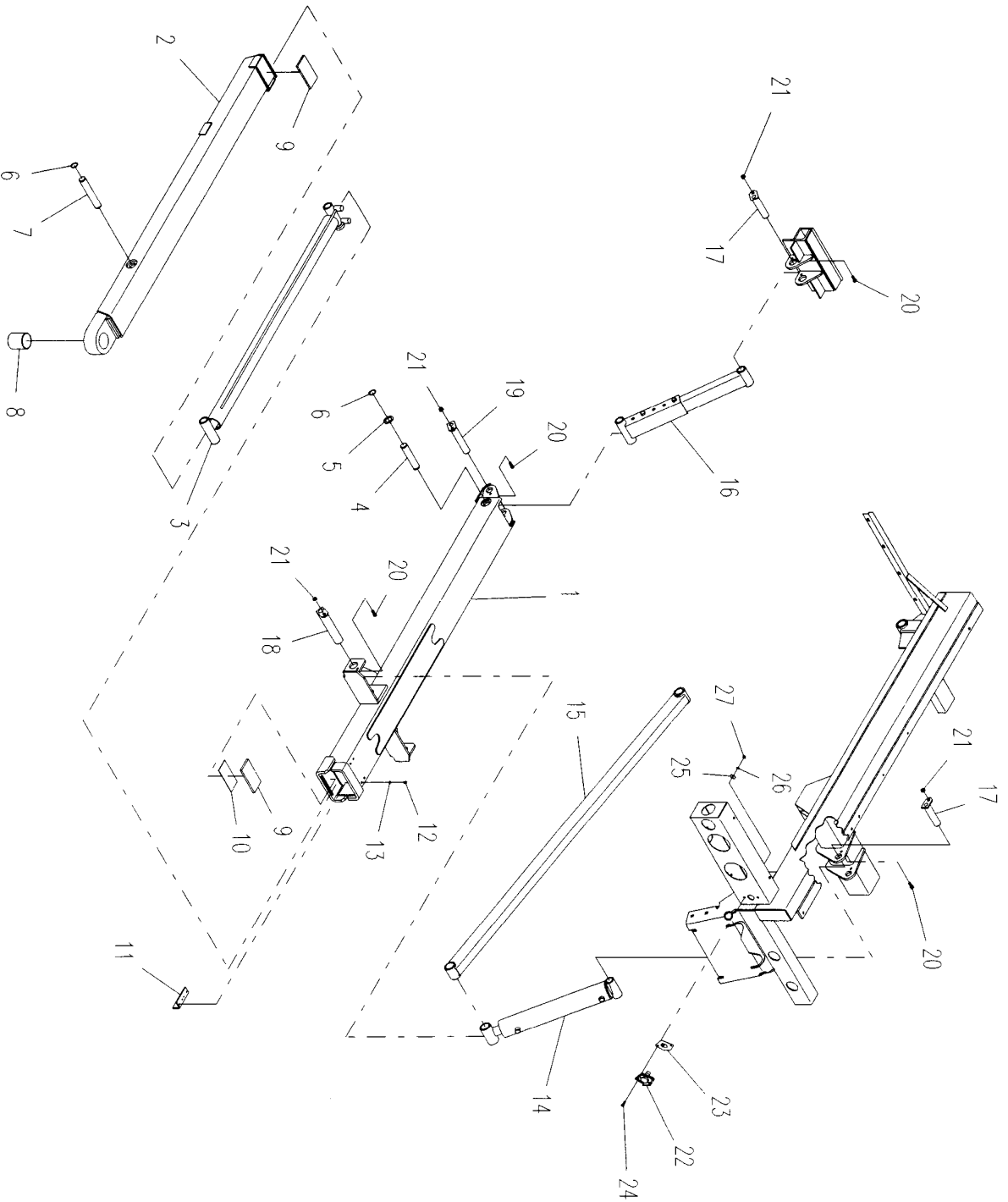
A - Application with 3 Bank Valve  
 B - Application with 4 Bank Valve  
 C - Application with 5 Bank Valve



# DUAL CONTROLS



3000# IRL WHEELLIFT



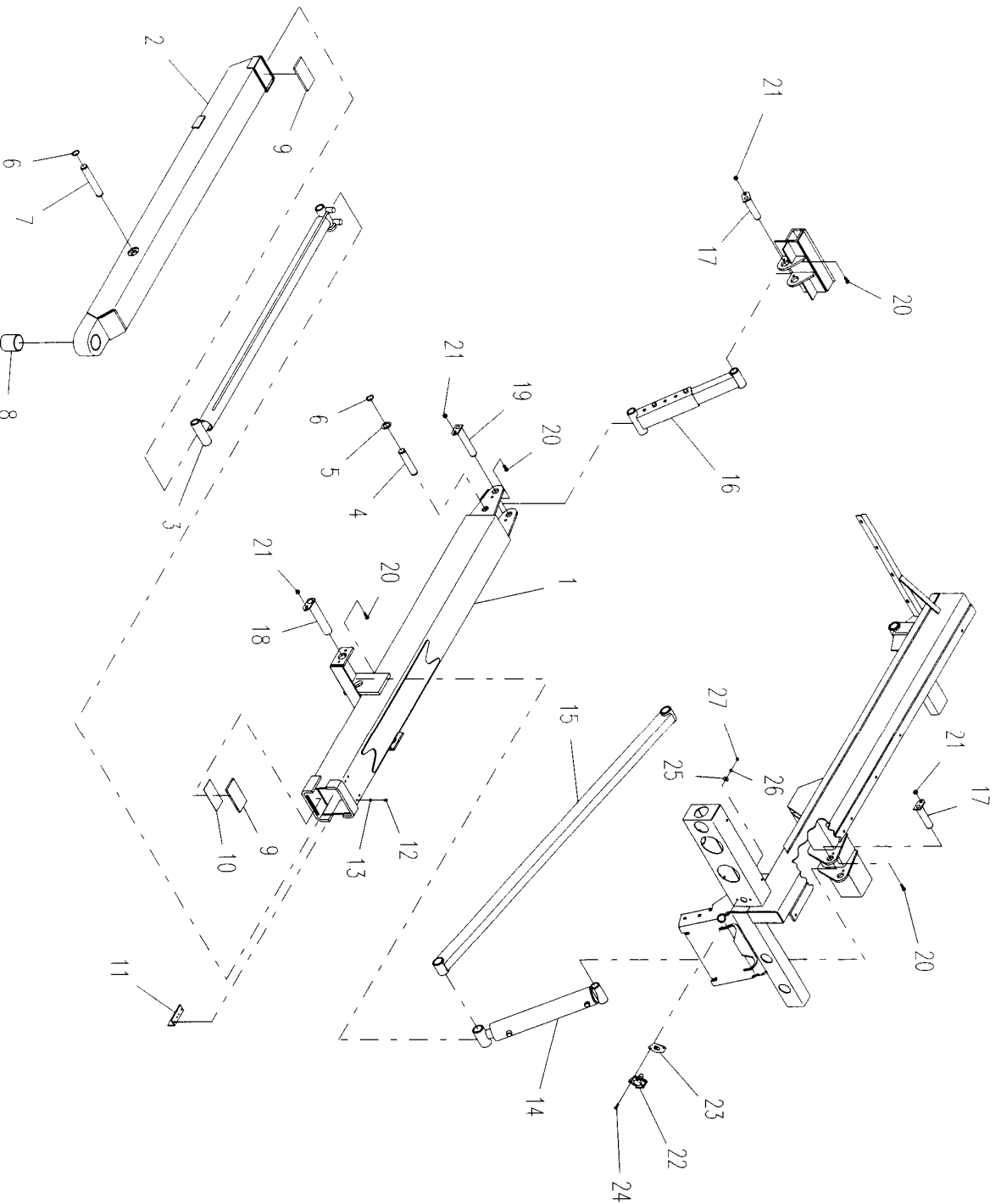
**PARTS LIST — 3000# IRL WHEELLIFT**

<b>Ref. No.</b>	<b>Part No.</b>	<b>Description</b>	<b>Qty.</b>
1	3170000162	Outer Boom Weldment	1
2	3911000046	Inner Boom Weldment	1
3	3320000064	Cylinder Assembly	1
4	4691000268	Pin	1
5	7919000026	Washer	2
6	7754000006	Retaining Ring	4
7	4691000296	Pin	1
8	7209000030	Bushing	1
9	4679000046	Wear Pad	2
10	4706002195	Plate	1
11	4017000739	Angle	2
12	7118140418	Capscrew	4
13	7950100151	Washer	4
14	3320000069	Cylinder Assembly	2
15	3020000057	Arm Weldment	2
16	3592000027	Adjustable Link	1
17	3691000164	Pin	2
18	3691000073	Pin	3
19	3691000069	Pin	1
20	7115160850	Capscrew	6
21	7660162301	Locknut	6
22	7291000003	Receptacle	1
23	7796000048	Gasket	1
24	7111140613	Screw	2
25	7950140161	Washer	2
26	7950140000	Lockwasher	2
27	7660140000	Nut	2

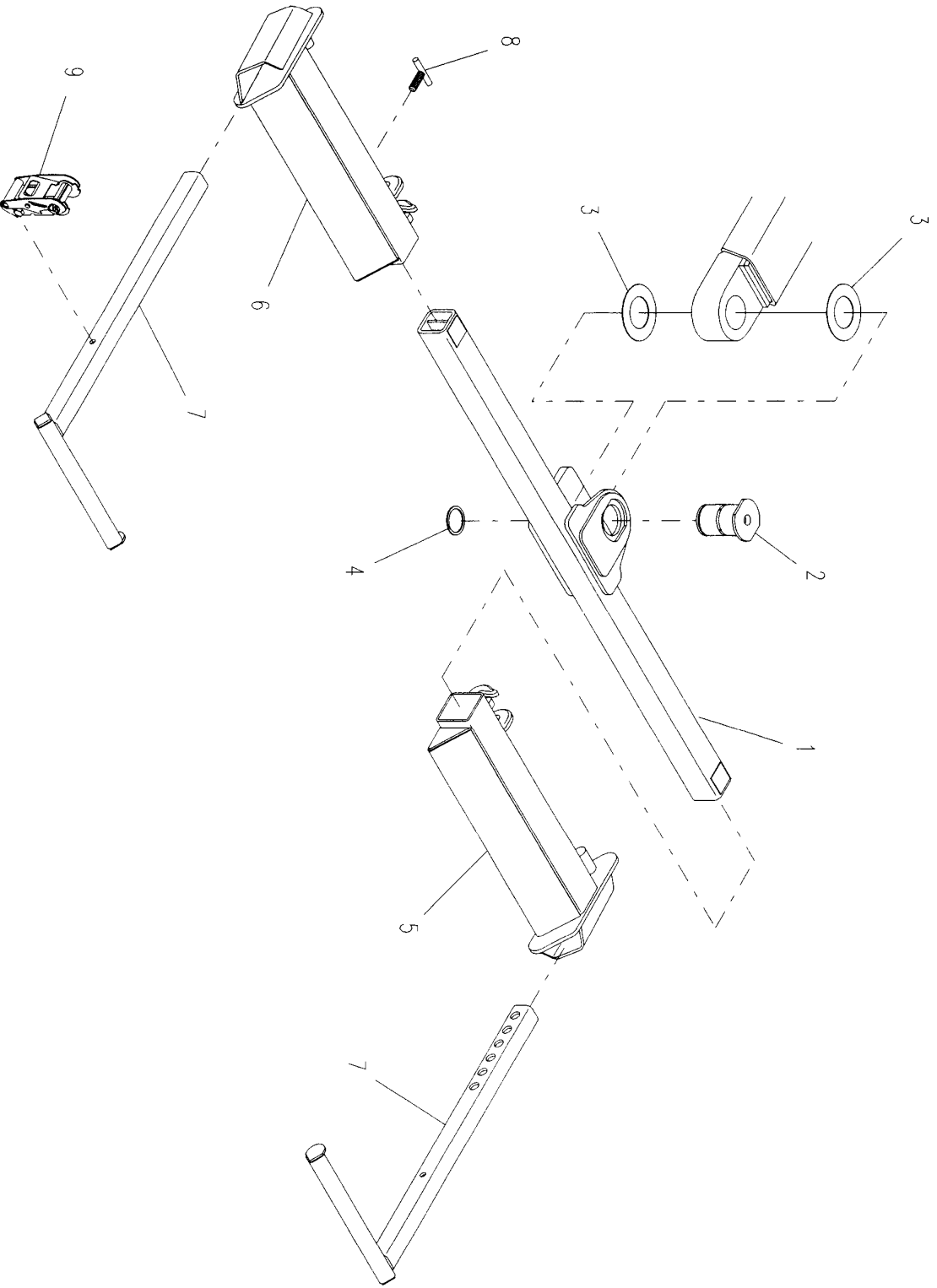
**PARTS LIST — 4000# IRL WHEELLIFT**

<b>Ref. No.</b>	<b>Part No.</b>	<b>Description</b>	<b>Qty.</b>
1	3170000163	Outer Boom Weldment	1
2	3170000164	Inner Boom Weldment	1
3	3320000064	Cylinder Assembly	1
4	4691000268	Pin	1
5	7919000026	Washer	2
6	7754000006	Retaining Ring	4
7	4691000296	Pin	1
8	7209000028	Bushing	1
9	4679000046	Wear Pad	2
10	4706002195	Plate	1
11	4017000739	Angle	2
12	7118140418	Capscrew	4
13	7950100151	Washer	4
14	3320000071	Cylinder Assembly	2
15	3020000058	Arm Weldment	2
16	3592000029	Adjustable Link	1
17	3691000164	Pin	2
18	3691000073	Pin	3
19	3691000069	Pin	1
20	7115160850	Capscrew	6
21	7660162301	Locknut	6
22	7291000003	Receptacle	1
23	7796000048	Gasket	1
24	7111140613	Screw	2
25	7950140161	Washer	2
26	7950140000	Lockwasher	2
27	7660140000	Nut	2

4000# IRL WHELLIFT



3000# WHELLEIFT GRID ASSEMBLY



**PARTS LIST — 3000# WHEELLIFT GRID ASSEMBLY**

<b>Ref. No.</b>	<b>Part No.</b>	<b>Description</b>	<b>Qty.</b>
1	3913000057	Pivot Tube	1
2	4691000278	Pin	1
3	4949000047	Washer	2
4	7754000024	Retaining Ring	1
5	3484000034	Grid Weldment - RH	1
6	3484000035	Grid Weldment - LH	1
7	3020000072	L-Arm	2
8	3551000036	T-Handle	2
9	7894000034	Ratchet and Strap	2



4.33

Rev. \_\_\_\_\_

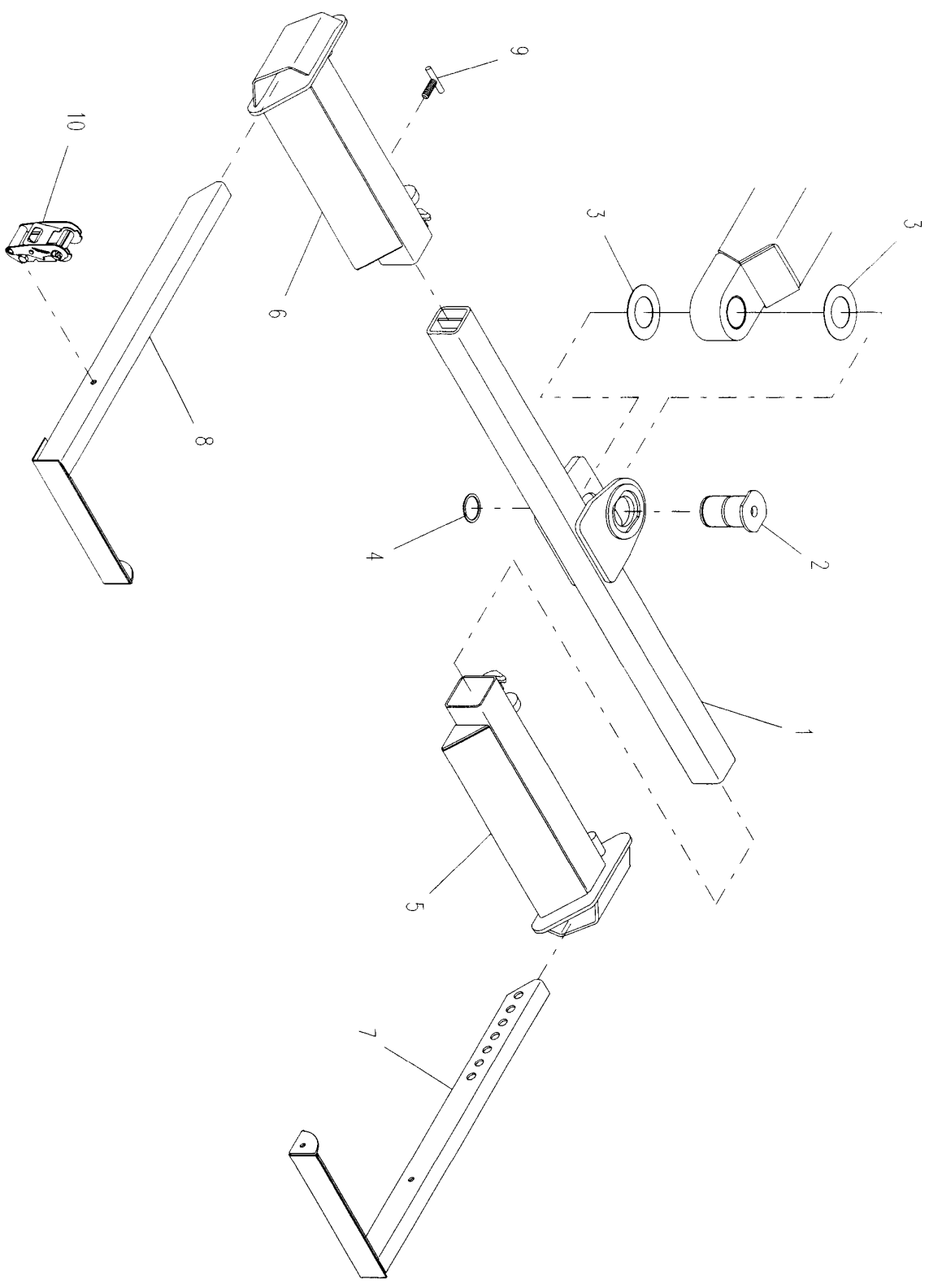
Date \_\_\_\_\_

---

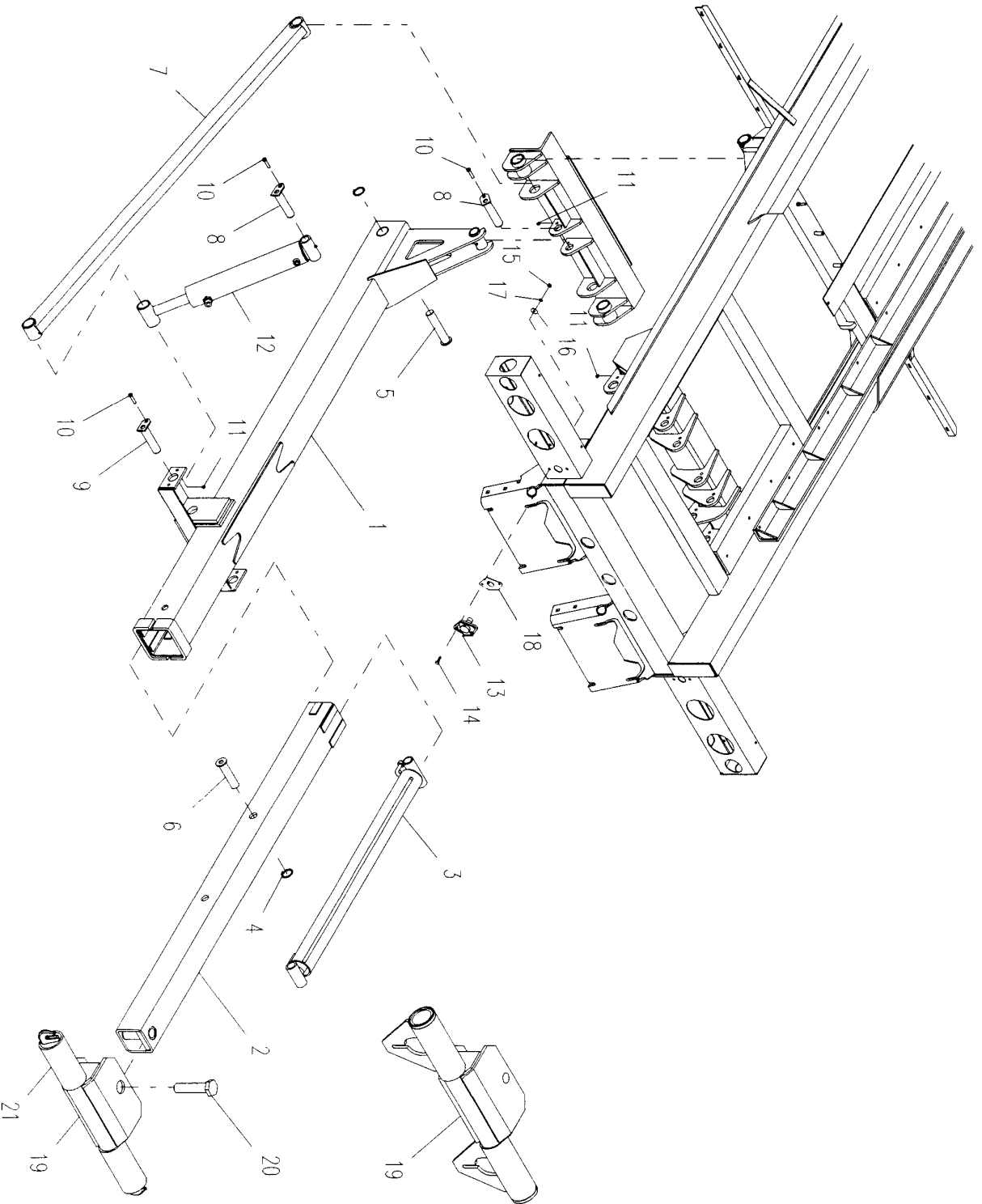
**PARTS LIST — 4000# WHEELLIFT GRID ASSEMBLY**

<b>Ref. No.</b>	<b>Part No.</b>	<b>Description</b>	<b>Qty.</b>
1	3913000061	Pivot Tube	1
2	4691000103	Pin	1
3	4949000047	Washer	2
4	7754000024	Retaining Ring	1
5	3484000030	Grid Weldment - RH	1
6	3484000031	Grid Weldment - LH	1
7	3020000038	L-Arm - RH	1
8	3020000037	L-Arm - LH	1
9	3551000036	T-Handle	2
10	7894000034	Ratchet and Strap	2

4000# WHEELLIFT GRID ASSEMBLY



5000# IRL TOWBAR ASSEMBLY



**PARTS LIST — 5000# IRL TOWBAR ASSEMBLY**

<b>Ref. No.</b>	<b>Part No.</b>	<b>Description</b>	<b>Qty.</b>
1	3170000185	Outer Boom Weldment	1
2	3170000078	Inner Boom Weldment	1
3	3320000020	Cylinder Assembly	1
4	7754000006	Retaining Ring	2
5	3691000042	Pin	1
6	3691000011	Pin	1
7	3020000074	Arm Weldment	2
8	3691000073	Pin	3
9	3691000164	Pin	2
10	7115160850	Capscrew	5
11	7660162301	Locknut	5
12	3320000084	Cylinder Assembly	2
13	7291000003	Receptacle	1
14	7111140613	Screw	2
15	7660140000	Nut	2
16	7950140161	Flatwasher	2
17	7950140000	Lockwasher	2
18	7796000048	Gasket	1
19	3556000026	Head	1
	3556000028	Head w/ Keyslots	
20	4120000008	Bolt	1
21	7912000011	Rubber Tube	1



4.37

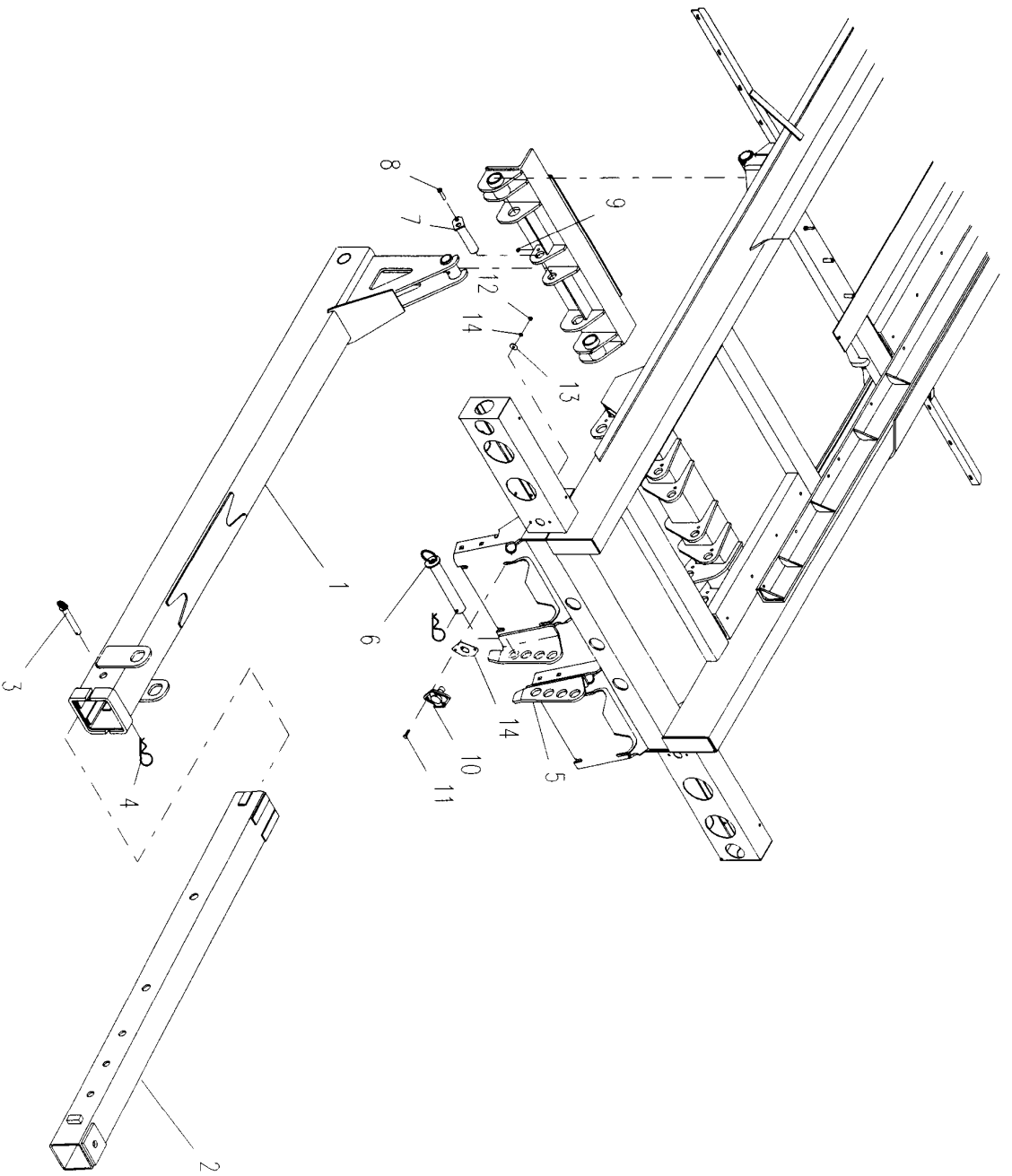
Rev. \_\_\_\_\_  
Date \_\_\_\_\_

**PARTS LIST — 3500# HYDRAULIC BALL HITCH ASSEMBLY**

<b>Ref. No.</b>	<b>Part No.</b>	<b>Description</b>	<b>Qty.</b>
1	3170000212	Outer Boom Weldment	1
2	3913000062	Inner Tube Weldment	1
3	3320000020	Cylinder Assembly	1
4	7754000006	Retaining Ring	2
5	3691000042	Pin	1
6	3691000011	Pin	1
7	3691000097	Pin	1
8	7691000001	Hair Pin	1
9	3691000073	Pin	1
10	7115160850	Capscrew	1
11	7660162301	Locknut	1
12	7291000003	Receptacle	1
13	7111140613	Screw	2
14	7660140000	Nut	2
15	7950140161	Flatwasher	2
16	7950140000	Lockwasher	2
17	7796000048	Gasket	1
18	4706002537	Plate RH	1
	4706002536	Plate LH	1



**3500# MANUAL BALL HITCH ASSEMBLY**



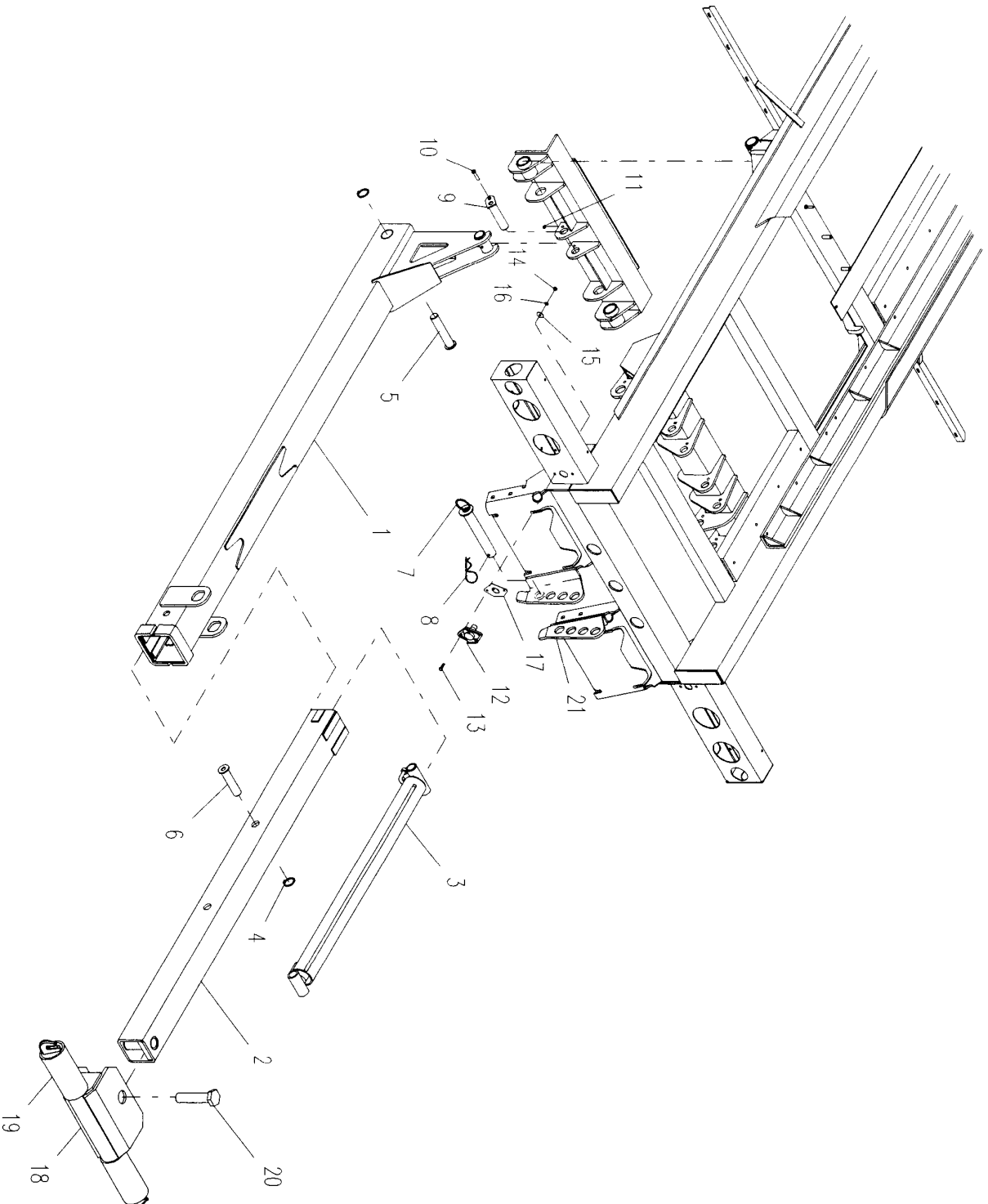
**PARTS LIST — 3500# MANUAL BALL HITCH ASSEMBLY**

<b>Ref. No.</b>	<b>Part No.</b>	<b>Description</b>	<b>Qty.</b>
1	3170000212	Outer Boom Weldment	1
2	3913000062	Inner Tube Weldment	1
3	3691000064	Pin	1
4	7691000001	Hair Pin	1
5	4706002537	Plate RH	1
	4706002536	Plate LH	1
6	3691000097	Pin	1
7	3691000073	Pin	1
8	7115160850	Capscrew	1
9	7660162301	Locknut	1
10	7291000003	Receptacle	1
11	7111140613	Screw	2
12	7660140000	Nut	2
13	7950140161	Flatwasher	2
14	7950140000	Lockwasher	2
17	7796000048	Gasket	1

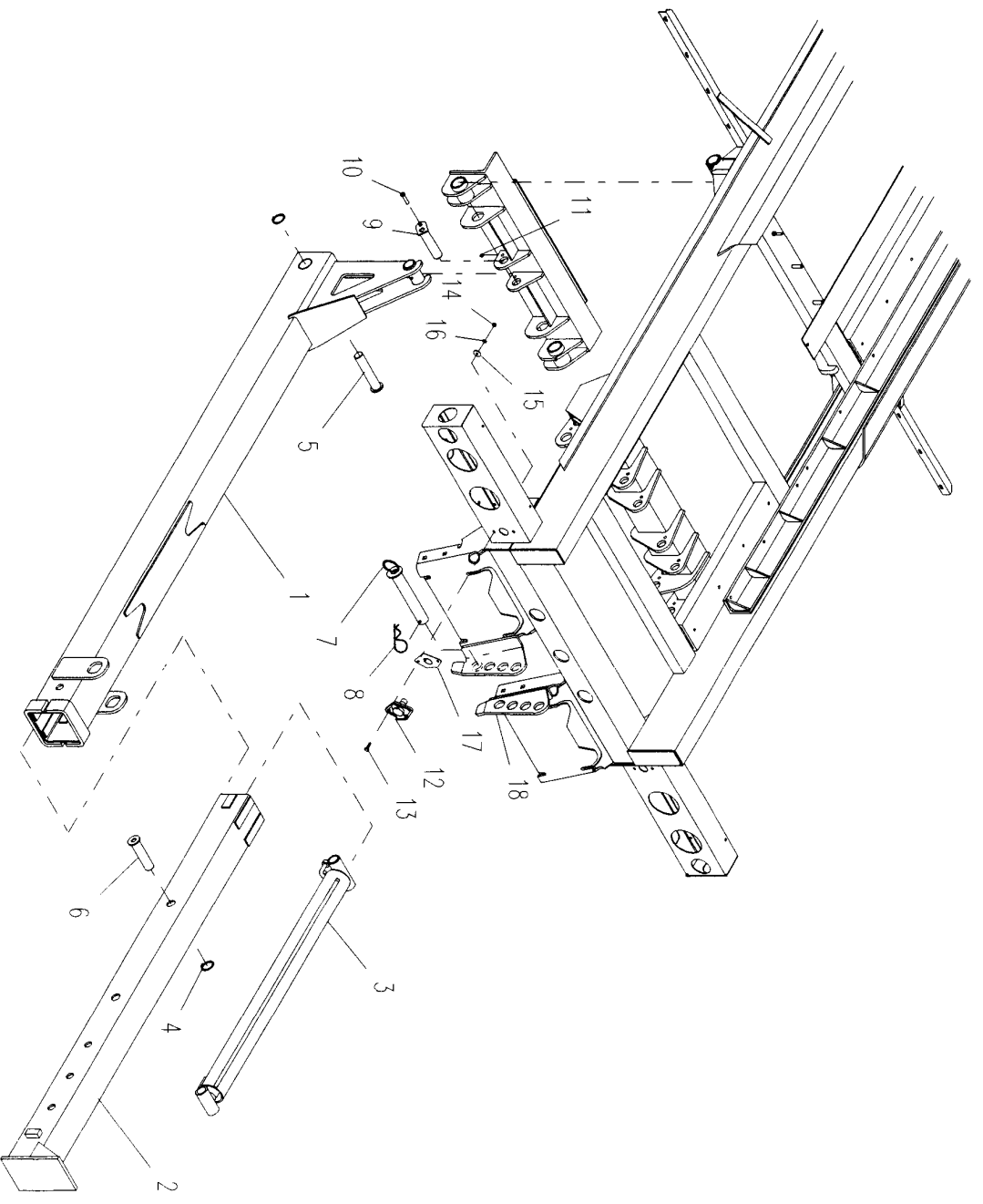
**PARTS LIST — 3500# HYDRAULIC TOWBAR ASSEMBLY**

<b>Ref. No.</b>	<b>Part No.</b>	<b>Description</b>	<b>Qty.</b>
1	3170000212	Outer Boom Weldment	1
2	3170000048	Inner Boom Weldment	1
3	3320000020	Cylinder Assembly	1
4	7754000006	Retaining Ring	2
5	3691000042	Pin	1
6	3691000011	Pin	1
7	3691000097	Pin	1
8	7691000001	Hair Pin	1
9	3691000073	Pin	1
10	7115160850	Capscrew	1
11	7660162301	Locknut	1
12	7291000003	Receptacle	1
13	7111140613	Screw	2
14	7660140000	Nut	2
15	7950140161	Flatwasher	2
16	7950140000	Lockwasher	2
17	7796000048	Gasket	1
18	3556000023	Tow Bar Head 3500#	1
19	7912000011	Rubber Tube	2
20	4120000008	Bolt	1
21	4706002537	Plate RH	1
	4706002536	Plate LH	1

3500# HYDRAULIC TOWBAR ASSEMBLY



3500# HYDRAULIC PINTLE ASSEMBLY



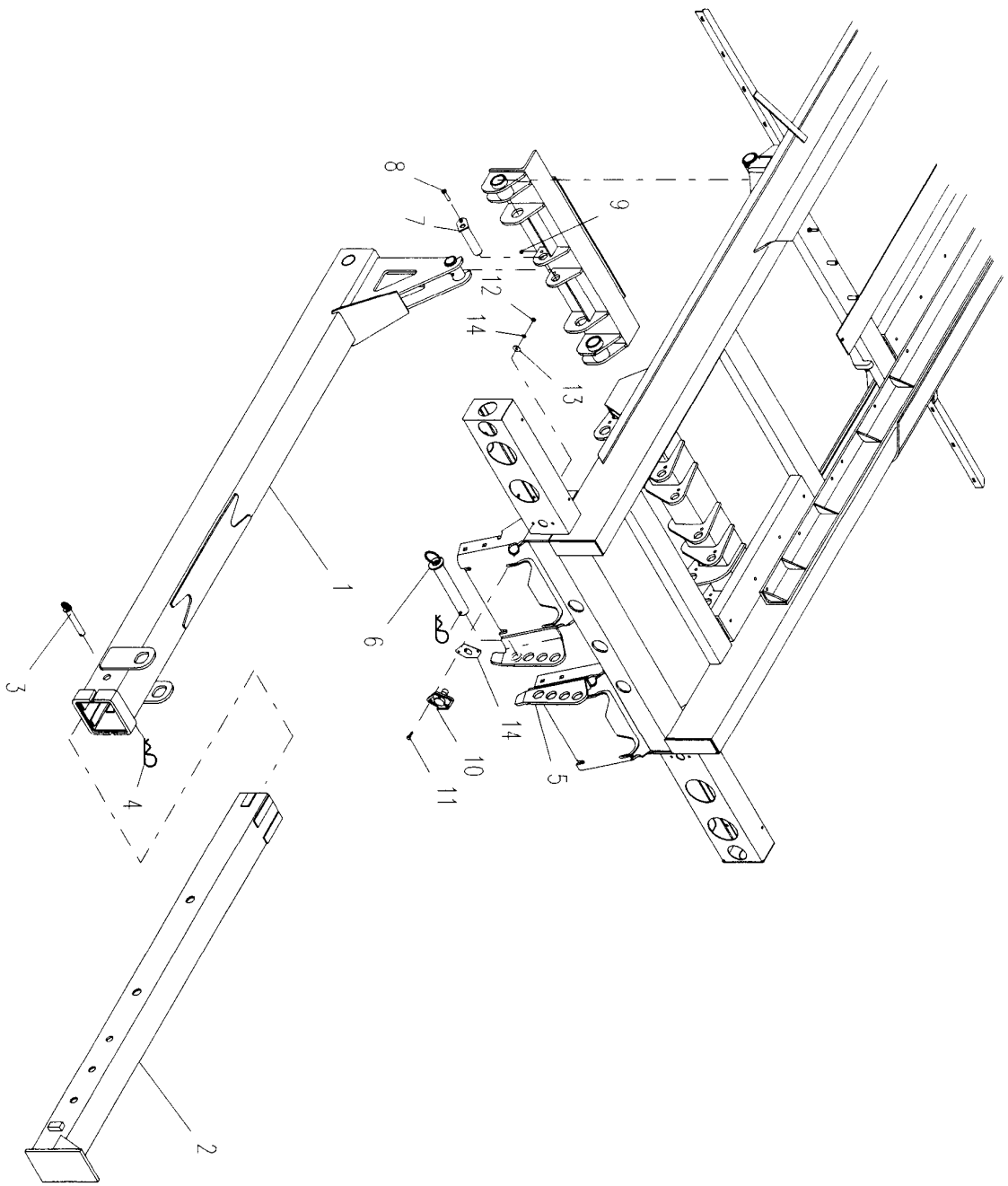
**PARTS LIST — 3500# HYDRAULIC PINTLE ASSEMBLY**

<b>Ref. No.</b>	<b>Part No.</b>	<b>Description</b>	<b>Qty.</b>
1	3170000212	Outer Boom Weldment	1
2	3170000208	Inner Boom Weldment	1
3	3320000020	Cylinder Assembly	1
4	7754000006	Retaining Ring	2
5	3691000042	Pin	1
6	3691000011	Pin	1
7	3691000097	Pin	1
8	7691000001	Hair Pin	1
9	3691000073	Pin	1
10	7115160850	Capscrew	1
11	7660162301	Locknut	1
12	7291000003	Receptacle	1
13	7111140613	Screw	2
14	7660140000	Nut	2
15	7950140161	Flatwasher	2
16	7950140000	Lockwasher	2
17	7796000048	Gasket	1
18	4706002537	Plate RH	1
	4706002536	Plate LH	1

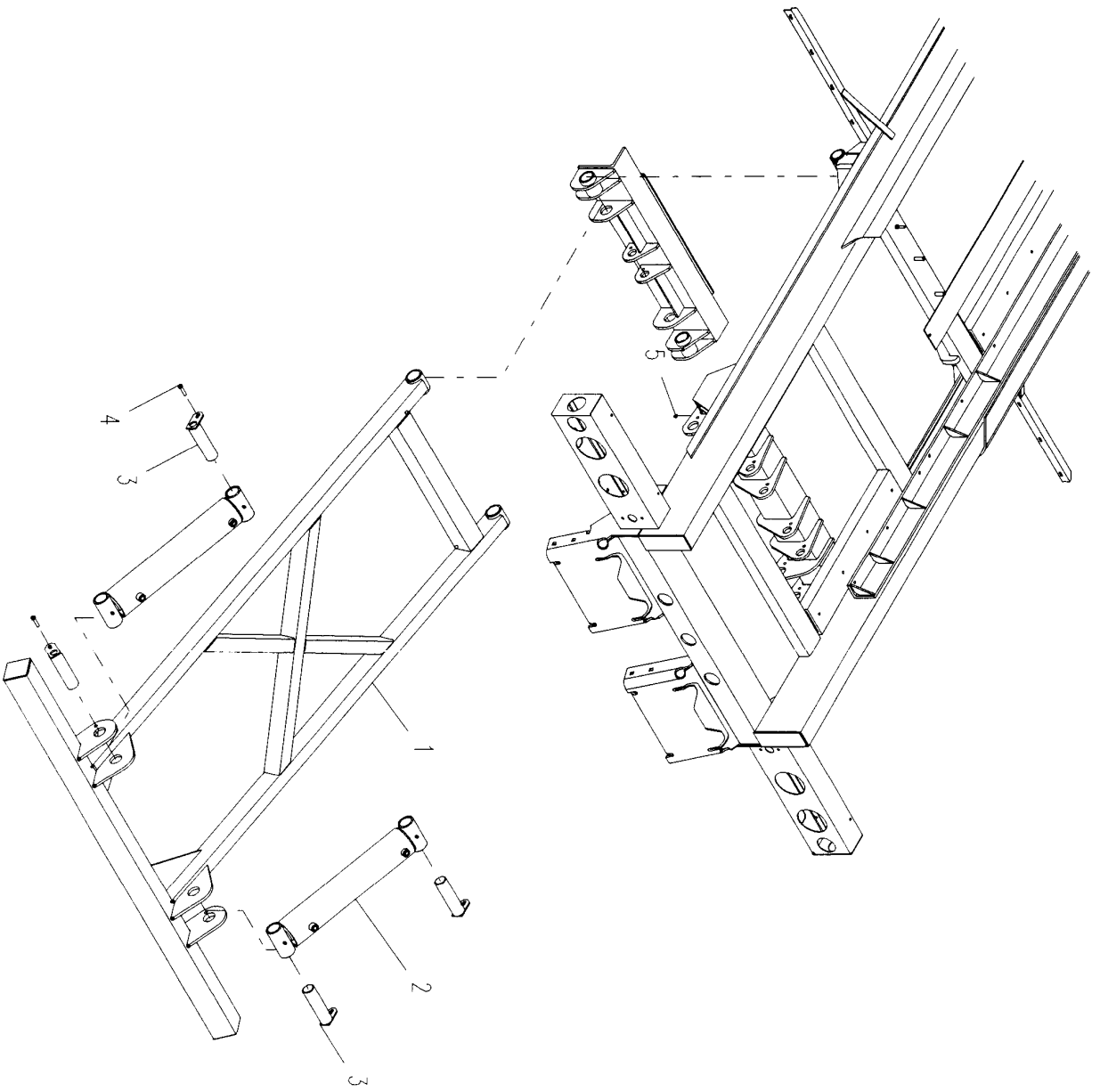
**PARTS LIST — 3500# MANUAL PINTLE HITCH ASSEMBLY**

<b>Ref. No.</b>	<b>Part No.</b>	<b>Description</b>	<b>Qty.</b>
1	3170000212	Outer Boom Weldment	1
2	3913000208	Inner Tube Weldment	1
3	3691000064	Pin	1
4	7691000001	Hair Pin	1
5	4706002537	Plate RH	1
	4706002536	Plate LH	1
6	3691000097	Pin	1
7	3691000073	Pin	1
8	7115160850	Capscrew	1
9	7660162301	Locknut	1
10	7291000003	Receptacle	1
11	7111140613	Screw	2
12	7660140000	Nut	2
13	7950140161	Flatwasher	2
14	7950140000	Lockwasher	2
17	7796000048	Gasket	1

3500# MANUAL PINTLE ASSEMBLY



REAR DOCK STABILIZER ASSEMBLY



4.48

---

**PARTS LIST — REAR DOCK STABILIZER ASSEMBLY**

<b>Ref. No.</b>	<b>Part No.</b>	<b>Description</b>	<b>Qty.</b>
1	3849000013	Stabilizer Weldment	1
2	3320000089	Cylinder Assembly	1
3	3691000184	Pin	4
4	7115160850	Capscrew	4
5	7660162301	Locknut	4



4.49

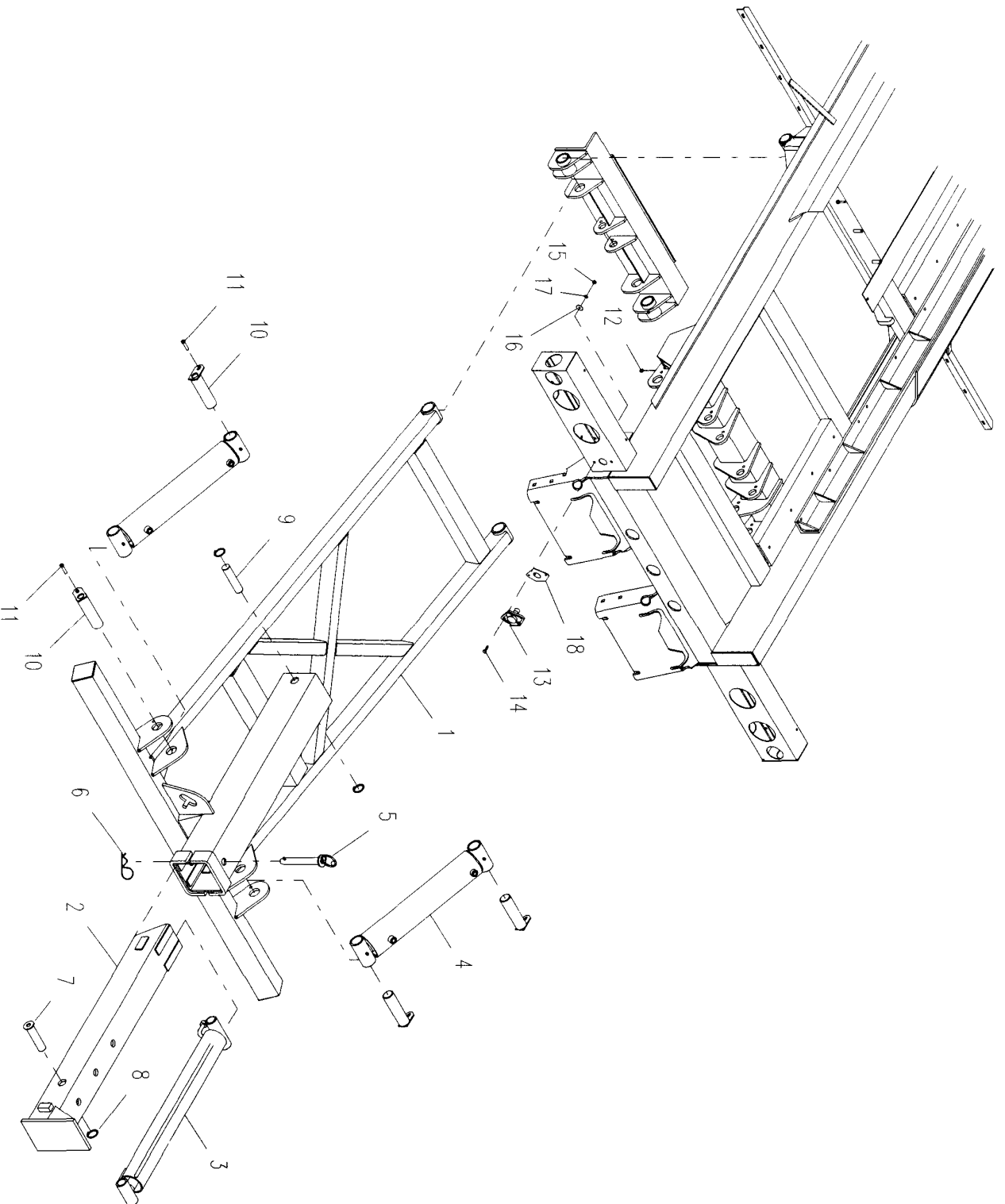
Rev. \_\_\_\_\_

Date \_\_\_\_\_

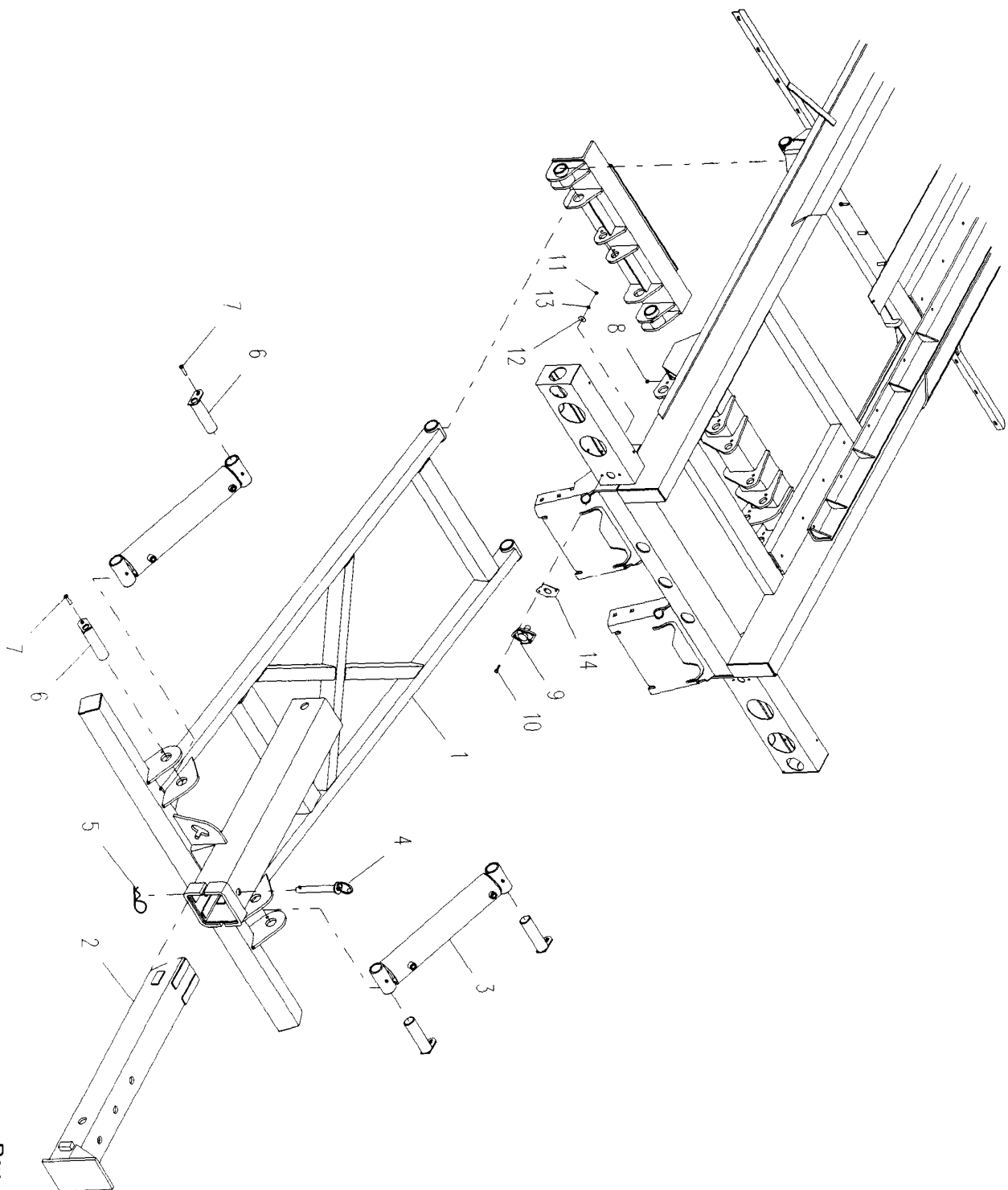
**PARTS LIST — REAR DOCK STABILIZER W/ HYDRAULIC PINTLE  
BOOM ASSEMBLY**

<b>Ref. No.</b>	<b>Part No.</b>	<b>Description</b>	<b>Qty.</b>
1	3849000016	Stabilizer Weldment	1
2	3170000203	Inner Boom Weldment	1
3	3320000086	Cylinder Assembly	1
4	3320000099	Cylinder Assembly	2
5	3691000064	Pin	1
6	7691000001	Hair Pin	1
7	3691000011	Pin	1
8	7754000006	Retaining Ring	3
9	3691000042	Pin	1
10	3691000184	Pin	4
11	7115160850	Capscrew	4
12	7660162301	Locknut	4
13	7291000003	Receptacle	1
14	7111140613	Screw	2
15	7660140000	Nut	2
16	7950140161	Flatwasher	2
17	7950140000	Lockwasher	2
18	7796000048	Gasket	1

REAR DOCK STABILIZER W/ HYDRAULIC PINTLE BOOM ASSEMBLY



REAR DOCK STABILIZER W/MANUAL PINTLE BOOM ASSEMBLY



4.52

Rev. \_\_\_\_\_  
Date \_\_\_\_\_

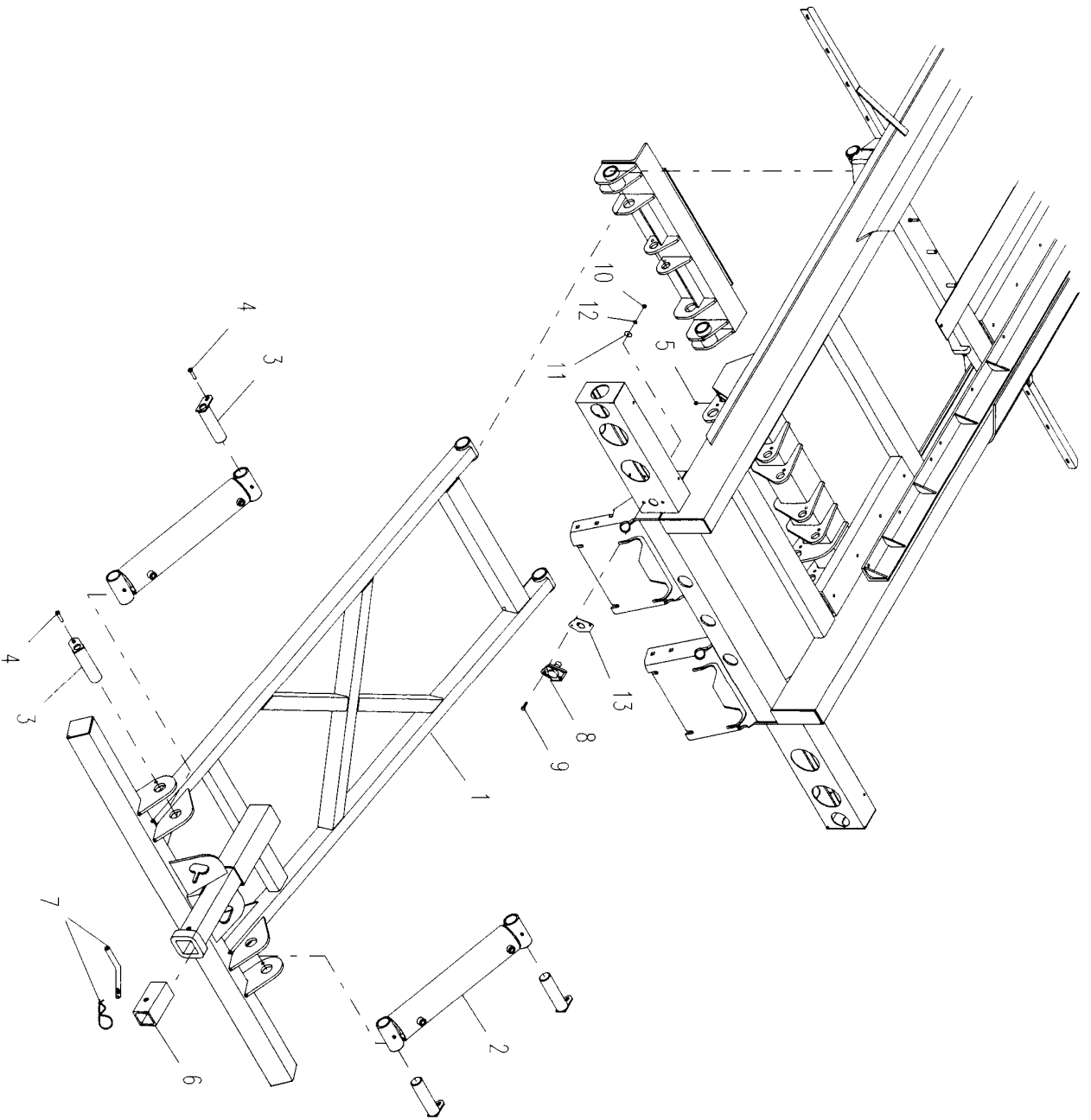
**PARTS LIST — REAR DOCK STABILIZER W/ MANUAL PINTLE BOOM  
ASSEMBLY**

<b>Ref. No.</b>	<b>Part No.</b>	<b>Description</b>	<b>Qty.</b>
1	3849000016	Stabilizer Weldment	1
2	3170000203	Inner Boom Weldment	1
3	3320000099	Cylinder Assembly	2
4	3691000064	Pin	1
5	7691000001	Hair Pin	1
6	3691000184	Pin	4
7	7115160850	Capscrew	4
8	7660162301	Locknut	4
9	7291000003	Receptacle	1
10	7111140613	Screw	2
11	7660140000	Nut	2
12	7950140161	Flatwasher	2
13	7950140000	Lockwasher	2
14	7796000048	Gasket	1

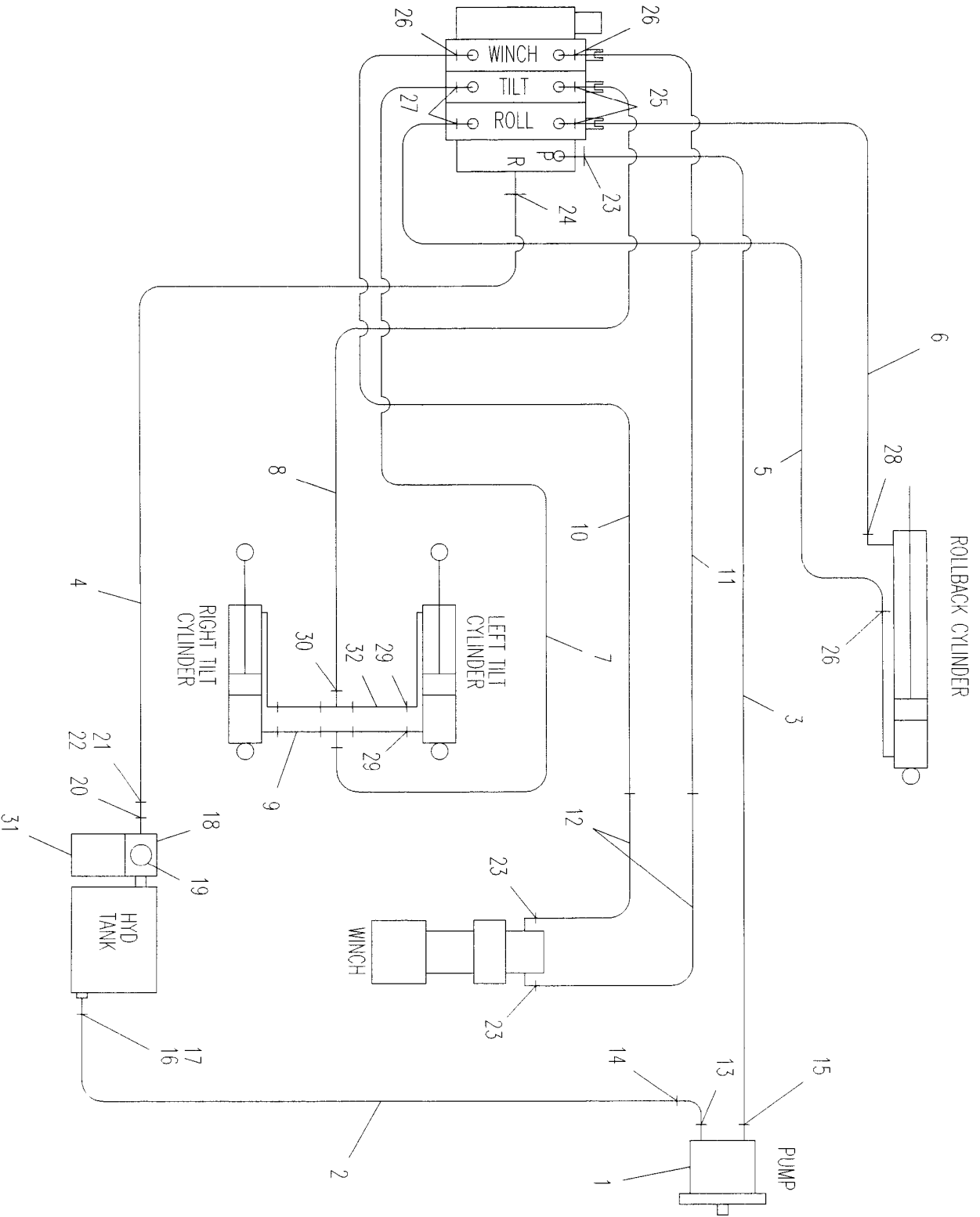
**PARTS LIST — REAR DOCK STABILIZER W/ REESE RECEIVER  
ASSEMBLY**

<b>Ref. No.</b>	<b>Part No.</b>	<b>Description</b>	<b>Qty.</b>
1	3849000017	Stabilizer Weldment	1
2	3320000099	Cylinder Assembly	2
3	3691000184	Pin	4
4	7115160850	Capscrew	4
5	7660162301	Locknut	4
6	7913000006	Reese Tube Reducer	1
7	7691000033	Pull Pin w/ Cotter	1
8	7291000003	Receptacle	1
9	7111140613	Screw	2
10	7660140000	Nut	2
11	7950140161	Flatwasher	2
12	7950140000	Lockwasher	2
13	7796000048	Gasket	1

REAR DOCK STABILIZER W/ REESE RECEIVER ASSEMBLY



# HYDRAULIC COMPONENTS



**PARTS LIST — HYDRAULIC COMPONENTS**

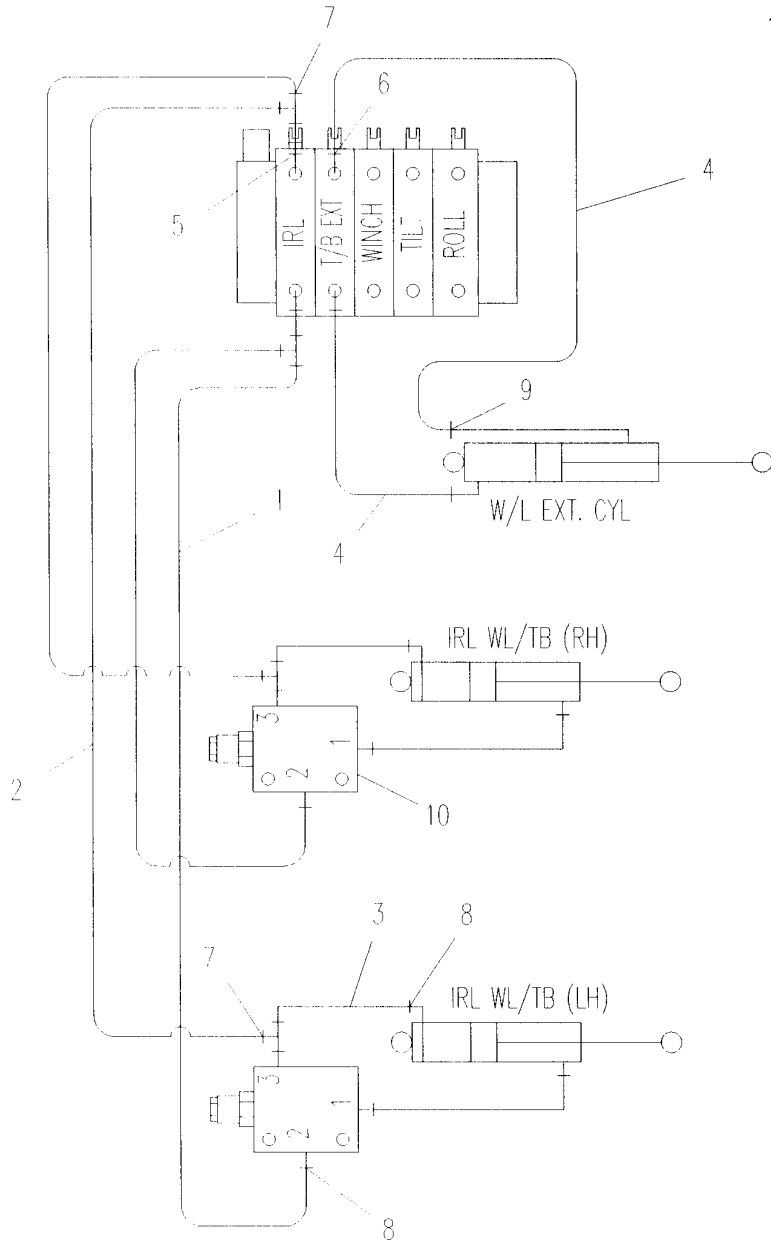
Ref. No.	Part No.	Description	Qty.
1	7724000021	Pump	1
2	4570000046	Suction Hose	1
3	4567130264	Hose Assembly (24')	1
	4567130290	Hose Assembly (26')	1
	4567130316	Hose Assembly (28')	1
	4567130342	Hose Assembly (30')	1
4	4570000159	Hose Assembly (24')	1
	4570000160	Hose Assembly (26')	1
	4570000161	Hose Assembly (28')	1
	4570000162	Hose Assembly (30')	1
5	4567123044	Hose Assembly (24' & 26')	1
	4567123051	Hose Assembly (28' & 30')	1
6	4567122040	Hose Assembly	1
7	4567123147	Hose Assembly (24' & 26')	1
	4567123189	Hose Assembly (28' & 30')	1
8	4567122147	Hose Assembly (24' & 26')	1
	4567122189	Hose Assembly (28' & 30')	1
9	4567123026	Hose Assembly	2
10	4569433130	Hose Assembly (24' & 26')	1
	4569433140	Hose Assembly (28' & 30')	1
11	4569432130	Hose Assembly (24' & 26')	1
	4569432140	Hose Assembly (28' & 30')	1
12	4567430153	Hose Assembly (24')	2
	4567430177	Hose Assembly (26')	2
	4567430193	Hose Assembly (28')	2
	4567430217	Hose Assembly (30')	2
13	7445081643	Adapter	1
14	7443000023	Elbow	1
15	7443000101	Adapter	1
16	7443000013	Nipple	1
17	7274000002	Clamp	1
18	7430000003	Filter Head and Element	1
19	7470000002	Gauge	1
20	7445161250	Reducer	1
21	7443000169	Adapter	1
22	7274000047	Clamp	1
23	7445081045	Elbow	3
24	7443000168	Adapter	1
25	7443000196	Adapter	2
26	7445080843	Adapter	3
27	7445060843	Adapter	6
28	7445080845	Elbow	1
29	7445060645	Elbow	2
30	7445060637	Tee	2
31	7431000001	Filter Element	1
32	4567120030	Hose Assembly (24' & 26')	2
	4567120035	Hose Assembly (28' & 30')	2



**PARTS LIST — HYDRAULIC COMPONENTS - IRL WHEELLIFT**

<b>Ref. No.</b>	<b>Part No.</b>	<b>Description</b>	<b>Qty.</b>
1	4567122043	Hose Assembly	2
2	4567123045	Hose Assembly	2
3	4567122013	Hose Assembly	2
4	4567110019	Hose Assembly	2
5	7443000129	Reducer	2
6	7443040643	Adapter	2
7	7445060648	Tee	4
8	7445060645	Elbow	4
9	7445040446	Elbow	2
10	7935000183	Counter Balance Valve	2

**HYDRAULIC COMPONENTS - IRL WHEELIFT**

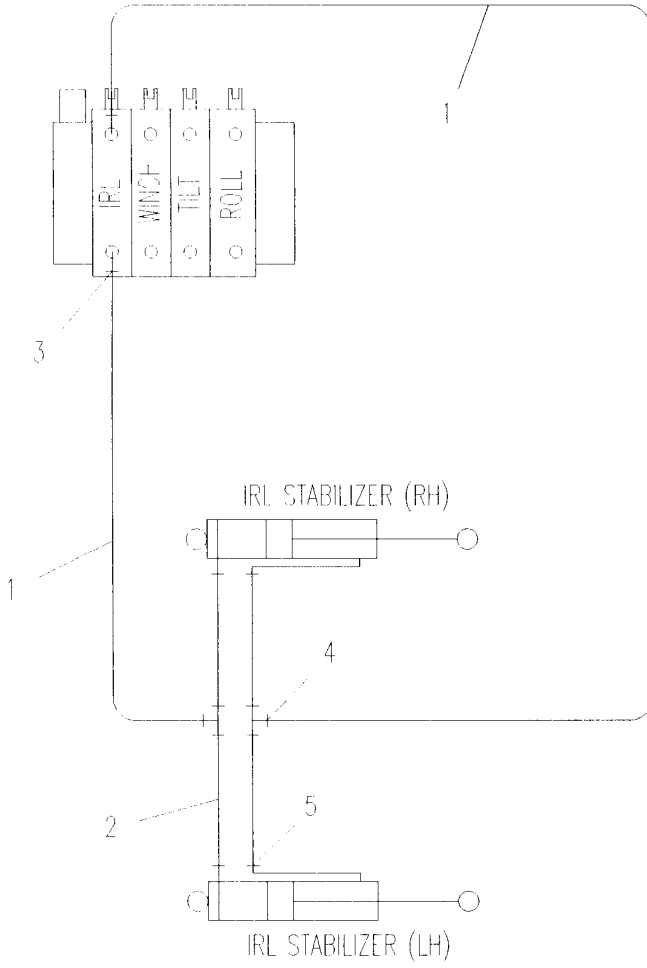


---

**PARTS LIST — HYDRAULIC COMPONENTS - STABILIZER**

<b>Ref. No.</b>	<b>Part No.</b>	<b>Description</b>	<b>Qty.</b>
1	4567122035	Hose Assembly	2
2	4567120019	Hose Assembly	4
3	7445060843	Adapter	2
4	7445060637	Tee	2
5	7445060645	Elbow	2

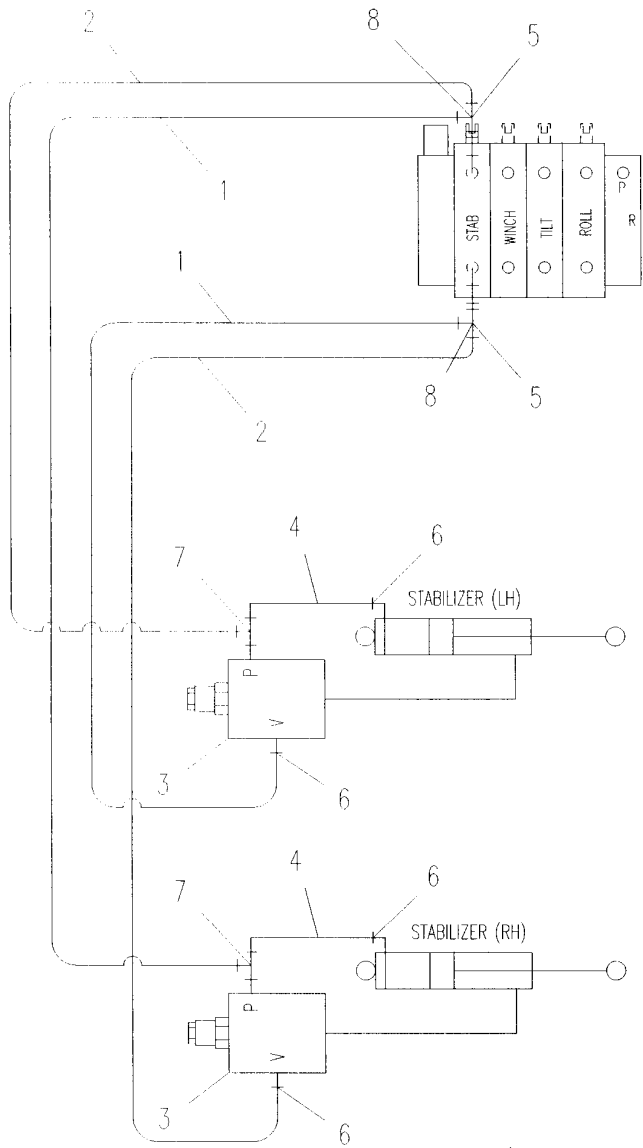
# HYDRAULIC COMPONENTS - STABILIZER



**PARTS LIST — HYDRAULIC COMPONENTS - STABILIZER W/  
MANUAL TOW OPTION**

<b>Ref. No.</b>	<b>Part No.</b>	<b>Description</b>	<b>Qty.</b>
1	4567122046	Hose Assembly	2
2	4567123050	Hose Assembly	2
3	7935000177	Counterbalance Valve	2
4	4567122013	Hose Assembly	2
5	7445060845	Elbow	2
6	7445060645	Elbow	4
7	7445060648	Tee	2
8	7443000030	Tee	2

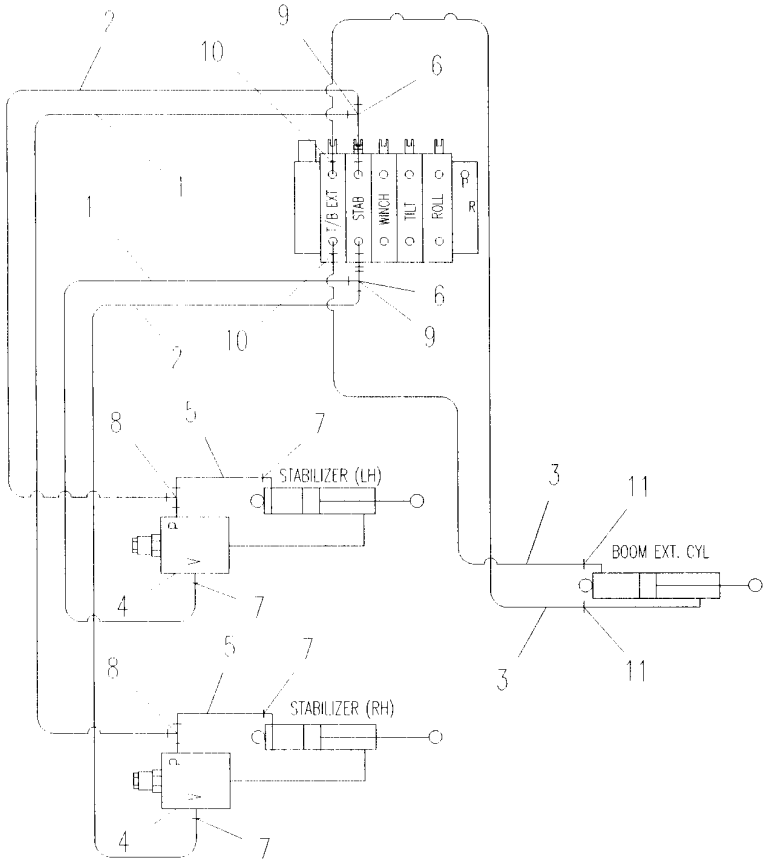
**HYDRAULIC COMPONENTS - STABILIZER W/ MANUAL TOW OPTION**



**PARTS LIST — HYDRAULIC COMPONENTS - STABILIZER W/  
HYDRAULIC TOW OPTION**

<b>Ref. No.</b>	<b>Part No.</b>	<b>Description</b>	<b>Qty.</b>
1	4567122046	Hose Assembly	2
2	4567123050	Hose Assembly	2
3	4567120034	Hose Assembly	2
4	7935000177	Counterbalance Valve	2
5	4567122013	Hose Assembly	2
6	7445060845	Elbow	2
7	7445060645	Elbow	4
8	7445060648	Tee	2
9	7443000030	Tee	2
10	7445060843	Adapter	2
11	7445060646	Elbow	2

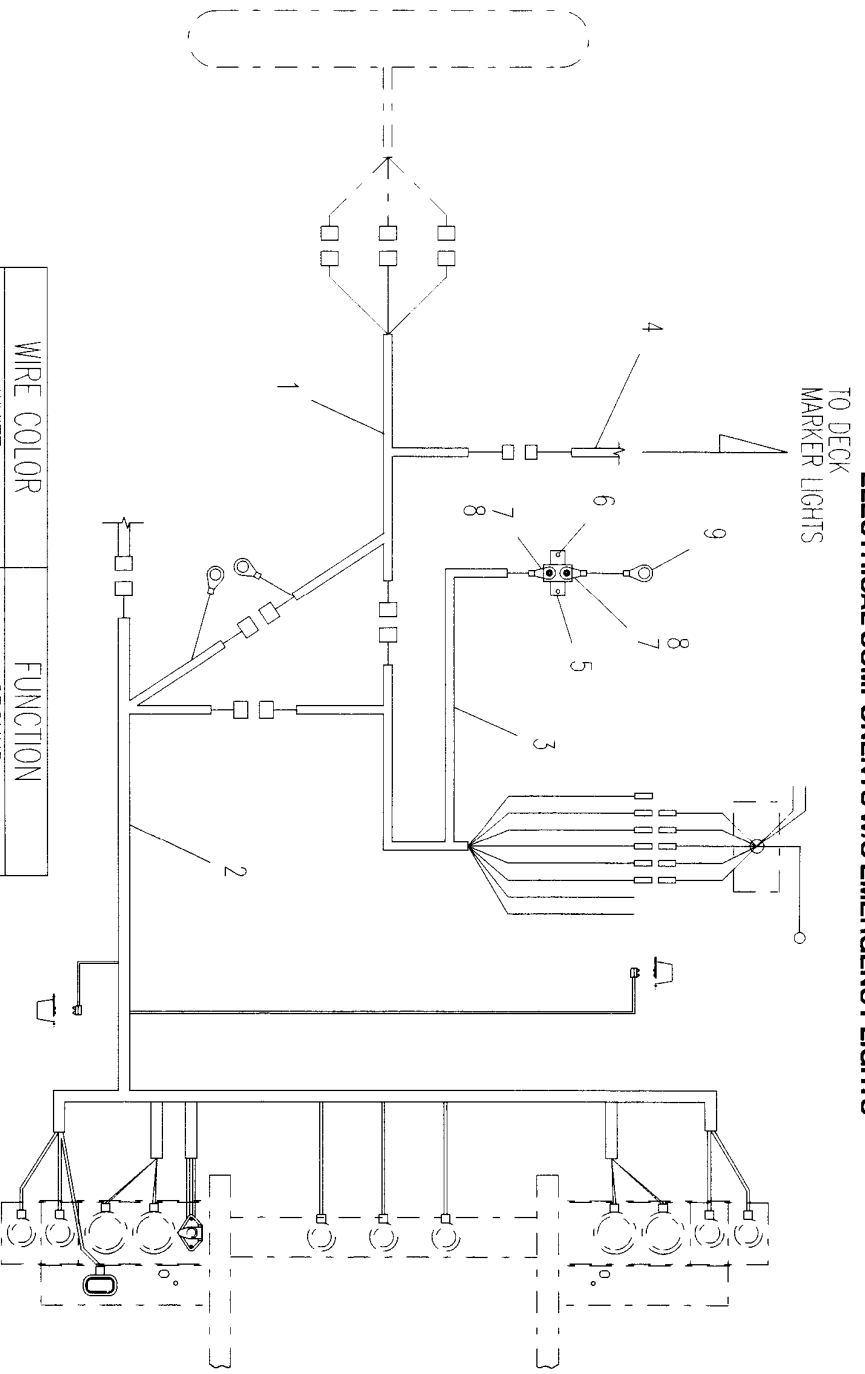
**HYDRAULIC COMPONENTS - STABILIZER W/ HYDRAULIC TOW  
OPTION**



**PARTS LIST — ELECTRICAL COMPONENTS**

<b>Ref. No.</b>	<b>Part No.</b>	<b>Description</b>	<b>Qty.</b>
1	7552000098	Wiring Harness - Subframe/Deck	1
2	7552000135	Wiring Harness - Subframe	1
3	7552000065	Wiring Harness - Subframe/Cab	1
4	7552000179	Wiring Harness - Deck	1
5	7457000004	Breaker	1
6	7790100856	Screw	2
7	7345221902	Terminal	2
8	7950100151	Washer	2
9	7345241902	Terminal	1

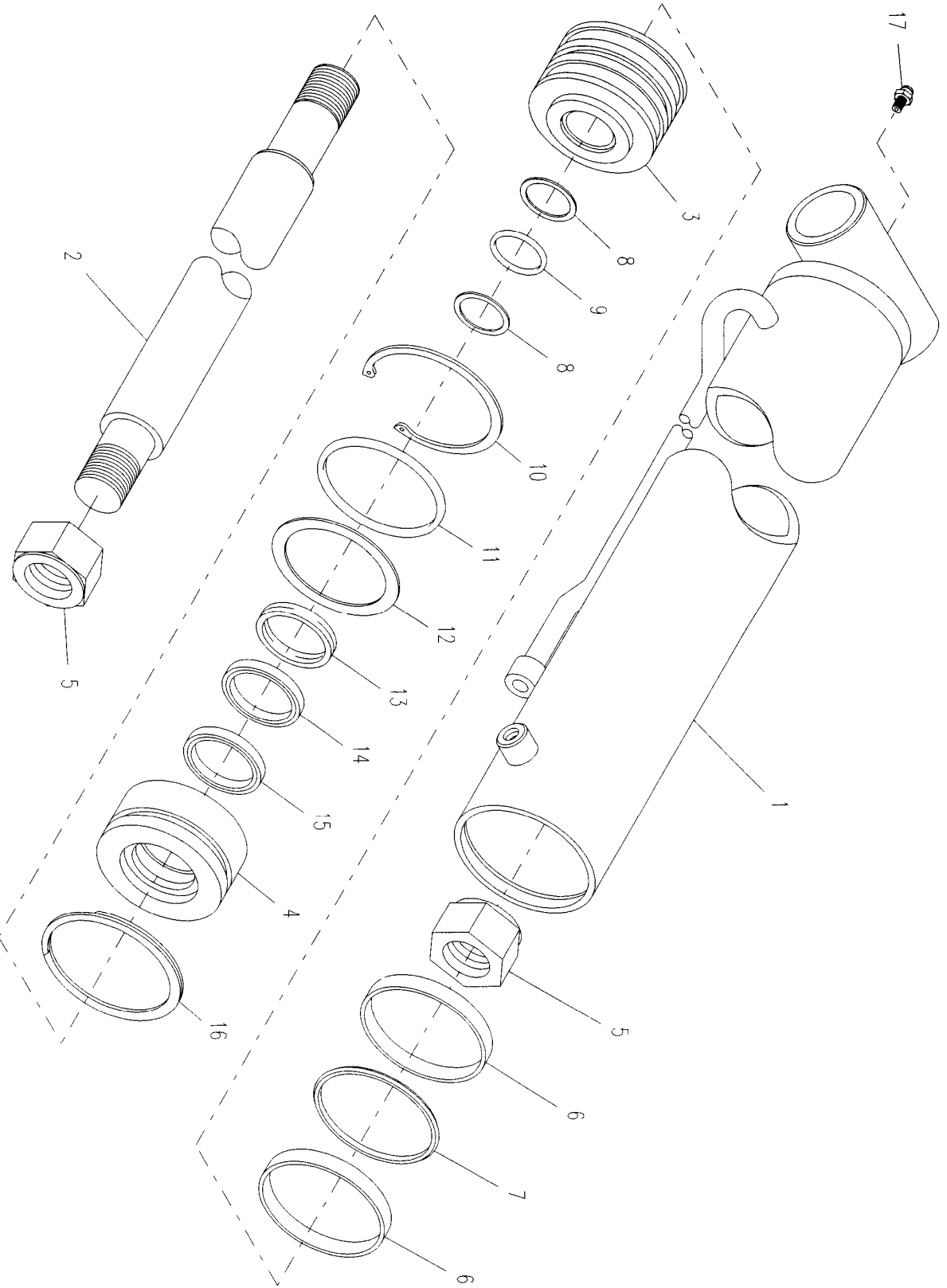
### ELECTRICAL COMPONENTS W/O EMERGENCY LIGHTS



WIRE COLOR	FUNCTION
WHITE	GROUND
BROWN	CLEARANCE
GREEN	RH STOP/TURN
YELLOW	LH STOP/TURN
BLACK	BACK-UP
BLUE	AUX
PURPLE	FLOOD
GRAY	BEACON (ROTATOR)
ORANGE	AUX1 (FLASHER)
LT BLUE/BLACK	OPTIONAL
LT BLUE	AUX2
RED	AUX POWER

**ROLLBACK CYLINDER**

332000074



**PARTS LIST — ROLLBACK CYLINDER**

**3320000074**

<b>Ref. No.</b>	<b>Part No.</b>	<b>Description</b>	<b>Qty.</b>
1	3071000068	Barrel Weldment	1
2	4763000093	Rod	1
3	4698000009	Piston	1
4	4553000010	Head	1
5	7660342031	Locknut	2
6	7796000013*	Wear Ring	2
7	7796000064*	Locking "T" Seal	1
8	7755226609*	Back-up Ring	2
9	7755226000*	"O" Ring	1
10	7754000016*	Retaining Ring	1
11	7755338000*	"O" Ring	1
12	7755338609*	Back-up Ring	1
13	7754000012*	Wear Ring	1
14	7796000025*	Rod Seal	1
15	7796000011*	Rod Wiper Seal	1
16	7754000027*	Retaining Ring	1
17	7440030000	Grease Fitting	1

\*Available only in Service Kit #7577250025



4.69

Rev. \_\_\_\_\_

Date \_\_\_\_\_

**PARTS LIST — ROLLBACK CYLINDER**

**332000090**

<b>Ref. No.</b>	<b>Part No.</b>	<b>Description</b>	<b>Qty.</b>
1	3071000084	Barrel Weldment	1
2	4763000242	Rod	1
3	4698000009	Piston	1
4	4553000010	Head	1
5	7660342031	Locknut	2
6	7796000013*	Wear Ring	2
7	7796000064*	Locking "T" Seal	1
8	7755226609*	Back-up Ring	2
9	7755226000*	"O" Ring	1
10	7754000016*	Retaining Ring	1
11	7755338000*	"O" Ring	1
12	7755338609*	Back-up Ring	1
13	7754000012*	Wear Ring	1
14	7796000025*	Rod Seal	1
15	7796000011*	Rod Wiper Seal	1
16	7754000027*	Retaining Ring	1
17	7440030000	Grease Fitting	1

\*Available only in Service Kit #7577250025



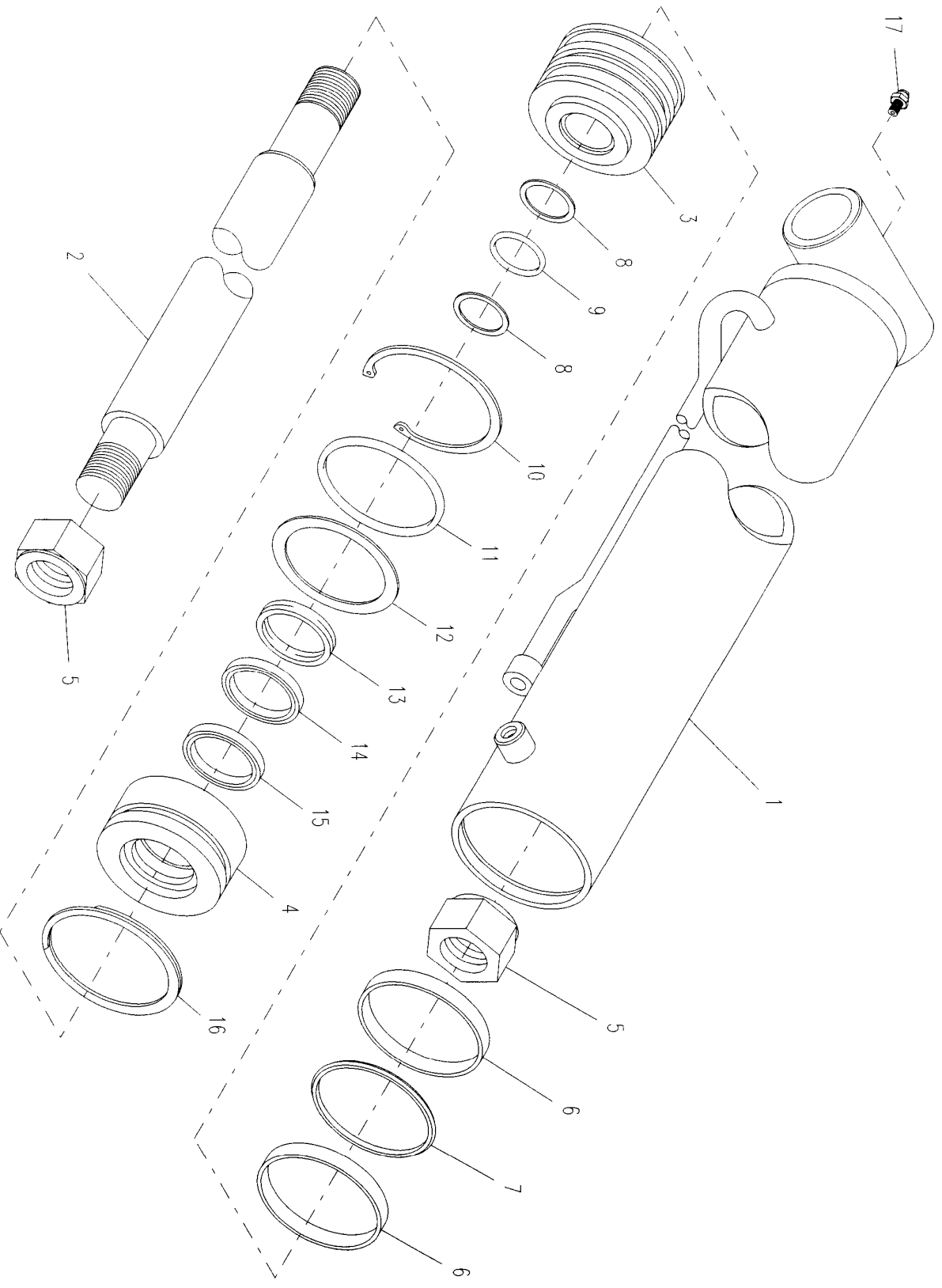
4.70

Rev. \_\_\_\_\_

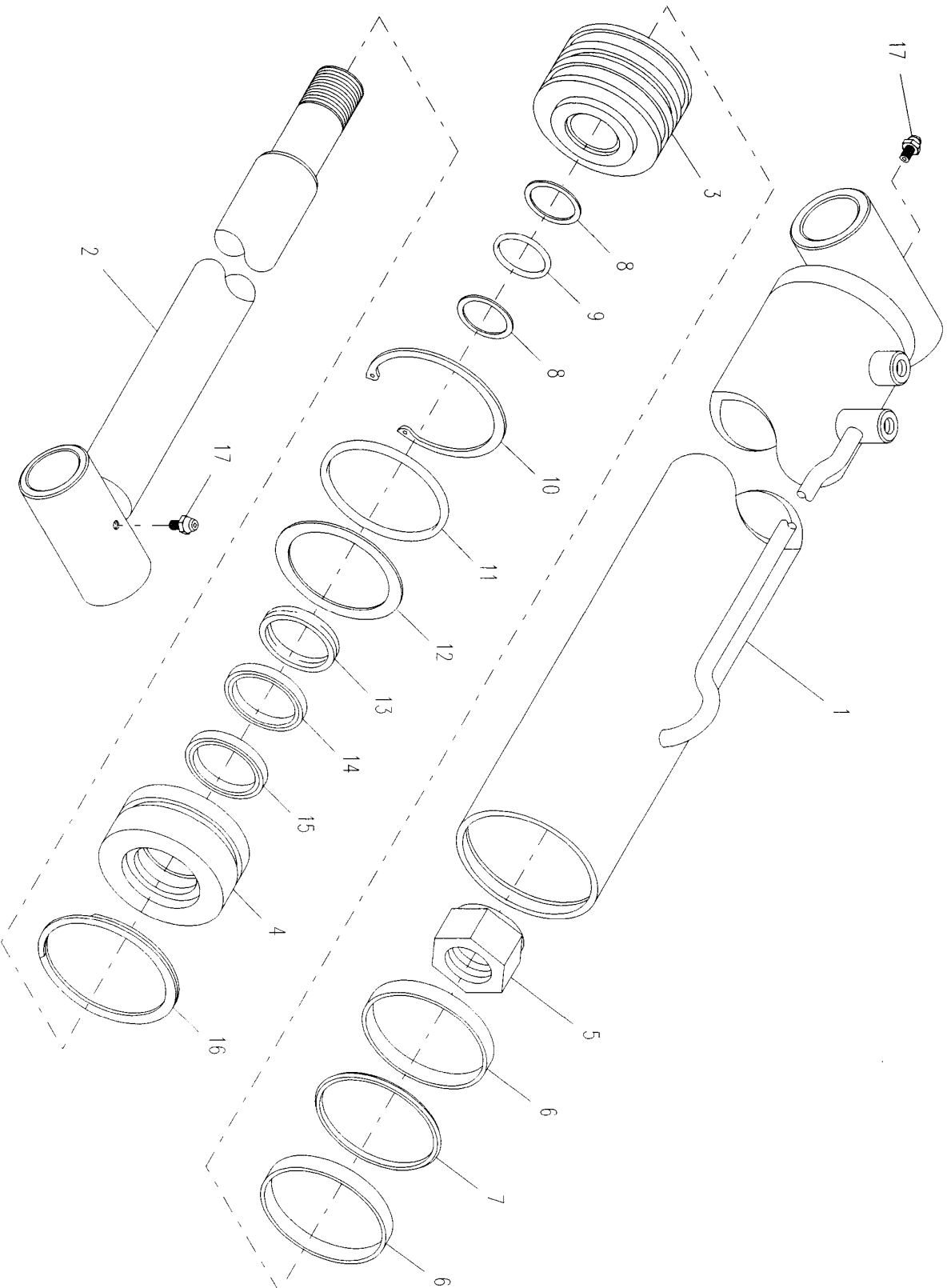
Date \_\_\_\_\_

# ROLLBACK CYLINDER

3320000090



**TILT CYLINDER**  
**332000092**



**PARTS LIST — TILT CYLINDER**

**332000092**

<b>Ref. No.</b>	<b>Part No.</b>	<b>Description</b>	<b>Qty.</b>
1	3071000086	Barrel Weldment	1
2	3763000101	Rod	1
3	4698000009	Piston	1
4	4553000010	Head	1
5	7660342031	Locknut	2
6	7796000013*	Wear Ring	2
7	7796000064*	Locking "T" Seal	1
8	7755226609*	Back-up Ring	2
9	7755226000*	"O" Ring	1
10	7754000016*	Retaining Ring	1
11	7755338000*	"O" Ring	1
12	7755338609*	Back-up Ring	1
13	7754000012*	Wear Ring	1
14	7796000025*	Rod Seal	1
15	7796000011*	Rod Wiper Seal	1
16	7754000027*	Retaining Ring	1
17	7440030000	Grease Fitting	1

\*Available only in Service Kit #7577250025



4.73

Rev. \_\_\_\_\_  
Date \_\_\_\_\_

**PARTS LIST — TILT CYLINDER**

**332000091**

<b>Ref. No.</b>	<b>Part No.</b>	<b>Description</b>	<b>Qty.</b>
1	3071000085	Barrel Weldment	1
2	3763000100	Rod	1
3	4698000009	Piston	1
4	4553000010	Head	1
5	7660342031	Locknut	2
6	7796000013*	Wear Ring	2
7	7796000064*	Locking "T" Seal	1
8	7755226609*	Back-up Ring	2
9	7755226000*	"O" Ring	1
10	7754000016*	Retaining Ring	1
11	7755338000*	"O" Ring	1
12	7755338609*	Back-up Ring	1
13	7754000012*	Wear Ring	1
14	7796000025*	Rod Seal	1
15	7796000011*	Rod Wiper Seal	1
16	7754000027*	Retaining Ring	1
17	7440030000	Grease Fitting	1

\*Available only in Service Kit #7577250025



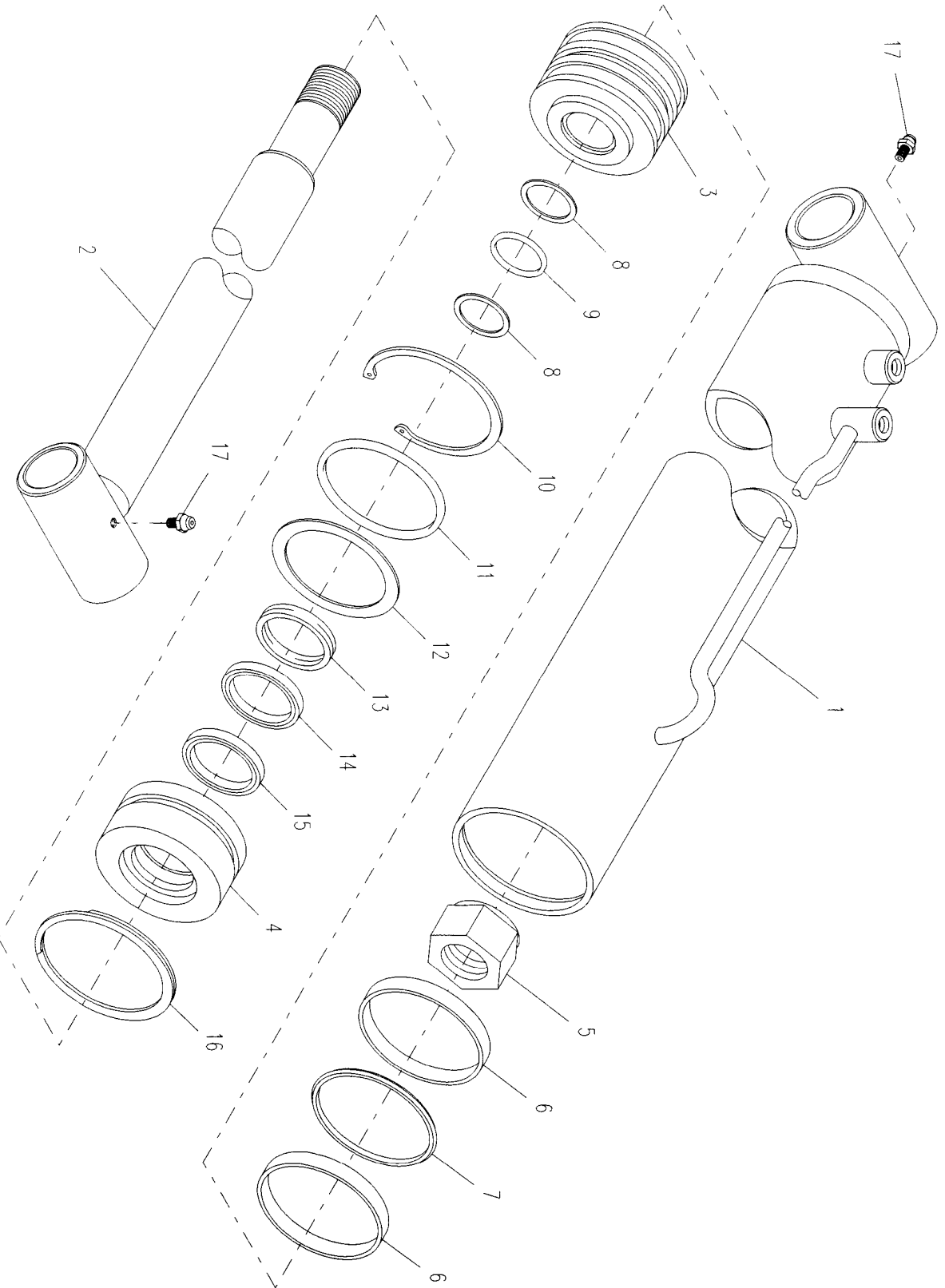
4.74

Rev. \_\_\_\_\_

Date \_\_\_\_\_

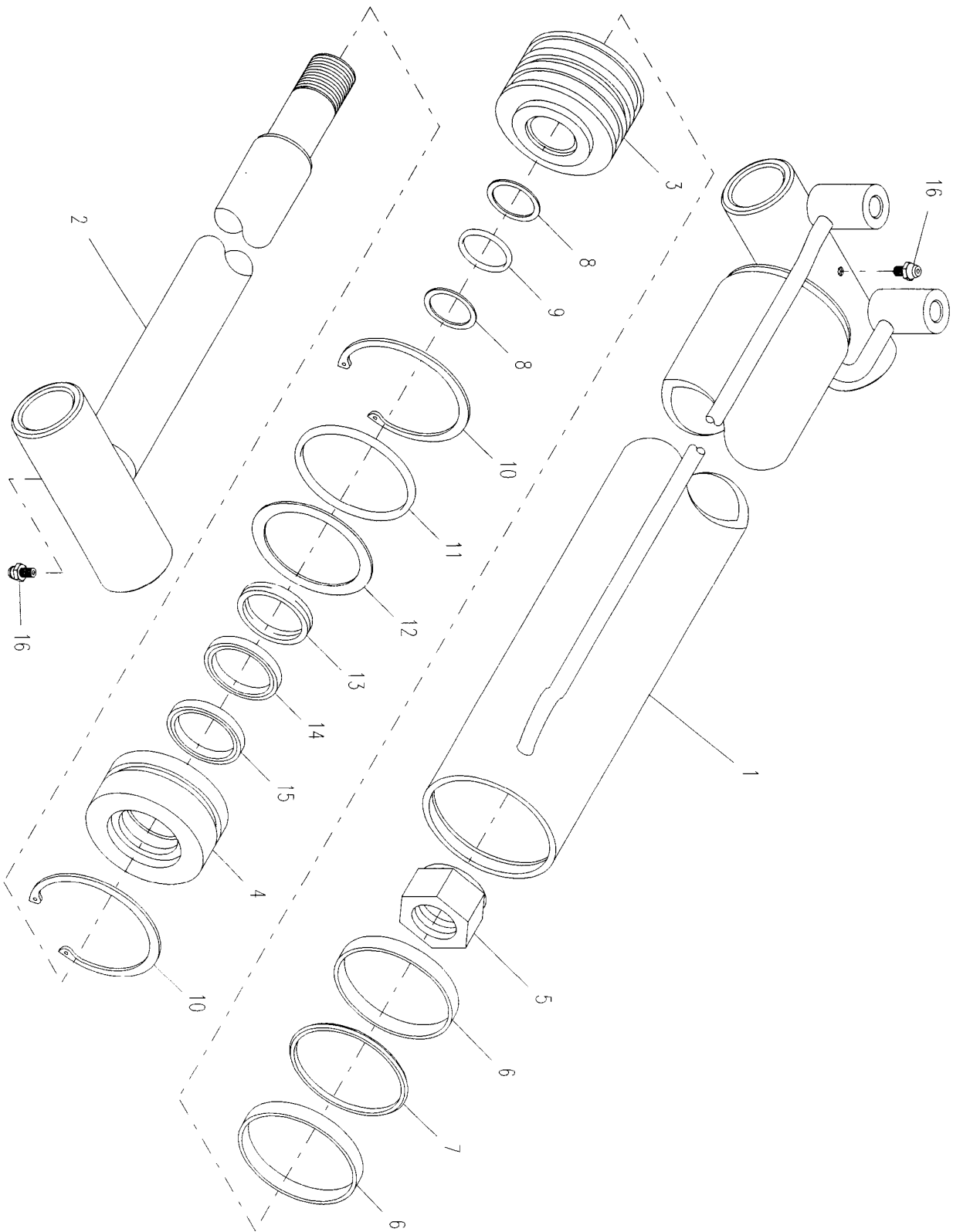
TILT CYLINDER

3320000091



# WHEELIFT EXTEND CYLINDER

332000064



4.76

**PARTS LIST — WHEELIFT EXTEND CYLINDER**

**3320000064**

<b>Ref. No.</b>	<b>Part No.</b>	<b>Description</b>	<b>Qty.</b>
1	3071000060	Barrel Weldment	1
2	3763000074	Rod Weldment	1
3	4698000015	Piston	1
4	4553000016	Head	1
5	7660262031	Locknut	1
6	7754000053*	Wear Ring	2
7	7796000067*	Locking "T" Seal	1
8	7755222609*	Back-up Ring	2
9	7755222000*	"O" Ring	1
10	7754000051*	Retaining Ring	2
11	7755330000*	"O" Ring	1
12	7755330609*	Back-up Ring	1
13	7754000054*	Wear Ring	1
14	7796000045*	Rod Seal	1
15	7796000046*	Rod Wiper Seal	1
16	7440030000	Grease Fitting	2

\*Available only in Service Kit #7577250206

**PARTS LIST — IRL CYLINDER 3000# WHEELIFT**

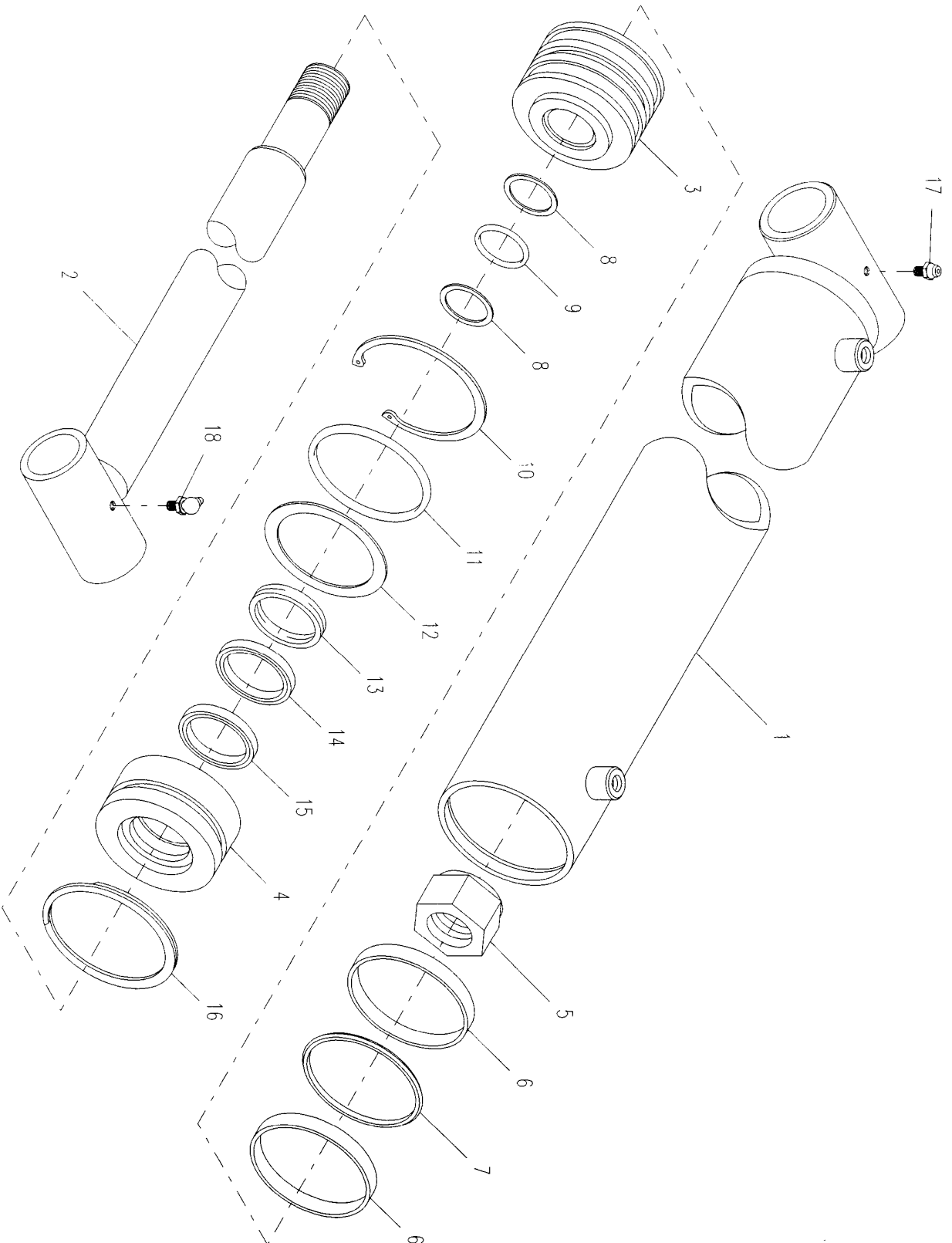
**3320000088**

<b>Ref. No.</b>	<b>Part No.</b>	<b>Description</b>	<b>Qty.</b>
1	3071000081	Barrel Weldment	1
2	3763000086	Rod Weldment	1
3	4698000007	Piston	1
4	4553000008	Head	1
5	7660262031	Locknut	1
6	7754000003*	Wear Ring	2
7	7796000063*	Locking "T" Seal	1
8	7755224609*	Back-up Ring	2
9	7755224000*	"O" Ring	1
10	7754000002*	Retaining Ring	1
11	7755334000*	"O" Ring	1
12	7755334609*	Back-up Ring	1
13	7754000004*	Wear Ring	1
14	7796000024*	Rod Seal	1
15	7796000008*	Rod Wiper Seal	1
16	7754000026*	Retaining Ring	1
17	7440030000	Grease Fitting	1
18	7440030200	Grease Fitting	1

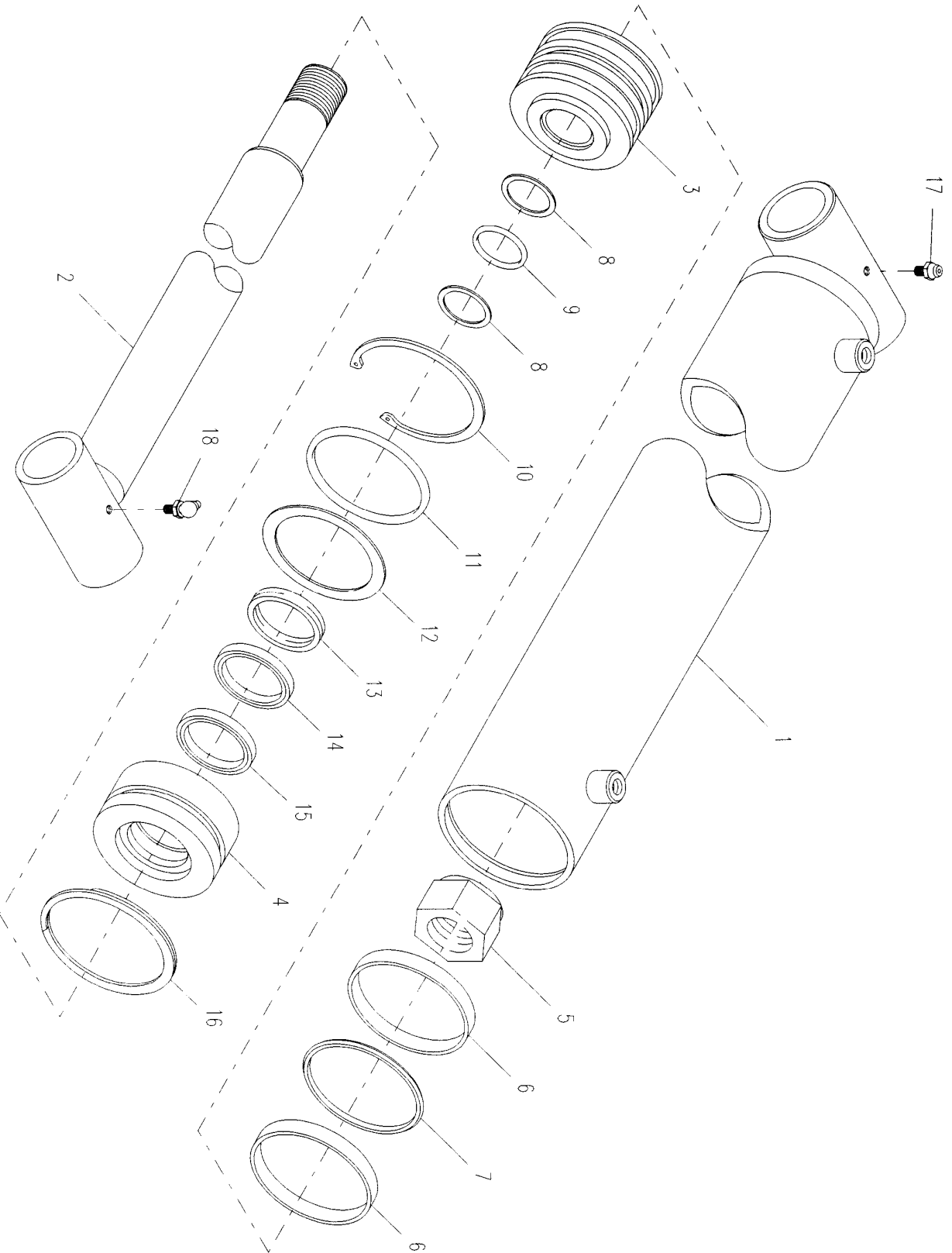
\*Available only in Service Kit #7577250024

IRL CYLINDER 3000# WHELLIFT

3320000088



IRL CYLINDER 4000# WHELLIFT  
332000097



**PARTS LIST — IRL CYLINDER 4000# WHEELLIFT**

**332000097**

<b>Ref. No.</b>	<b>Part No.</b>	<b>Description</b>	<b>Qty.</b>
1	3071000082	Barrel Weldment	1
2	3763000088	Rod Weldment	1
3	4698000007	Piston	1
4	4553000008	Head	1
5	7660262031	Locknut	1
6	7754000003*	Wear Ring	2
7	7796000063*	Locking "T" Seal	1
8	7755224609*	Back-up Ring	2
9	7755224000*	"O" Ring	1
10	7754000002*	Retaining Ring	1
11	7755334000*	"O" Ring	1
12	7755334609*	Back-up Ring	1
13	7754000004*	Wear Ring	1
14	7796000024*	Rod Seal	1
15	7796000008*	Rod Wiper Seal	1
16	7754000026*	Retaining Ring	1
17	7440030000	Grease Fitting	1
18	7440030200	Grease Fitting	1

\*Available only in Service Kit #7577250024



4.81

Rev. \_\_\_\_\_  
Date \_\_\_\_\_

**PARTS LIST — IRL CYLINDER 5000# TOWBAR**

**332000084**

<b>Ref. No.</b>	<b>Part No.</b>	<b>Description</b>	<b>Qty.</b>
1	3071000078	Barrel Weldment	1
2	3763000091	Rod Weldment	1
3	4698000007	Piston	1
4	4553000008	Head	1
5	7660262031	Locknut	1
6	7754000003*	Wear Ring	2
7	7796000063*	Locking "T" Seal	1
8	7755224609*	Back-up Ring	2
9	7755224000*	"O" Ring	1
10	7754000002*	Retaining Ring	1
11	7755334000*	"O" Ring	1
12	7755334609*	Back-up Ring	1
13	7754000004*	Wear Ring	1
14	7796000024*	Rod Seal	1
15	7796000008*	Rod Wiper Seal	1
16	7754000026*	Retaining Ring	1
17	7440030000	Grease Fitting	1
18	7440030200	Grease Fitting	1

\*Available only in Service Kit #7577250024



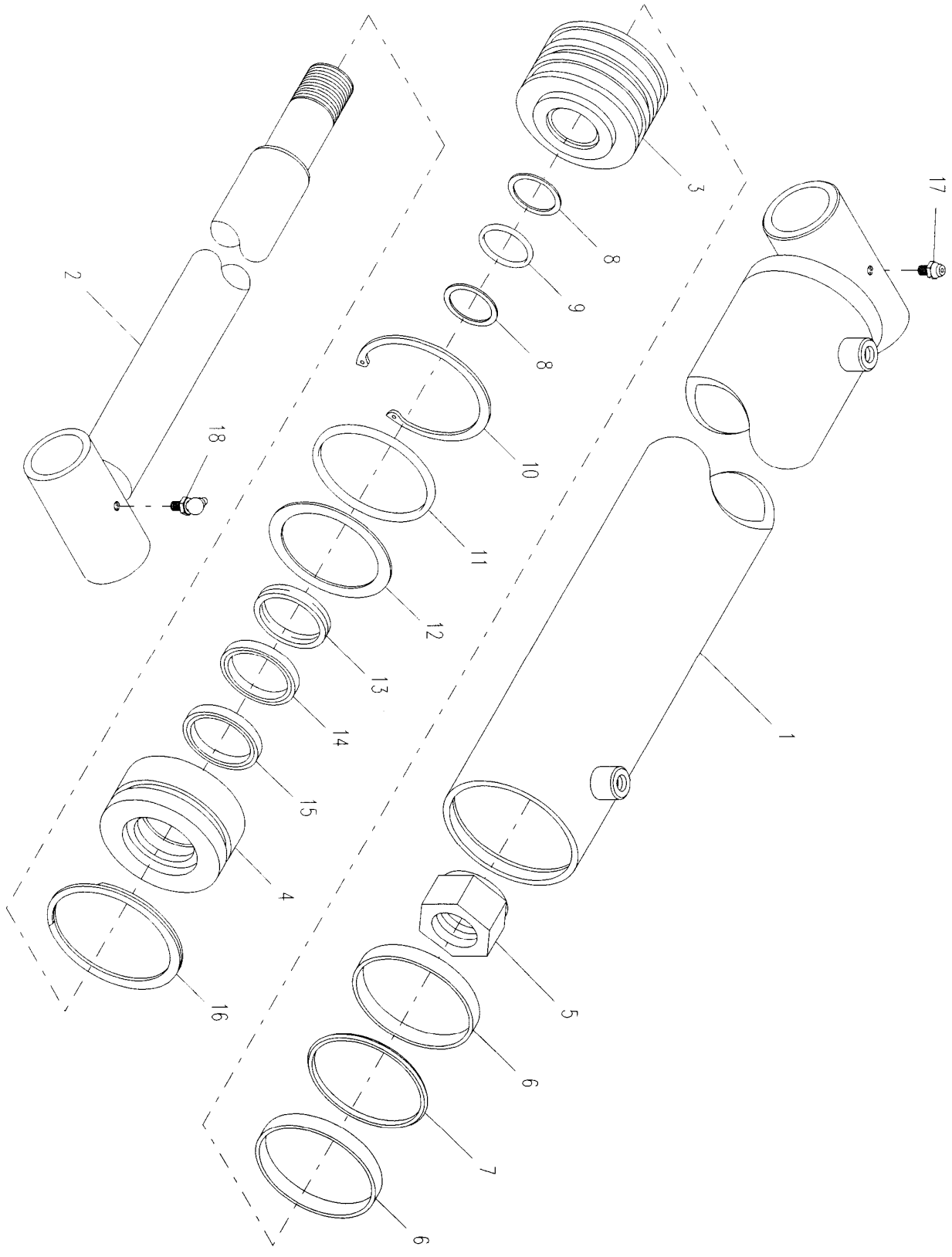
4.82

Rev. \_\_\_\_\_

Date \_\_\_\_\_

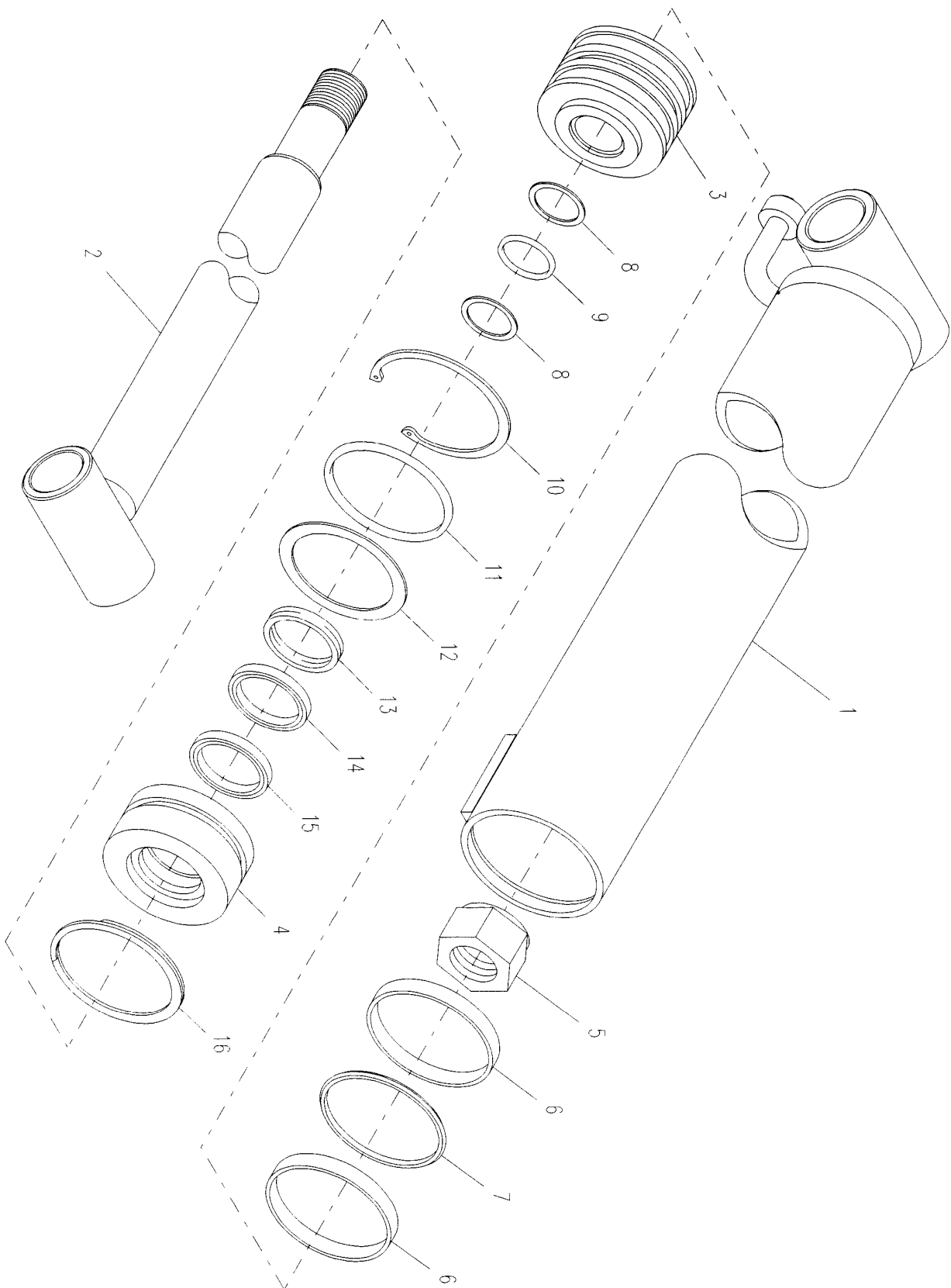
IRL CYLINDER 5000# TOWBAR

3320000084



EXTENSION CYLINDER

3320000020



**PARTS LIST — EXTENSION CYLINDER**

**332000020**

<b>Ref. No.</b>	<b>Part No.</b>	<b>Description</b>	<b>Qty.</b>
1	3071000020	Barrel Weldment	1
2	3763000035	Rod Weldment	1
3	4698000007	Piston	1
4	4553000008	Head	1
5	7660262031	Locknut	1
6	7754000003*	Wear Ring	2
7	7796000063*	Locking "T" Seal	1
8	7755224609*	Back-up Ring	2
9	7755224000*	"O" Ring	1
10	7754000002*	Retaining Ring	1
11	7755334000*	"O" Ring	1
12	7755334609*	Back-up Ring	1
13	7754000004*	Wear Ring	1
14	7796000024*	Rod Seal	1
15	7796000008*	Rod Wiper Seal	1
16	7754000026*	Retaining Ring	1
17	7440030000	Grease Fitting	1
18	7440030200	Grease Fitting	1

\*Available only in Service Kit #7577250024



4.85

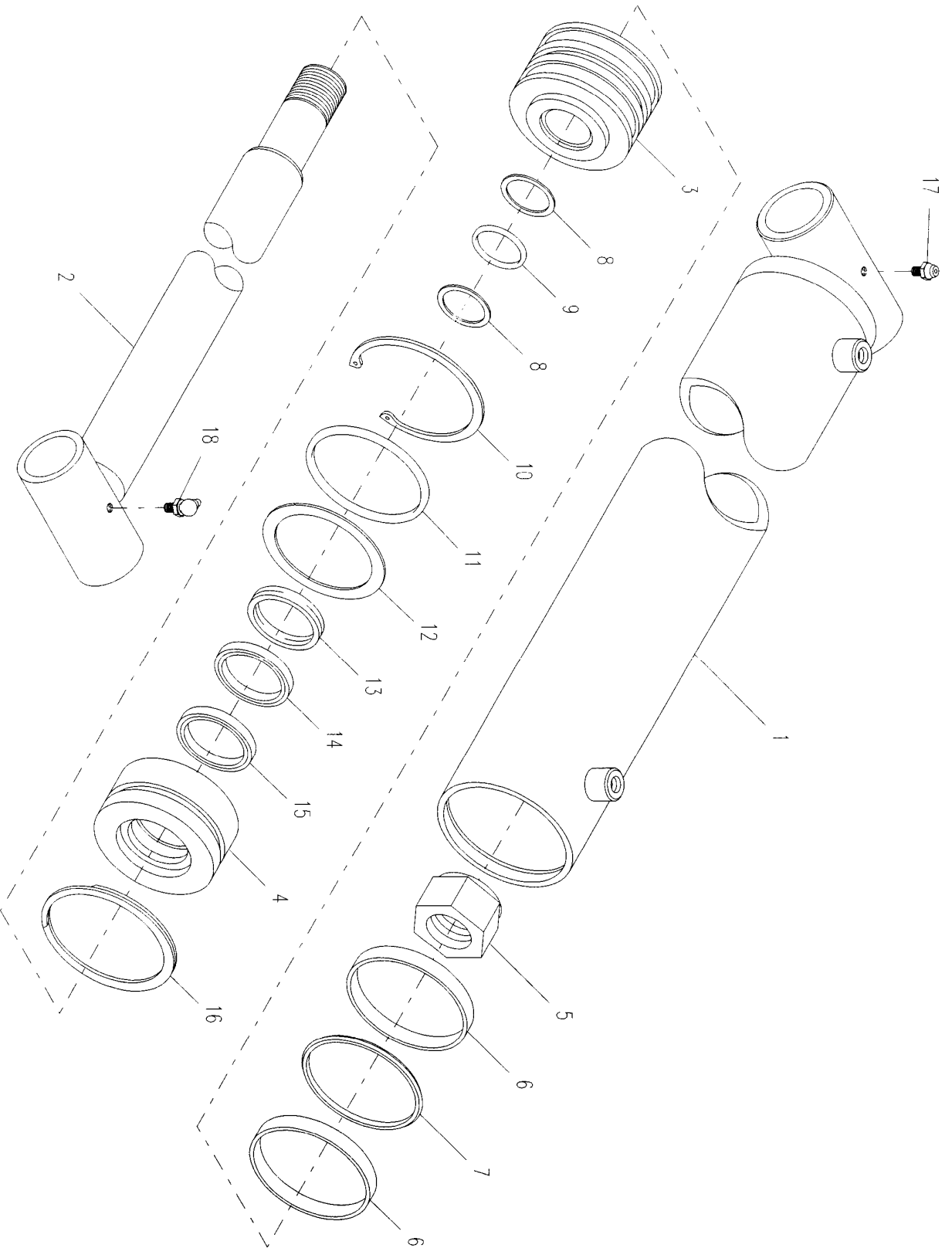
Rev. \_\_\_\_\_  
Date \_\_\_\_\_

**PARTS LIST — STABILIZER CYLINDER  
3320000089**

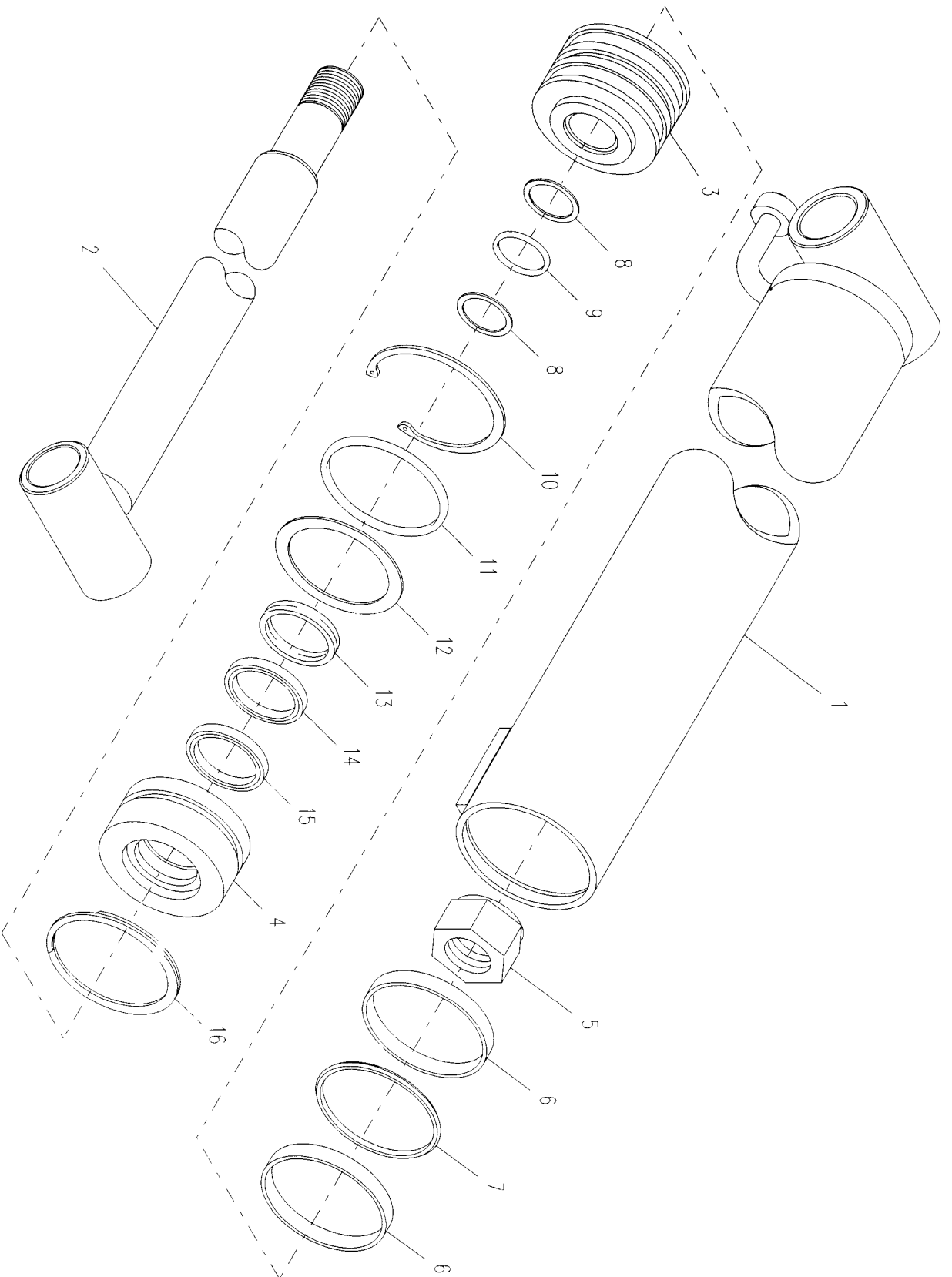
<b>Ref. No.</b>	<b>Part No.</b>	<b>Description</b>	<b>Qty.</b>
1	3071000083	Barrel Weldment	1
2	3763000099	Rod Weldment	1
3	4698000009	Piston	1
4	4553000010	Head	1
5	7661000035	Locknut	1
6	7796000013*	Wear Ring	2
7	7796000064*	Locking "T" Seal	1
8	7755226609*	Back-up Ring	2
9	7755226000*	"O" Ring	1
10	7754000016*	Retaining Ring	1
11	7755338000*	"O" Ring	1
12	7755338609*	Back-up Ring	1
13	7754000012*	Wear Ring	1
14	7796000025*	Rod Seal	1
15	7796000011*	Rod Wiper Seal	1
16	7754000027*	Retaining Ring	1
17	7440030000	Grease Fitting	2

\*Available only in Service Kit #7577250025

**STABILIZER CYLINDER**  
3320000089



**STABILIZER TOW OPTION EXTEND CYLINDER**  
3320000086



**PARTS LIST — STABILIZER TOW OPTION EXTEND CYLINDER  
332000086**

<b>Ref. No.</b>	<b>Part No.</b>	<b>Description</b>	<b>Qty.</b>
1	3071000080	Barrel Weldment	1
2	3763000097	Rod Weldment	1
3	4698000007	Piston	1
4	4553000008	Head	1
5	7661000034	Locknut	1
6	7754000003*	Wear Ring	2
7	7796000063*	Locking "T" Seal	1
8	7755224609*	Back-up Ring	2
9	7755224000*	"O" Ring	1
10	7754000002*	Retaining Ring	1
11	7755334000*	"O" Ring	1
12	7755334609*	Back-up Ring	1
13	7754000004*	Wear Ring	1
14	7796000024*	Rod Seal	1
15	7796000008*	Rod Wiper Seal	1
16	7754000026	Retaining Ring	1
17	7440030000	Grease Fitting	2

Note: Item #17 not shown

\*Available only in Service Kit #7577250024

**PARTS LIST — STABILIZER W/ TOW OPTION  
3320000099**

<b>Ref. No.</b>	<b>Part No.</b>	<b>Description</b>	<b>Qty.</b>
1	3071000095	Barrel Weldment	1
2	3763000099	Rod Weldment	1
3	4698000009	Piston	1
4	4553000010	Head	1
5	7661000035	Locknut	1
6	7796000013*	Wear Ring	2
7	7796000064*	Locking "T" Seal	1
8	7755226609*	Back-up Ring	2
9	7755226000*	"O" Ring	1
10	7754000016*	Retaining Ring	1
11	7755338000*	"O" Ring	1
12	7755338609*	Back-up Ring	1
13	7754000012*	Wear Ring	1
14	7796000025*	Rod Seal	1
15	7796000011*	Rod Wiper Seal	1
16	7754000027*	Retaining Ring	1
17	7440030000	Grease Fitting	2

\*Available only in Service Kit #7577250025



4.90

Rev. \_\_\_\_\_

Date \_\_\_\_\_

STABILIZER W/ TOW OPTION CYLINDER  
332000099

